

Relays & Solenoids

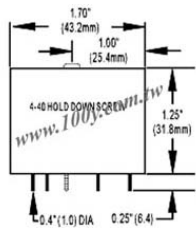
Plug-In Interface DC To AC Solid State Relays

Detailed product specifications are available on: us.100y.com.tw

Description

DC output modules are used for controlling or switching DC loads. Each module provides 4,000 Vrms of optical isolation between the field devices and the control logic. Typical uses and applications for DC output modules include switching the following loads:

- DC Relays
- DC Motor starters
- PLC Logic
- DC Solenoids
- DC Lamps or indicators

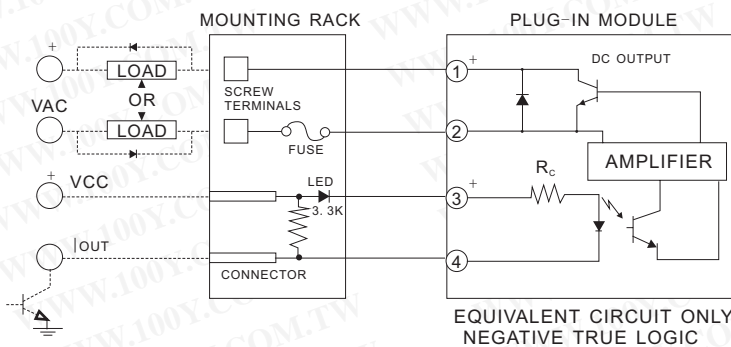
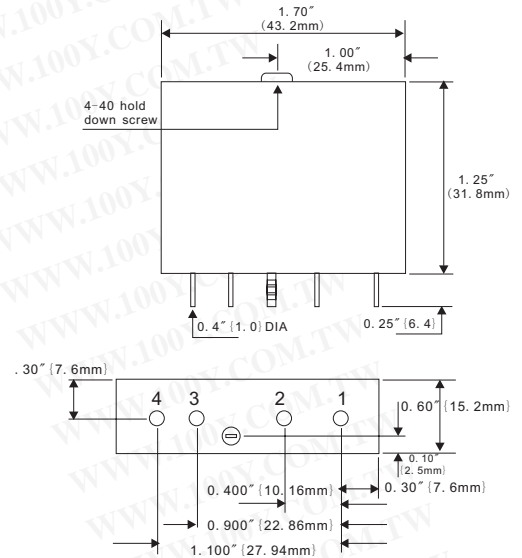


Features

- Rugged construction
- 4,000 Vrms of optical isolation between the field devices and the control logic

Specifications

One-second Surge	5 A
Operating Ambient Temperature	-30 °C to 70 °C
Isolation Input-to-Output	4,000 Vrms
Turn-on Time	50 μs (100 μs for ODC5A, ODC15A, ODC24A)
Turn-off Time	50 μs (750 μs for ODC5A, ODC15A, ODC24A)
Output Voltage Drop Maximum Peak	1.6 volts



Part No.	Product No.	Manufacturer	Description	Vin	Irms	Vrms
40803	ODC15	OPTO22	Standard DC Output Modules	5 - 60VDC	5A	15DC

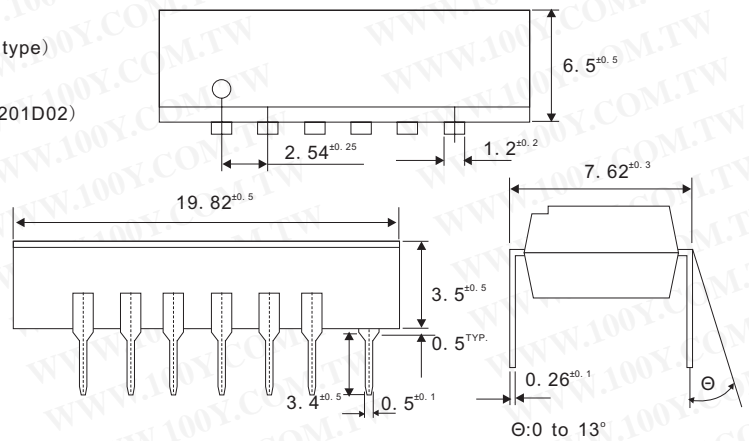
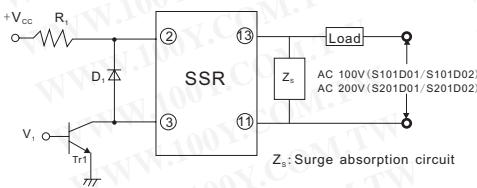
FEATURES

1. Compact (16-pin dual-in-line package type)
2. RMS ON-state current IT: 1.2Arms
3. Built-in zero-cross circuit (S101D02, S201D02)
4. Recognised by UL, file No. E94758
5. Approved by CSA, No. LR63705

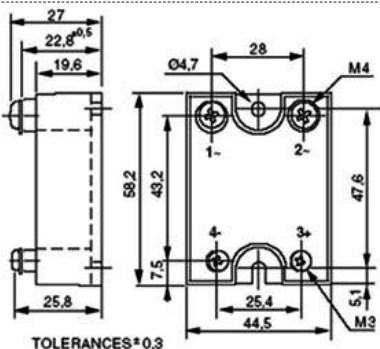
APPLICATIONS

1. Fan heaters
2. Microwave ovens
3. Refrigerators
4. Air conditioners

Basic operation circuit



Part No.	Product No.	Manufacturer	Description	Vin	Irms	Vrms	Switching Type
13226	S201D02	SHARP	SSR For Low Power	1.2V	1.2A	4000Vrms	Zero-cross circuit



- 24-520VAC -25A Zero-Cross AC Output.
- IP20 Protection optional (1K460000).
- Designed for all types of loads.



Part No.	Product No.	Manufacturer	Description	Vin	Irms	Vrms
30505	SC862110	Celduc	celduc_Power Solid State Relay	400VAC	25A	24-520VAC

