



# Relays & Solenoids

## Plug-In Interface DC To AC Solid State Relays

Detailed product specifications are available on: [us.100y.com.tw](http://us.100y.com.tw)

**SPECIFICATIONS**

Model No.	Control voltage range	Must turn off voltage	Input Impedance	Max load current	Load voltage range	Min blocking voltage	Max off-state leakage	Frequency range	MAX 1-CYCLE PEAK SURGE
KB20C02A	3 TO 32 VDC	MAX1.0VDC	1.5Kohm	2A	24-280VAC	600VAC	LESS 5 mA	47-70HZ	30A
KB20C03A	3 TO 32 VDC	MAX1.0VDC	1.5Kohm	3A	24-280VAC	600VAC	LESS 5 mA	47-70HZ	40A
KB20C04A	3 TO 32 VDC	MAX1.0VDC	1.5Kohm	4A	24-280VAC	600VAC	LESS 5 mA	47-70HZ	50A
KB20C06A	3 TO 32 VDC	MAX1.0VDC	1.5Kohm	6A	24-280VAC	600VAC	LESS 5 mA	47-70HZ	60A

Model NO.	Isolation Impedence	Dielectric strength input-output	Dielectric strength input output-case	Turn-on time	Turn-off time	Capacitance in-out	Weight (g)
KB20C02A	10 <sup>9</sup> ohm	4000 VACrms	—	LESS 2 mSec	LESS ½ AC cycle	LESS 15 PF	10g
KB20C03A	10 <sup>9</sup> ohm	4000 VACrms	—	LESS 2 mSec	LESS ½ AC cycle	LESS 15 PF	12g
KB20C04A	10 <sup>9</sup> ohm	4000 VACrms	—	LESS 2 mSec	LESS ½ AC cycle	LESS 15 PF	12g
KB20C06A	10 <sup>9</sup> ohm	4000 VACrms	—	LESS 2 mSec	LESS ½ AC cycle	LESS 15 PF	12g

Part No.	Product No.	Manufacturer	Description	Vin	Irms	Vrms	Switching Type
6341	KB20C02A	KYOTT O	DC-AC SSR	3-32Vdc	2A	24-280Vac	Zero Cross
3415	KB20C03A	KYOTTO	DC-AC SSR	3-32Vdc	3A	24-280Vac	ZERO-CROSS
2757	KB20C04A	KYOTTO	DC-AC SSR	3-32Vdc	4A	24-280Vac	ZERO-CROSS
39304	KB20C06A	KYOTTO	DC-AC SSR	3-32Vdc	6A	24-280Vac	ZERO-CROSS



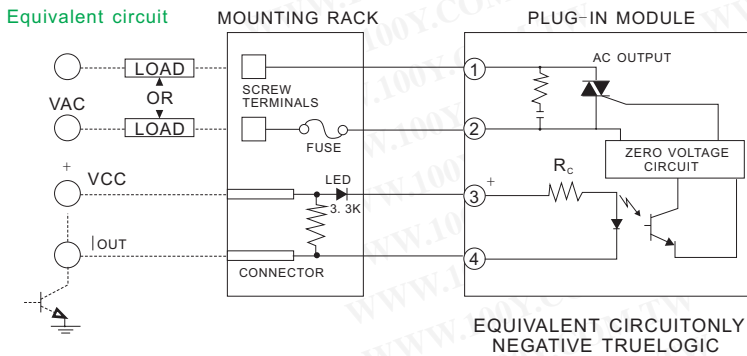
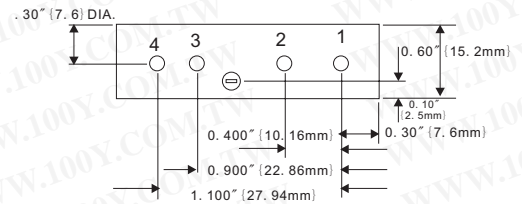
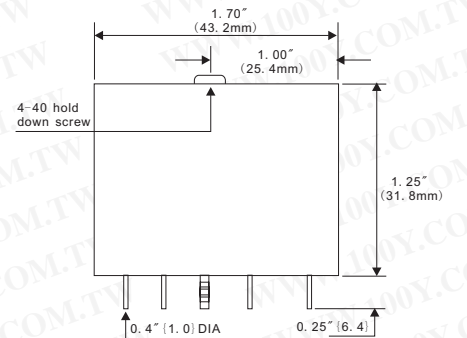
AC output modules are used for controlling or switching AC loads. Each module provides 4,000 Vrms of optical isolation between the field devices and the control logic. With the exception of the OAC5A5 module, all AC output modules are equivalent to a single pole, single throw, normally open contact (FORM A, SPST-NO, Make). The OAC5A5 is equivalent to a single pole, single throw, normally closed contact (FORM B, SPST-NC, Break). All AC output modules feature zero voltage turn-on and zero current turn-off.

**Specifications**

UL Motor Load Rating	1.5 amps
One Cycle Surge	80 amps peak
Peak Repetitive Voltage	500 Volts
Operating Ambient Temperature	-30° to 70° C
Isolation Input-to-Output	4,000 Vrms
Minimum Load Current	20 milliamps
Operating Frequency	25 - 65 Hz
Turn-on Time	1/2 cycle maximum-zero voltage
Turn-off Time	1/2 cycle maximum-zero current
DV/DT - Off-State	200 volts/microseconds
DV/DT - Commutating	Snubbed for rated 0.5 power factor load
Output Voltage Drop Maximum Peak	1.6 volts

Typical uses and applications for AC output modules include switching the following loads:

- Relays
- Solenoids
- Lamps or Indicators
- Motor Starters
- Heaters



Part No.	Product No.	Manufacturer	Description	Vin	Irms	Vrms	Switching Type
14267	OAC24	OPTO22	OPTO 22_I/O Module-AC Output	18-32VDC	thereinafter 45° 3A 70°:2A	12-140VAC	ZERO

