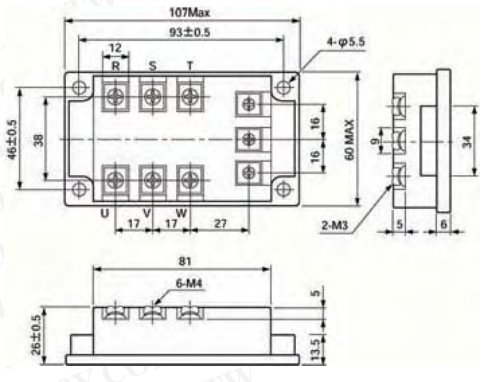
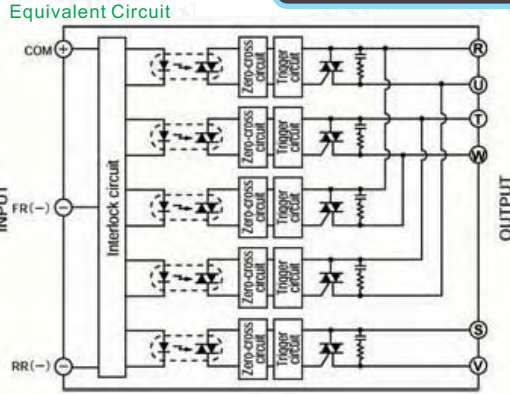




Relays & Solenoids

3 Phase Solid State Relays

Detailed product specifications are available on: us.100y.com.tw



Features

- AC200/3 phase inductive motor for forward/reverse control
- Panel mounting type
- Dielectric strength between input and output at 2,500V/1 min.
- Built-in interlock circuit

ZC: zero-cross circuit (zero-cross circuit application)

Part No.	Product No.	Manufacturer	Description	Vin	Irms	Vrms	Switching Type
37158	FRMS11-215H	JEL	JEL_AC Reversible Motor SSR	DC21-26.5V	15A	AC180~242V	Zero-cross-circuit



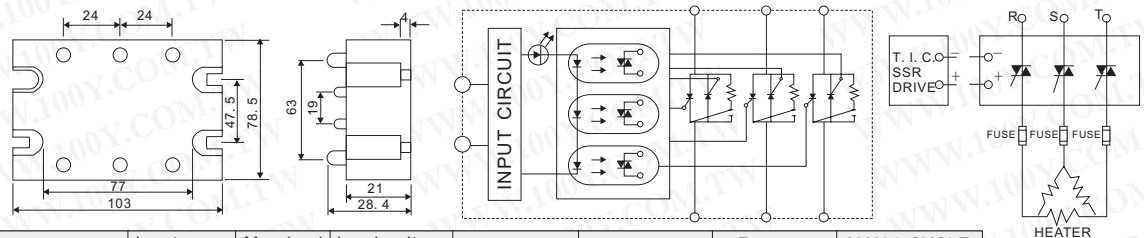
- Downsizing achieved through optimum design of heat sink.
- Mounting possible via screws or via DIN rail.
- Dense mounting possible for linking terminals.(Except for G3PA-260B-VD.)
- Applicable with 3-phase loads.
- Replaceable power element cartridges.
- Conforms to VDE 0160 (finger protection), with a dielectric strength of 4,000 V between input and load. (see note)
- Conforms to VDE 0805, IEC 950. (see note)



Characteristics

Operate time	1/2 of load power source cycle + 1 ms max. (DC Input, -B models) 1 1/2 of load power source cycle + 1 ms max. (AC Input) 1 ms max. (-BL models)
Release time	1/2 of load power source cycle + 1 ms max. (DC Input) 1 1/2 of load power source cycle + 1 ms max. (AC Input)
Insulation resistance	100 MΩ min. (at 500 VDC)
Dielectric strength	4,000 VAC, 50/60 Hz for 1 min
Vibration resistance	Malfunction: 10 to 55 Hz, 0.75-mm double amplitude (mounted to DIN rail)
Shock resistance	Malfunction: 300 m/s ² (approx. 30G) (mounted to DIN rail)
Ambient temperature	Operating: -30°C to 80°C (with no icing) Storage: -30°C to 100°C (with no icing)
Ambient humidity	Operating: 45% to 85%

Part No.	Product No.	Manufacturer	Description	Vin	Irms	Vrms	Switching Type
45014	G32A-A20-VD-DC5-24	OMRON	3-phass Solid State Relays	5-24VDC	20A	24~240VAC	Zero-Cross



Model No.	Control voltage range	Must turn off voltage	Input Impedance	Max load current	Load voltage range	Min blocking voltage	Max off-state leakage	Frequency range	MAX 1-CYCLE PEAK SURGE
K3PH40C25DA	12 TO 32 VDC	MAX9. 5VDC	1. 5Kohm	25A	48~480VAC	1200VAC	LESS 10 mA	47~63HZ	315A
K3PH40C40DA	12 TO 32 VDC	MAX9. 5VDC	1. 5Kohm	40A	48~480VAC	1200VAC	LESS 10 mA	47~63HZ	450A
K3PH40C50DA	12 TO 32 VDC	MAX9. 5VDC	1. 5Kohm	50A	48~480VAC	1200VAC	LESS 10 mA	47~63HZ	560A

Model NO.	Isolation Impedence	Dielectric strength input-output	Dielectric strength input output-case	Action time	Release time	Capacitance in-out	Weight (g)
K3PH40C25DA	10 ⁹ ohm	2500 Vrms	2500 Vrms	LESS ½ mSec	LESS ½ cycle	LESS 473pf	600g
K3PH40C40DA	10 ⁹ ohm	2500 Vrms	2500 Vrms	LESS ½ mSec	LESS ½ cycle	LESS 473pf	600g
K3PH40C50DA	10 ⁹ ohm	2500 Vrms	2500 Vrms	LESS ½ mSec	LESS ½ cycle	LESS 473pf	600g

Part No.	Product No.	Manufacturer	Description	Vin	Irms	Vrms	Switching Type
32011	K3PH40C25DA	KYOTTO	Surface form 3-phass Solid State Relays		25A		Zero-Cross
32012	K3PH40C40DA	KYOTTO	Surface form 3-phass Solid State Relays		40A		Zero-Cross
14364	K3PH40C50DA	KYOTTO	3 Phass Solid State Relays	12~32VDC	50A	48~480VAC	Zero-Cross



T E L : Taiwan : 886-3-5753170
 F A X : Taiwan : 886-3-5753172
 E-mail : Taiwan : us_sale@100y.com.tw

Shenzhen : 86-755-83298787
 Shenzhen : 86-755-83640655
 Shenzhen : 100y@163.com

Shanghai : 86-21-54151736
 Shanghai : 86-21-64605107
 Shanghai : 100y-1@163.com