



Relays & Solenoids

Surface Mounting Power DC To AC Solid State Relays

Detailed product specifications are available on: us.100y.com.tw

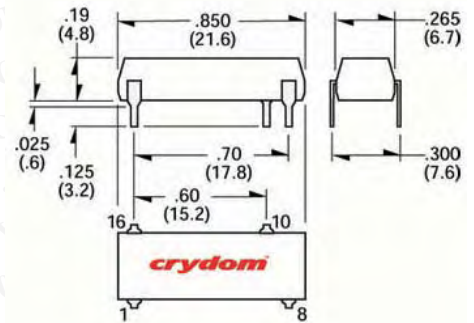


GENERAL SPECIFICATIONS

Dielectric Strength ②	3750 Vrms
Insulation Resistance (Min.) @ 500 Vdc ②	10 ⁹ Ohm
Max. Capacitance, Input-Output	2.0 pF
Ambient Operating Temperature Range	-30 to 80°C
Ambient Storage Temperature Range	-30 to 125°C

MECHANICAL SPECIFICATIONS

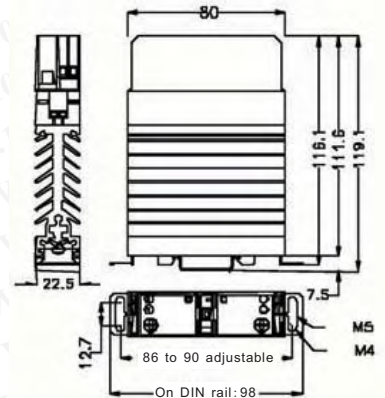
Weight: (typical)	.10 oz. (2.9 g)
Encapsulation:	Thermally Conductive Epoxy



Part No.	Product No.	Manufacturer	Description	Vin drive voltage	Irms Load current	Vrms Load voltage	Switching Type
35931	SDI2415	Crydom	DC-AC Solid-state Relay		1.5Arms	280 Vrms	AC
35926	SDV2415	Crydom	DC-AC Solid-state Relay	3.5-10 Vdc	1.5Arms	280Vrms	AC



- Ready to use Single-Phase Relay: " Install it & Forget it!"
- Zero cross model : 12-275VAC 25A alternistor on output.
I2t value > 312A²s .
- Large control range : 3-32VDC with an input current < 10 mA on all the range.
Green LED visualization on the input.
- Very high immunity : Voltage protection on output and input- 4kV according IEC61000-4-4 & 5
- IP20 housing
- Low leakage current (<1mA) and low zero cross voltage (<10V)
- Mounting and dismounting on DIN rail without any tool or directly mountable on panel.
- Designed in conformity with EN60947-4-3 (IEC947-4-3)-UL-cUL



Part No.	Product No.	Manufacturer	Vin drive voltage	Irms Load current	Vrms Load voltage
40993	SIL842170	Celduc	3-32VAC	25A	275VAC



Features:

- All solid state, optically coupled for 205VAC isolation between input and output circuit
- Load current ranges from 10 to 40 amperes.
- Able to be driven by IC such a TTL, DTL, & CMOS.
- Internally mounted snubber circuit protection for huge current (dv/dt) application.
- A LED can detect the operating device.
- Long service life and high reliability.

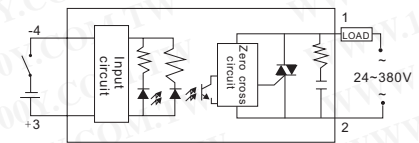
Part No.	Product No.	Description	Vin drive voltage	Irms Load current	Vrms Load voltage	Switching Type
38142	SS2440DZ	DC to AC Solid State Relays (SSR)	4~32VDC	40A	70~240VAC	Zero-Cross



- High reliability by S. M. T. & T. Q. C. (Surface mounting technology)
- High Isolation over than 50MΩ/500VDC
- High Dielectric over than 2.5KV
- Low enable current less than 7.5mA/12VDC
C MOS IC or TTL Compatible
- Low EMI/EFI & surge by zero cross trigger method
- High Surge current duration over 10 Times of rated current/one cycle
- High surge voltage duration by snubber circuit

General Data

Dielectric Strength	Over 2.5KVAC / 1min.
Isolation Strength	Over 50M Ω / 500VDC
Operating Temperature	-20°C ~+80°C
Housing Material	Intensive ABS
Weight	Appr. 105g



Part No.	Product No.	Manufacturer	Description	Vin drive voltage	Irms Load current	Vrms Load voltage	Switching Type
30744	SSR-40D A	FOTEK	FOTEK_SOLID STATE RELAY	3~32VDC	40A	24~380VAC	SSR
40726	SSR-50 DA	FOTEK	FOTEK_SOLID STATE RELAY	3~32VDC	50A	24~380VAC	SSR
42920	SSR-7 5DA	FOTEK	FOTEK_Surface Mounting Power DC-AC SSR Solid-state Relay	3~32VDC	75A	24~380VAC	SSR



Surface Mounting Power DC-AC SSR

Part No.	Product No.	Description	Vin drive voltage	Irms Load current	Vrms Load voltage
2707	SSR- VDC-40A	Surface Mounting Power DC-AC SSR	4~32Vdc	40A	24~380VAC

