



Relays & Solenoids

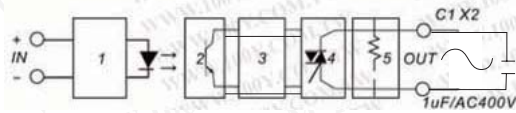
Surface Mounting Power DC To AC Solid State Relays

Detailed product specifications are available on: us.100y.com.tw

Part No.	Product No.	Manufacturer	Description	Vin drive voltage	Irms Load current	Vrms Load voltage	Switching Type
16174	KD20C25AX	KYOTTO	Surface Mounting Power DC-AC SSR	4~32VDC	25A	24~280VAC	Zero-Cross
6338	KD20C40AX	KYOTTO	Surface Mounting Power DC-AC SSR	4~32VDC	40A	24~280VAC	Zero-Cross
16082	KD20C75AX	KYOTTO	Surface Mounting Power DC-AC SSR	4~32VDC	75A	24~280VAC	Zero-Cross

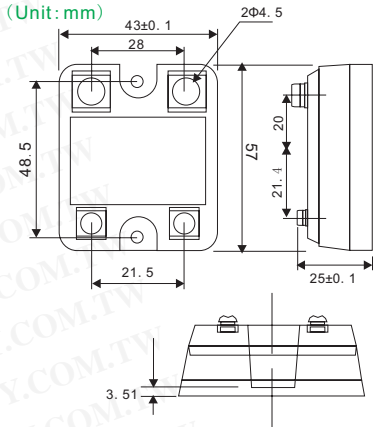


Equivalent circuit



1. INPUT CIRCUIT
2. PHOTO DETECTOR
3. ZERO-CROSS CIRCUIT
4. OUTPUT CIRCUIT
5. PROTECTED CIRCUIT

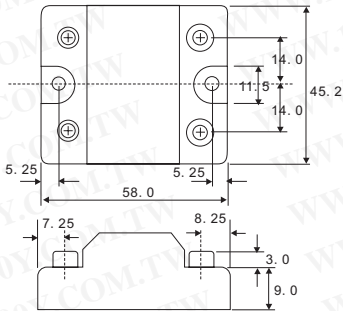
(Unit: mm)



Characteristics

	KD40C25AX	KD40C40AX	KD40C75AX	KD40C90AX
Operate time, max.	2 ms	2 ms	2 ms	2 ms
Release time, max.	½ circuit	½ circuit	½ circuit	½ circuit
Insulation resistance	10 ⁹ ohm	10 ⁹ ohm	10 ⁹ ohm	10 ⁹ ohm
Frequency range	47~70HZ	47~70HZ	47~70HZ	47~70HZ
Weight	92g	92g	100g	100g

Part No.	Product No.	Manufacturer	Description	Vin drive voltage	Irms Load current	Vrms Load voltage	Switching Type
3421	KD40C25AX	KYOTTO	Surface Mounting Power DC-AC SSR	4~32VDC	25A	48~480VAC	Zero-Cross
48262	KD40C40AX	KYOTTO	KYOTTO_Solid-state Relay	4~32VDC	40A	48~480VAC	Zero-Cross
22718	KD40C75AX	KYOTTO	Surface Mounting Power DC-AC SSR	4~32VDC	75A	48~480VAC	Zero-Cross
30219	KD40C90AX	KYOTTO	Surface Mounting Power DC-AC SSR	4~32VDC	90A	48~480VAC	Zero-Cross

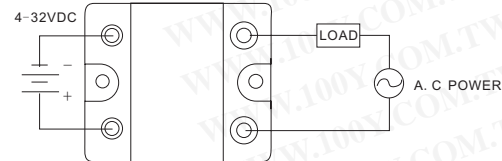


Absolute maximum ratings

Parameter	Symbol	Rating	Unit
Isolation voltage input to output	Viso	4000	Vrms
Operating temperature	Topr	-30~100	°C
Storage temperature	Tstg	-30~125	°C

Electro-optical characteristics

Parameter	Symbol	Conditions	Min	Typ	Max.	Unit
Isolation resistance input to output	Riso	DC500V	10			GΩ
Turn-on time	Ton	60Hz AC			8.3	ms
Turn-off time	Toff	60Hz AC			8.3	ms
Thermal resistance (between junction and case)	Rth(j-c)			1.3		°C/W



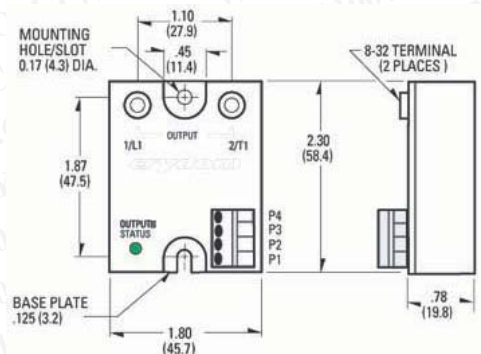
Part No.	Product No.	Manufacturer	Description	Vin drive voltage	Irms Load current	Vrms Load voltage	Switching Type
17449	KSD210AC8	COSMO	Surface Mounting Power DC-AC SSR	4~32Vdc	10A	250Vac	Zero crossing circuit



- Phase Angle Controller/SSR in One Package
- Low Voltage, Current or Potentiometer Control
- Output Status Indicator (Load Open, No Voltage)
- 0-100% Control Range
- Separate Output Enable/Disable Control
- SCR Based Output Load Switching
- Internal Snubber Network

GENERAL SPECIFICATIONS

Dielectric Strength 50/60Hz, Input/Output/Base	4000 Vrms
Insulation Resistance (Min.) @ 500 Vdc	10 ⁹ Ohm
Max. Capacitance Input/Output	10 pF
Ambient Operating Temperature Range	-20 to 80°C
Ambient Storage Temperature Range	-40 to 125°C



All dimensions are in inches (millimeters)

