



Relays & Solenoids

Surface Mounting Power DC To AC Solid State Relays

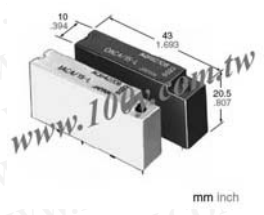
Detailed product specifications are available on: us.100y.com.tw



MECHANICAL SPECIFICATIONS

Weight: (typical)	3.0 oz. (86.5g)
Encapsulation:	Thermally Conductive Epoxy
Terminals:	Screws and Saddle Clamps Furnished, Unmounted

Part No.	Product No.	Manufacturer	Description	Vin drive voltage	Irms Load current	Vrms Load voltage	Switching Type
35957	HD60125	Crydom	DC-AC Solid-state Relay	3-32 Volts DC	0.15-125 Amps RMS	48-660 Volts RMS	AC
39173	HD60125-10	Crydom	DC-AC Solid-state Relay	3-32 Volts DC	0.15-125 Amps RMS	48-660 Volts RMS	AC
40806	HD6090	Crydom		3-32 Volts DC	0.15-125 Amps RMS	48-660 Volts RMS	AC



FEATURES

- Input and output modules for interfacing between CPU and external input devices or loads
- IAC: AC input (yellow)
- OAC: AC output (black)
- IDC: DC input (white)
- ODC: DC output (red)
- Excellent transient noise immunity
- Breakdown voltage: 4,000 V between input and output
- Zero-cross switching for reducing EMI
- LED operation indication types available

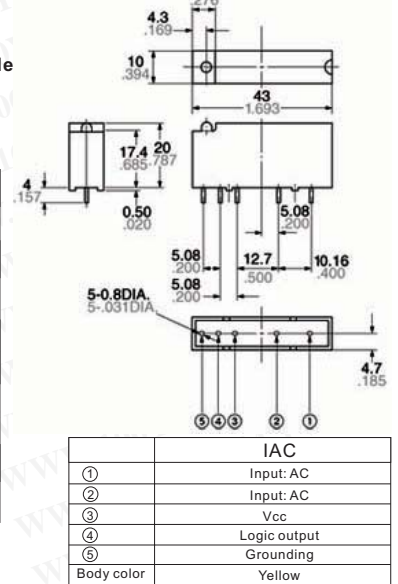
TYPICAL APPLICATIONS

1. Optimum for minicomputer and microcomputer use, and for feed back control process control systems.
Robot, NC machine, Automatic Assembling machine.
2. Programmable controllers controls for motors, solenoids and solenoid valves.

Characteristics (at 20°C 68°F, Voltage ripple of logic side: less than 1%)

Operate time, max.	20 ms	
Release time, max.	20 ms	
Insulation resistance	10 ⁹ Ω between input and output (at 500 V DC)	
Breakdown voltage	4,000 V AC between input and output	
Vibration resistance	Functional	117.6 mm/s ² {12G}, 10 to 55 Hz at double amplitude of 2 mm (10 minutes for X, Y, Z axis)
	Destructive	117.6 mm/s ² {12G}, 10 to 55 Hz at double amplitude of 2 mm (1hour for X, Y, Z axis)
Shock resistance	Functional	Min. 980 m/s ² {100G} (4 times each for X, Y, Z axis)
	Destructive	Min. 980 m/s ² {100G} (5 times each for X, Y, Z axis)
Ambient temperature	-30°C to +80°C -22°F to +176°F	
Storage temperature	-30°C to +100°C -22°F to +212°F	

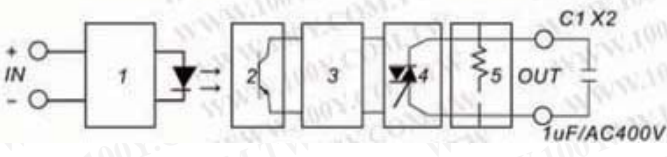
Input module (IAC, IDC)



Part No.	Product No.	Manufacturer	Description	Vin drive voltage	Vrms Load voltage
47569	IAC4/15-L	NAIS	NAIS I/O-RELAYS	80 to 140 V AC	4 to 15 V DC

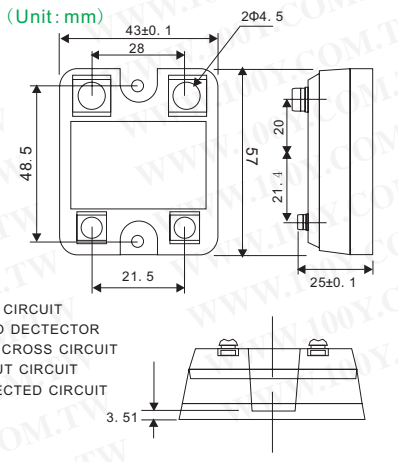


Equivalent circuit



Characteristics

	KD20C10AX	KD20C15AX	KD20C25AX	KD20C40AX	KD20C75AX
Operate time, max.	2 ms	2 ms	2 ms	2 ms	2 ms
Release time, max.	½ circuit	½ circuit	½ circuit	½ circuit	½ circuit
Insulation resistance	10 ⁹ ohm	10 ⁹ ohm	10 ⁹ ohm	10 ⁹ ohm	10 ⁹ ohm
Frequency range	47-70HZ	47-70HZ	47-70HZ	47-70HZ	47-70HZ
Weight	95g	95g	100g	100g	100g



Part No.	Product No.	Manufacturer	Description	Vin drive voltage	Irms Load current	Vrms Load voltage	Switching Type
12912	KD20C10AX	KYOTTO	Surface Mounting Power DC-AC SSR	4~32VDC	10A	24~280VAC	Zero-Cross
17010	KD20C15AX	KYOTTO	Surface Mounting Power DC-AC SSR	4~32VDC	15A	24~280VAC	Zero-Cross



T E L : Taiwan : 886-3-5753170
 F A X : Taiwan : 886-3-5753172
 E-mail : Taiwan : us_sale@100y.com.tw

Shenzhen : 86-755-83298787
 Shenzhen : 86-755-83640655
 Shenzhen : 100y@163.com

Shanghai : 86-21-54151736
 Shanghai : 86-21-64605107
 Shanghai : 100y-1@163.com