



Relays & Solenoids

Surface Mounting Power DC To AC Solid State Relays

Detailed product specifications are available on: us.100y.com.tw



- Zero Voltage and Random Turn-On Switching
- Panel Mount
- Internal Snubber
- Integrated Overvoltage Protection by Automatic Self Turn-On (Suffix P)

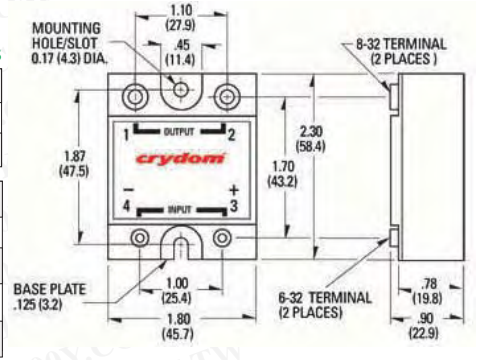
Featuring state-of-the-art Surface Mount Technology, these SPST-N Orelays deliver proven reliability in the most demanding applications. Output consists of an SCR AC switch and is available in zero-cross, random turn-on (phase controllable) and versions with either AC or DC input (coil) control. Manufactured in Crydom's ISO 9001 Certified facility for optimum product performance and reliability.

GENERAL SPECIFICATIONS

Dielectric Strength 50/60Hz Input/Output/Base	4000 Vrms
Insulation Resistance (Min.) @ 500 Vdc	10 ⁹ Ohm
Max. Capacitance Input/Output	8 pF
Ambient Operating Temperature Range	-40 to 80°C
Ambient Storage Temperature Range	-40 to 125°C

MECHANICAL SPECIFICATIONS

Weight: (typical)	3.0 oz. (86.5g)
Encapsulation:	Thermally Conductive Epoxy
Terminals:	Screws and Saddle Clamps Furnished, Unmounted



Part No.	Product No.	Manufacturer	Description	Vin drive voltage	Irms Load current	Vrms Load voltage	Switching Type
36179	D24125	Crydom	DC-AC Solid State Relays	3-32 Volts DC	125 Amps RMS	280 Volts RMS	AC



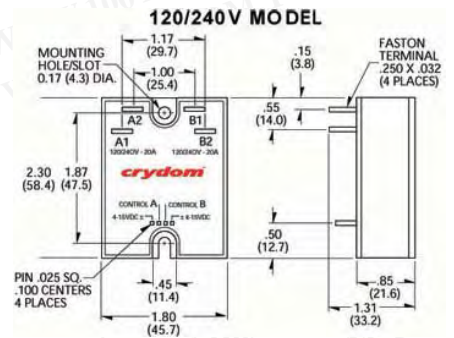
- Zero Voltage and Random Turn-On Switching
- SCR Output
- Industry Standard Package
- Panel Mount

Two totally independent AC output relays come in a single standard panel-mount package. Utilizing an AC switch output with internal snubber, relays provide greater protection against false triggering. Model choices include zero-voltage or random turn-on (phase controllable) switching. Manufactured in Crydom's ISO 9001 Certified facility for optimum product performance and reliability.

Dielectric Strength 50/60Hz Input/Output/Base	4000 Vrms
Insulation Resistance (Min.) @ 500 Vdc	10 ⁹ Ohm
Max. Capacitance Input/Output	10 pF
Ambient Operating Temperature Range	-40 to 80°C
Ambient Storage Temperature Range	-40 to 125°C

GENERAL SPECIFICATIONS

Weight: (typical)	3.0 oz. (86.5g)
Encapsulation:	Thermally conductive epoxy
Terminals:	.25" Fastons, .025" Square Pins

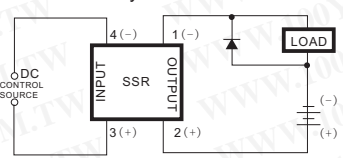


Part No.	Product No.	Manufacturer	Description	Vin drive voltage	Irms Load current	Vrms Load voltage	Switching Type
36181	D2425D	Crydom	DC-AC Solid State Relays	4-15 Volts DC	25 Amps RMS	280 Volts RMS	AC
36182	D2440D	Crydom	DC-AC Solid State Relays	4-15 Volts DC	25 Amps RMS	280 Volts RMS	AC



- MOSFET Output
- Low On-State Resistance
- Paralleling Capability for Higher Currents
- Panel Mount

DC output relays feature MOSFET technology for low on-state resistance, assuring easy paralleling and switching capabilities to 40 amps at up to 200 Vdc. Lower current models are also available to 500 Vdc. All models come in Crydom's standard panel-mount package. Manufactured in Crydom's ISO 9001 Certified facility for optimum product performance and reliability.



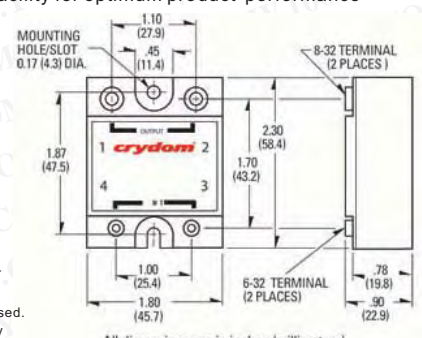
Dielectric Strength 60Hz	2500 Vrms
Insulation Resistance (Min.) @ 500 Vdc	10 ⁹ Ohm
Max. Capacitance Input/Output	50 pF
Ambient Operating Temperature Range	-20 to 80°C
Ambient Storage Temperature Range	-20 to 125°C

MECHANICAL SPECIFICATIONS

Weight: (typical)	3.0 oz. (86.5g)
Encapsulation:	Thermally Conductive Epoxy
Terminals:	Screws and Saddle Clamps Furnished, Unmounted

Transient Protection

All loads are inductive, even ones that are not so labeled. An inductive load will produce harmful transient voltages when it is turned off. The more perfect the switch, the larger the transient voltages; the MOSFET output is so nearly an ideal switch that the transient voltages produced by seemingly "non-inductive" loads can cause damage if not suppressed. Diodes should be fast recovery type with PIV rated greater than supply voltage.



Part No.	Product No.	Manufacturer	Description	Vin drive voltage	Irms Load current	Vrms Load voltage	Switching Type
44884	D2D12	Crydom	Crydom RELAY	3.5-32 Volts DC	0.02-12	0-200 Volts DC	DC



T E L : Taiwan : 886-3-5753170
 F A X : Taiwan : 886-3-5753172
 E-mail : Taiwan : us_sale@100y.com.tw

Shenzhen : 86-755-83298787
 Shenzhen : 86-755-83640655
 Shenzhen : 100y@163.com

Shanghai : 86-21-54151736
 Shanghai : 86-21-64605107
 Shanghai : 100y-1@163.com