



Relays & Solenoids

Surface Mounting Power DC To AC Solid State Relays

Detailed product specifications are available on: us.100y.com.tw



- **SCR Output**
- **Ultra High Surge Rating**
- **Crydom's Patented Design**

MECHANICAL SPECIFICATIONS

Weight: (typical)	0.4 oz. (11g)
Encapsulation:	Thermally Conductive Epoxy

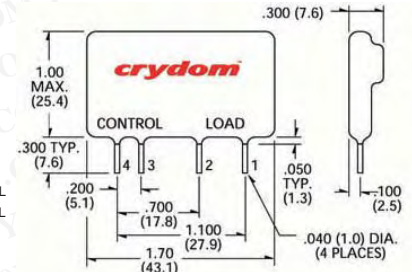
Crydom's family of SPST-NO relays achieves the highest power switching capability in a PC-mounted air-cooled package. Advanced features include exceptional steady state current, plus ultra-high surge ratings. Models are available to switch up to 660 Vrms with AC or DC control, and either zero-cross or random turn-on ("R") switching versions. Pinout is compatible with Series 6 and OAC type I/O modules. Manufactured in Crydom's ISO 9002 Certified facility for optimum product performance and reliability.

GENERAL SPECIFICATIONS

Dielectric Strength 50/60Hz Input/Output/Base	4000 Vrms
Insulation Resistance (Min.) @ 500 Vdc	10 ⁹ Ohm
Max. Capacitance Input/Output	10 pF
Ambient Operating Temperature Range	-30 to 80°C
Ambient Storage Temperature Range	-30 to 125°C

AC CONTROL
 PIN 1: AC LOAD
 PIN 2: AC LOAD
 PIN 3: AC CONTROL
 PIN 4: AC CONTROL

DC CONTROL
 PIN 1: AC LOAD
 PIN 2: AC LOAD
 PIN 3: +DC CONTROL
 PIN 4: -DC CONTROL



All dimensions are in inches (millimeters)

Part No.	Product No.	Manufacturer	Description	Vin drive voltage	Irms Load current	Vrms Load voltage	Switching Type
35937	CX240D5	Crydom	DC-AC Solid State Relays	3-15 Vdc	5Amrs	280Vrms	AC
35943	CXE240D5	Crydom	DC-AC Solid State Relays	15-32 Volts DC	5 Amps RMS	280 Volts RMS	AC



- **Low Minimum Operating Current**
- **SCR Output**
- **Crydom's Patented Design**

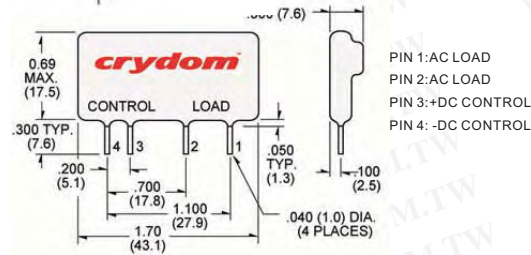
The CX241 AC Relays are 1.5A rated SPST-NO low profile SIP solid state relays offering the Series ASO circuit with the popular CXpin-out. They are designed for switching highly inductive, low current loads such as solenoids. Available in either zero voltage or random switching versions (R suffix). Manufactured in Crydom's ISO 9001 Certified facility for optimum product performance and reliability.

GENERAL SPECIFICATIONS

Dielectric Strength ②	4000 Vrms
Insulation Resistance (Min.) @ 500 Vdc ②	10 ⁹ Ohm
Max. Capacitance	8.0 pF
Ambient Operating Temperature Range	-30 to 80°C
Ambient Storage Temperature Range	-30 to 125°C

MECHANICAL SPECIFICATIONS

Weight: (typical)	0.4 oz. (11g)
Encapsulation:	Thermally Conductive Epoxy



All dimensions are in inches (millimeters)

GENERAL NOTES

② Dielectric and insulation resistance are measured between input and output.

Part No.	Product No.	Manufacturer	Description	Vin drive voltage	Irms Load current	Vrms Load voltage	Switching Type
46158	CX241	Crydom	Solid State Relays	4-10V	0.025-1.5A	12-280V	Zero cross



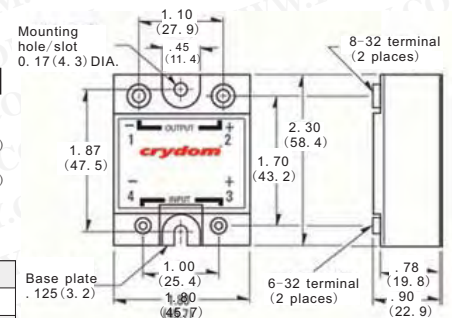
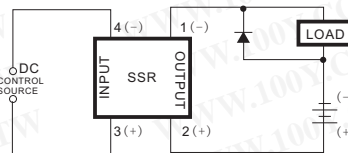
- **MOSFET Output**
- **Low On-State Resistance**
- **High Current Ratings**
- **Panel Mount**

DC output relays feature MOSFET technology for low on-state resistance, assuring easy paralleling and switching capabilities to 100 amps at 60 Vdc. Lower current models are also available to 500 Vdc. All models come in Crydom's standard panel-mount package. Manufactured in Crydom's ISO 9001 Certified facility for optimum product performance and reliability.

Transient Protection

All loads are inductive, even ones that are not so labeled. An inductive load will produce harmful transient voltages when it is turned off. The more

perfect the switch, the larger the transient voltages; the MOSFET output is so nearly an ideal switch that the transient voltages produced by seemingly "non-inductive" loads can cause damage if not suppressed. Diodes should be fast recovery type with PIV rated greater than supply voltage.



All dimensions are in inches (millimeters)

GENERAL SPECIFICATIONS

Dielectric Strength 60Hz	2500 Vrms
Insulation Resistance (Min.) @ 500 Vdc	10 ⁹ Ohm
Max. Capacitance Input/Output	50 pF
Ambient Operating Temperature Range	-30 to 80°C
Ambient Storage Temperature Range	-40 to 125°C

MECHANICAL SPECIFICATIONS

Weight: (typical)	3.0 oz. (86.5g)
Encapsulation:	Thermally Conductive Epoxy
Terminals:	Screws and Saddle Clamps Furnished, Unmounted

Part No.	Product No.	Manufacturer	Description	Vin drive voltage	Irms Load current	Switching Type
48073	D06D60	Crydom	CRYDOM_ Solid State Relays	0-60V	5mA-60A	DC



T E L : Taiwan : 886-3-5753170
 F A X : Taiwan : 886-3-5753172
 E-mail : Taiwan : us_sale@100y.com.tw

Shenzhen : 86-755-83298787
 Shenzhen : 86-755-83640655
 Shenzhen : 100y@163.com

Shanghai : 86-21-54151736
 Shanghai : 86-21-64605107
 Shanghai : 100y-1@163.com