



Relays & Solenoids

Surface Mounting Power DC To AC Solid State Relays

Detailed product specifications are available on: us.100y.com.tw



Characteristics (at 20°C 68°F, Input ripple: 1% or less)

Part No.	AQK1211	Remarks
Operate time, max.	(1/2 cycle of voltage sine wave) + 1 ms	
Release time, max.	(1/2 cycle of voltage sine wave) + 1 ms	
Breakdown voltage	2,500 V AC	
Ambient temperature	-30°C to +80°C -22°F to +176°F	Non-condensing at low temperatures
Insulation resistance, min., Initial	100 MΩ between input, output and case	by 500V DC megger
Vibration resistance	10 to 55 Hz at double amplitude of 0.75 mm	For 1 min.
Shock resistance	Min. 294 m/s ²	
Storage temperature	-35°C to +100°C -31°F to +212°F	
Operational method	Zero-cross (Turn-ON and Turn-OFF)	



Part No.	Product No.	Manufacturer	Description	Vin drive voltage	Irms Load current	Vrms Load voltage
47567	AQK1211	NAIS	NAIS_AQ-K SOLID STATE RELAY	4.5 to 30 V DC	15A	75 to 250 V AC



FEATURES

- Five types available from 10 A to 40 A.
- Built-in varistor
- Includes operation LED (red)
- Dielectric voltage of 4,000 V
- 4 to 32 V DC input voltage.
- Zero-cross and Random types are available.

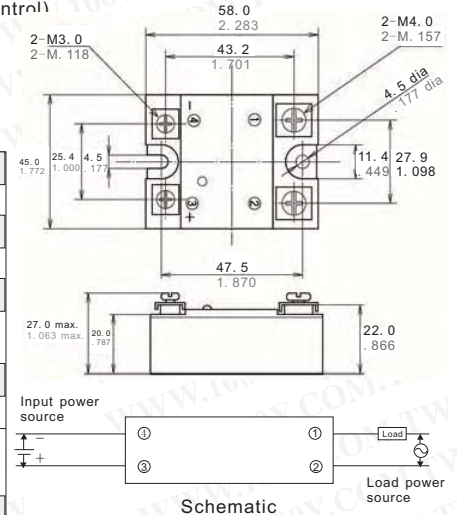
TYPICAL APPLICATIONS

- Molding machine (heater control)
- Temperature controlled bath (heater control)
- Printing machines (heater control)
- Wrapping and packing machine (heater control)
- Machine tools (Motor control)



Characteristics (at 20°C 68°F, Input ripple: 1% or less)
Zero-cross type

Type	25A	Remarks
Part No.	AQN411	
Operate time, max.	(1/2 cycle of voltage sine wave) + 1ms	
Release time, max.	(1/2 cycle of voltage sine wave) + 1ms	
Insulation resistance, min.	100MΩ between input and output	Using 500 V DC megger
Breakdown voltage	4,000 Vrms between input and output 2,500 Vrms among input, output and case	for 1min.
Vibration resistance (Functional)	10 to 55Hz double amplitude of 1.5mm	X, Y, Z axes
Shock resistance (Functional)	Min. 980 m/s ²	X, Y, Z axes
Ambient temperature	-20°C to +80°C -4°F to +176°F	Non-condensing at low temperatures
Storage temperature	-25°C to +85°C -13°F to +185°F	
Operational method	Zero-cross (Turn-ON and Turn-OFF)	

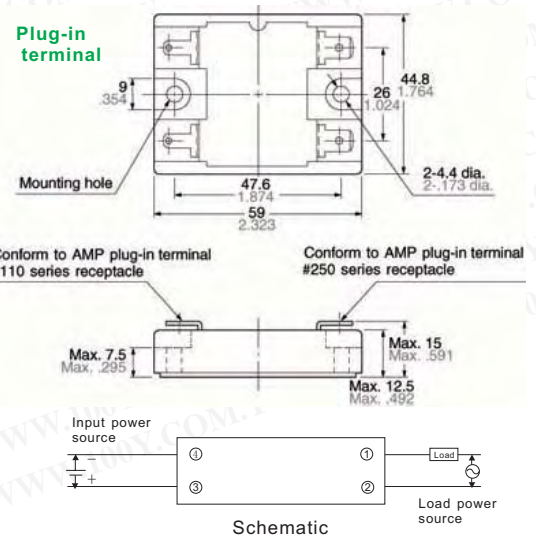


Part No.	Product No.	Manufacturer	Description	Vin drive voltage	Irms Load current	Vrms Load voltage
47564	AQN411	NAIS	NAIS_AQ-N SOLID STATE RELAY	4 to 32 V DC	25A	75 to 250V AC

FEATURES

1. Two types of terminal shape: Plug-in terminal and Screw terminal (30 A, 40 A is screw terminal types only)
2. Flat type of SSR possible by aluminium printed circuit board
3. High dielectric strength of 1,500 V between input and output. 4,000 V available for 10A, 15A, 20A devices.
4. Heat sink and DIN mounting rail and terminal cover are available as accessories

Plug-in terminal



APPLICATIONS

1. Molding machine (heater control)
2. Temperature controlled bath (heater control)
3. Printing machine (heater control)
4. Machine tool (motor control)

(10A, 15A, 20A type) (30A, 40A type)



T E L : Taiwan : 886-3-5753170
F A X : Taiwan : 886-3-5753172
E-mail : Taiwan : us_sale@100y.com.tw

Shenzhen : 86-755-83298787
Shenzhen : 86-755-83640655
Shenzhen : 100y@163.com

Shanghai : 86-21-54151736
Shanghai : 86-21-64605107
Shanghai : 100y-1@163.com