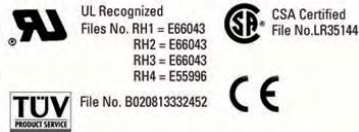
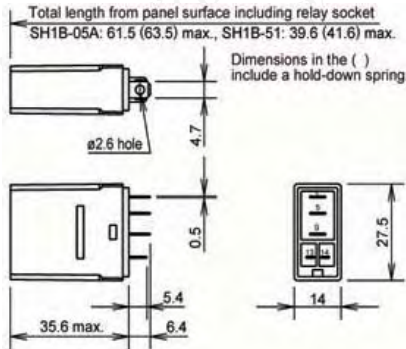




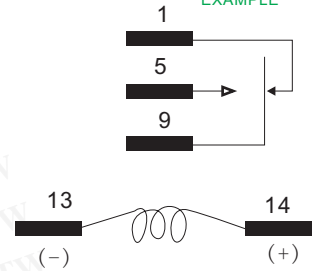
Relays & Solenoids

IDEC_Power Relays

Detailed product specifications are available on: us.100y.com.tw



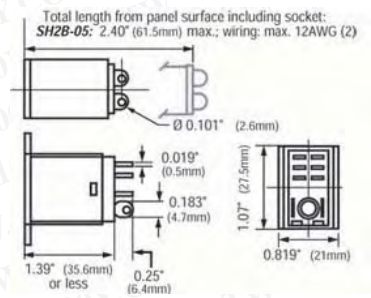
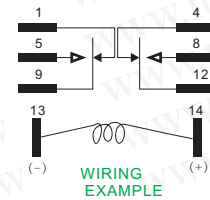
RH1
WIRING
EXAMPLE



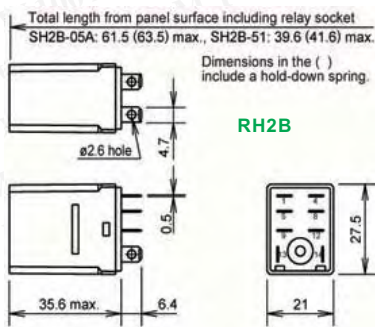
Part No.	Product No.	Manufacturer	Description	Recognized Safety	Type	Cont. Arrangement	Coil Volt.	L*W*H (mm)
42747	RH1B-UL-AC110V	IDEC	IDEC_Power Relay	UL,CSA,CE,TUV	RH1B-UL	SPDT	AC110V	27*14*35mm
46578	RH1B-UL-AC120V	IDEC	IDEC_Power Relay	UL,CSA,CE,TUV	RH1B-UL	SPDT	AC120V	27*14*35mm
41075	RH1B-UL-DC24V	IDEC	IDEC_Power Relay	UL,CSA,CE,TUV	RH1B-UL	SPDT	DC24V	27*14*35mm



Veris offers the idec RH2B Series, a DPDT blade-style socket relay for DIN rail mounting. All models are available in three coil voltage choices; 24VAC, 24VDC, or 120VAC, with contacts rated for 10A (resistive). RH2B-UL models have the added benefit of an on-board status LED to provide local indication, especially useful during commissioning and troubleshooting. When used with SH2B-05 socket, these relays mount onto standard DIN rails. A spring-loaded removal clip is included with each socket.



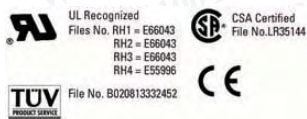
Part No.	Product No.	Manufacturer	Description	Recognized Safety	Type	Cont. Arrangement	Contact Rating	Coil Volt.	L*W*H (mm)
19514	RH2B-U-AC120	IDEC	8 Pins Miniature Solder Relays	UL,CSA,TUV	RH2B-U	DPDT	110VAC/30VDC, 10A 220VDC/7.5A	AC120V	35.6*21*27.5
29008	RH2B-U-AC24	IDEC	8Pins Miniature Solder Relays	UL,CSA,TUV	RH2B-U	DPDT	110VAC/30VDC, 10A 220VDC/7.5A	AC24V	35.6*21*27.5
16655	RH2B-U-DC24	IDEC	8Pins Miniature Solder Relays	UL,CSA,TUV	RH2B-U	DPDT	110VAC/30VDC, 10A 220VDC/7.5A	DC24V	35.6*21*27.5
17549	RH2B-UL-AC110	IDEC	Miniature Solder Relays	UL,CSA,TUV	RH2B-UL	DPDT	110VAC/30VDC, 10A 220VDC/7.5A	AC110V	35.6*21*27.5
17552	RH2B-UL-AC220	IDEC	Miniature Solder Relays	UL,CSA,TUV	RH2B-UL	DPDT	110VAC/30VDC, 10A 220VDC/7.5A	AC220V	35.6*21*27.5
16817	RH2B-UL-AC24	IDEC	8 Pins Miniature Solder Relays-LED	UL,CSA,TUV	RH2B-UL	DPDT	240VAC/30 VDC, 10A	AC24V	35.6*21*27.5
17546	RH2B-UL-DC12	IDEC	Miniature Solder Relays	UL,CSA,TUV	RH2B-UL	DPDT	110VAC/30VDC, 10A 220VDC/7.5A	DC12V	35.6*21*27.5
17545	RH2B-UL-DC24	IDEC	Miniature Solder Relays	UL,CSA,TUV	RH2B-UL	DPDT	110VAC/30VDC, 10A 220VDC/7.5A	DC24V	35.6*21*27.5



Contact Material	Silver cadmium oxide
Contact Resistance	50mΩ maximum (initial value)
Minimum Applicable Load	24V DC/30mA, 5V DC/100mA (reference value)
Operating Time	DPDT (RH2): 20ms maximum
Release Time	DPDT (RH2): 20ms maximum
Insulation Resistance	100MΩ min (measured with a 500V DC megger)
Vibration Resistance	0 to 6G (55Hz maximum)
Shock Resistance	DPDT: 200N (approximately 20G)
Operating Temperature	-30 to +70°C
Weight	DPDT: 37g (approximately)

Key features of the RH series include:

- Compact midjet size saves space
- High switching capacity (10A)
- Choice of blade or PCB style terminals
- Relay options include indicator light, check button, and top mounting bracket
- DIN rail, surface, panel, and PCB type sockets available for a wide range of mounting applications



Part No.	Product No.	Manufacturer	Description	Recognized Safety	Type	Cont. Arrangement	Coil Volt.	L*W*H (mm)
40151	RH2B-U-AC240	IDEC	RH Series — General Purpose Midget Relays	UL,SA,CE,TUV	RH2B-U	DPDT	240V	35.6*21*27.5

