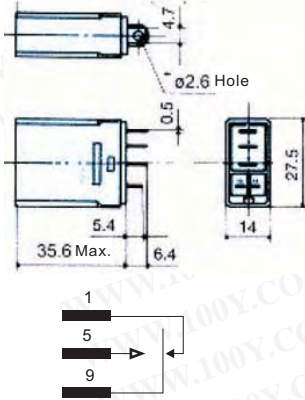




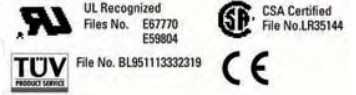
# Relays & Solenoids

## IDEC Power Relays

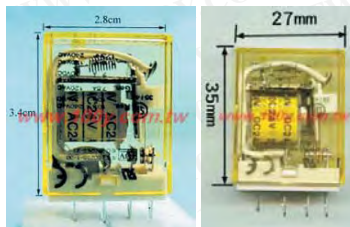
Detailed product specifications are available on: [us.100y.com.tw](http://us.100y.com.tw)



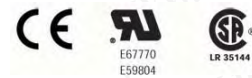
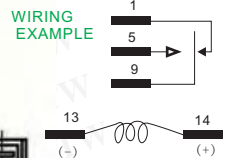
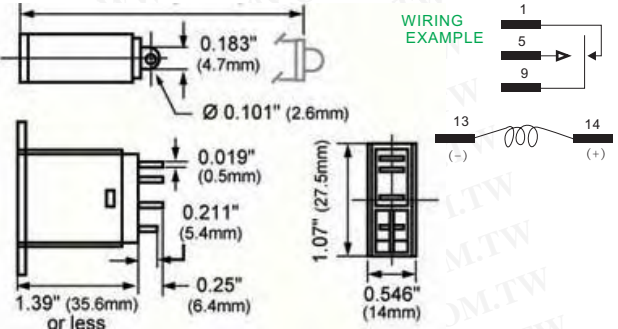
Contact Material	Silver cadmium oxide	
Contact Resistance	*1	50mΩ maximum (initial value)
Minimum Applicable Load	24V DC/30mA, 5V DC/100mA (reference value)	
Operating Time	*2	SPDT, DPDT: 20ms maximum 3PDT, 4PDT: 25ms maximum
Release Time	*2	SPDT, DPDT: 20ms maximum 3PDT, 4PDT: 25ms maximum
Shock Resistance	SPDT/DPDT: 200N (approximately 20G) 3PDT/4PDT: 100N (approximately 10G)	
Working Temperature	*4	-25 to +50°C
Weight	SPDT: 24g, DPDT: 37g (approximately) 3PDT: 50g, 4PDT: 74g (approximately)	



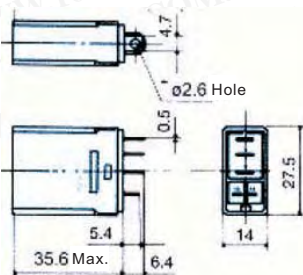
Part No.	Product No.	Manufacturer	Description	Recognized Safety	Type	Cont. Arrangement	Contact Rating	Coil Volt.	L*W*H (mm)
41080	BS001E	IDEC	Power Miniature Solder Relays	UL,CE,SR,TUV	BS	SPDT	250VAC/3A,600VDC/2A	250VC	27*14*35mm
41086	BS010E	IDEC	Power Miniature Solder Relays	UL,CE,SR,TUV	BS	SPDT	400VAC/2A,125VDC/1A	400VC	27*14*35mm



Veris offers the idec RH1B Series, a SPDT blade-style socket relay for DIN rail mounting. All models are available in three coil voltage choices; 24VAC, 24VDC, or 120VAC, with contacts rated for 10A (resistive). RH1B-L models have the added benefit of an on-board status LED to provide local indication, especially useful during commissioning and troubleshooting. When used with SH1B-05 socket, these relays mount onto standard DIN rails. A spring-loaded removal clip is included with each socket.

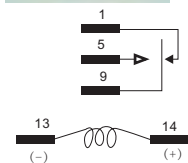


Part No.	Product No.	Manufacturer	Description	Recognized Safety	Type	Cont. Arrangement	Contact Rating	Coil Volt.	L*W*H (mm)
14131	RH1B-U-AC24V	IDEC	5Pin Power Solder Relays	UL,CE,SR,TUV	RH1B-U	SPDT	240VAC/10A,30VDC/10A	AC24V	27*18*36mm
14292	RH1B-U-DC24V	IDEC	5 Pin Power Miniature Solder Relays	UL,CE,SR,TUV	RH1B-U	SPDT	240VAC/10A,30VDC/10A	DC24V	27*14*35mm



### Technique data

Contact Resistance	50mΩ maximum (initial value)
Minimum Applicable Load	24V DC/30mA, 5V DC/100mA (reference value)
Operating Time	SPDT / DPDT: 20ms maximum (on rating voltage)
Release Time	SPDT / DPDT: 20ms maximum (on rating voltage)
Insulation Resistance	100Ω min (measured with a 500V DC megger)
Environment Temperature	SPDT: -25~+50°C
Weight	SPDT: 24g



RH1  
WIRING EXAMPLE



Part No.	Product No.	Manufacturer	Description	Recognized Safety	Type	Cont. Arrangement	Contact Rating	Coil Volt.	L*W*H (mm)
23557	RH1B-U-DC12V	IDEC	5 Pin Power Miniature Solder Relays	UL,CE,SR,TUV	RH1B-U	SPDT	240VAC/10A,30VDC/10A	DC12V	27*14*35mm



### Key features of the RH series include:

- Compact midjet size saves space
- High switching capacity (10A)
- Choice of blade or PCB style terminals
- Relay options include indicator light, check button, and top mounting bracket
- DIN rail, surface, panel, and PCB type sockets available for a wide range of mounting applications

Contact Material	Silver cadmium oxide
Contact Resistance	50mΩ maximum (initial value)
Operating Time	SPDT (RH1), DPDT (RH2): 20ms maximum
Release Time	SPDT (RH1), DPDT (RH2): 20ms maximum
Insulation Resistance	100MΩ min (measured with a 500V DC megger)
Shock Resistance	SPDT/DPDT: 200N (approximately 20G)
Vibration Resistance	0 to 6G (55Hz maximum)
Operating Temperature	-30 to +70°C
Weight	SPDT: 24g, DPDT: 37g (approximately)

