



Relays & Solenoids

OMRON_PCB Relays

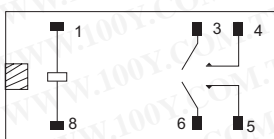
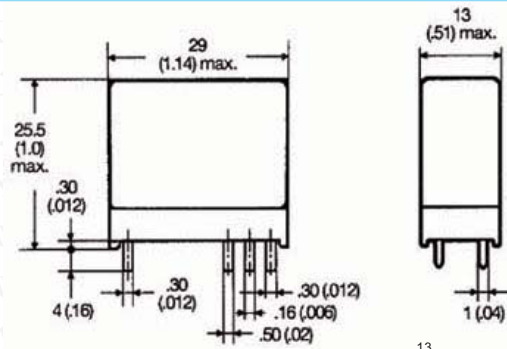
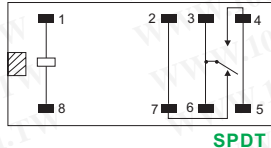
Detailed product specifications are available on: us.100y.com.tw



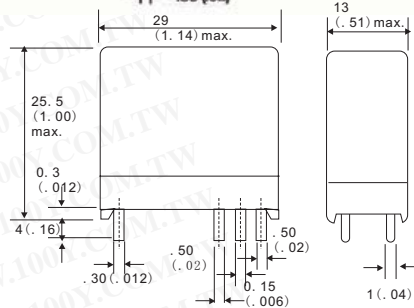
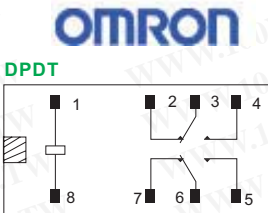
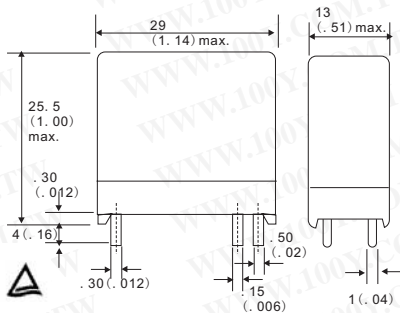
- Creepage distance of 8.0 mm (0.31) min. between coil and contact.
- Dual-winding latching type available.
- Plug-in and quick-connect terminals available.
- High sensitivity (360 mW) and high capacity (16 A) types available.
- Highly stable magnetic circuit for latching endurance and excellent resistance to vibration and shock.
- Safety-oriented design assuring high surge resistance: 10,000 V min. Between coil and contacts.
- UL, CSA approved, marked with CE.



Terminal arrangement/
Internal connections
(Bottom view)



DPST-NO

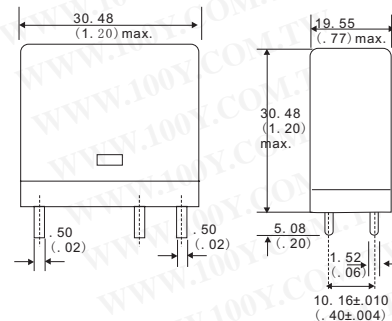
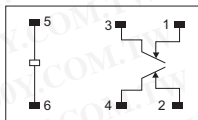


Part No.	Product No.	Manufacturer	Description	Outline L*W*H	Contact Arrangement	Contact Rating	Coil Voltage	Recognized Safety	Type
14874	G2R-1-E-DC12V	OMRON	"OMRON" POWER RELAY	28.6*12.6*24.9	SPDT	16A 250VDC/16A 30VDC	12VDC	CSA,VDE	
32684	G2R-1-E-DC5V	OMRON	"OMRON" POWER RELAY	28.6*12.6*24.9	SPDT	16A 5VDC/16A 380VAC	5VDC		
32916	G2R-2-DC12V	OMRON	"OMRON" Power PCB Relay	29*13*25.5mm	DPDT	3 to 110 VDC/3 to 240 VAC	12VDC		G2R
42670	G2R-2-DC24V	OMRON	"OMRON" Power PCB Relay	29*13*25.5mm	DPDT	3 to 110 VDC/3 to 240 VAC	24VDC		G2R
39008	G2R-2-H-DC48V	OMRON	"OMRON" POWER RELAY	29*13*29	DPDT	16A 250VAC/16A 30VDC	48VDC	UL,CSA,CE	G2R
40721	G2R-2-SND-DC24V	OMRON	"OMRON" Power PCB Relay	29*13*25.5mm	DPDT	3 to 110 VDC/3 to 240 VAC	12 VDC		G2R
32685	G2R-2A-DC5V	OMRON	"OMRON" POWER RELAY	25.5*13*29	DPST-NO	5A 5VDC/16A 380VAC	5VDC		



- Impulse withstand voltage of 10,000V between input and output (coil and contact)
- Creepage distance of 10 mm (0.39 in) minimum between coil and contact meets VDE C/250
- Dielectric strength of 4,000 VAC minimum conforms to UL, CSA and IEC Class II
- International 2.5 mm (0.10 in) terminal pitch
- Low power consumption (0.8W)

Terminal layout/Internal connections
(Bottom view)



CHARACTERISTICS

Contact resistance: 30 mΩ
 Operate time: 20 ms max. (mean value: approx. 13 ms)
 Release time: 5 ms max. (mean value: approx. 2.50 ms)
 Bounce time: Operate: approx. 0.40 ms
 Operating frequency: Mechanical: 18,000 operations/hour
 Electrical: 1,800 operations/hour (under rated load)
 Insulation resistance: 100 M min. (at 500 VDC)
 Ambient temperature: Operating: -25°C to 55°C (-13° to 131°F)
 Storage: -25°C to 55°C (-13° to 131°F)
 Humidity: 35% to 85% RH
 Weight: 29 g (1.02 oz)



Vibration: Mechanical durability: 10 to 55 Hz, 1.50 mm (0.06 in) double amplitude range
 Malfunction durability: 10 to 55 Hz, 1.50 mm (0.06 in) double amplitude range
 Shock: Mechanical durability: 1,000 m/s² (approx. 100 G)
 Malfunction durability: 150 m/s² (approx. 15 G)
 Service life: Mechanical: 5,000,000 operations min. (at operating frequency of 18,000 operation/hour)
 Electrical: See "Characteristic Data"

Part No.	Product No.	Manufacturer	Description	Contact Arrangement	Contact Rating	Coil Voltage	Recognized Safety	Type
23811	G4W-2214P-US-HP-DC24V	OMRON	Power Relay	DPST-NO	1/4 HP, 125 VAC	DC24V	6 to 120 VDC	G4W-2214P-US

- We provide a wide range of products to development and maintenance engineers in all type of business
- If you cannot find the components you want on the catalogue, please call us.

Taiwan: 886-3-5753170
 Shanghai: 021-54151736 Shenzhen: 0755-83298787

Centenary Materials
 Waiting for your phone call



T E L : Taiwan: 886-3-5753170
 F A X : Taiwan: 886-3-5753172
 E-mail: Taiwan: us_sale@100y.com.tw

Shenzhen: 86-755-83298787
 Shenzhen: 86-755-83640655
 Shenzhen: 100y@163.com

Shanghai: 86-21-54151736
 Shanghai: 86-21-64605107
 Shanghai: 100y-1@163.com