



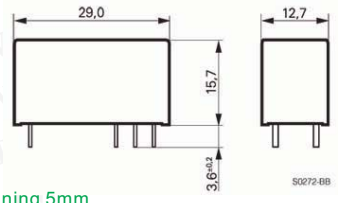
Relays & Solenoids

ANRITSU_PCB Relays

Detailed product specifications are available on: us.100y.com.tw



Contact data	
Contact configuration	1 CO or 1 NO contact
Contact set	single contact
Type of interruption	micro disconnection
Rated current	12A 16A
Rated voltage / max. switching voltage AC	240/400VAC
Limiting continuous current	UL: 20A
Maximum breaking capacity AC	3000VA 4000VA
Limiting making capacity, max 4 s, df 10%	25A 30A
Contact material	AgNi 90/10, AgNi 90/10 gold plated
Mechanical endurance DC coil	> 30 x 10 ⁶ cycles
AC coil	> 10 x 10 ⁶ cycles
Rated frequency of operation with / without load	6/1200 min ⁻¹



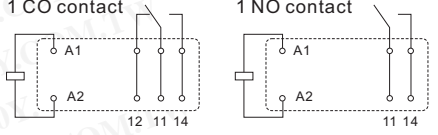
Applications

Boiler control, timers, garage door control, POS automation, interface modules

Approvals



16A, pinning 5mm



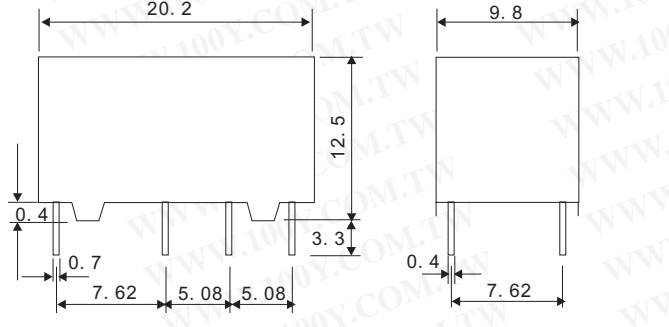
Part No.	Product No.	Coil Voltage	Contact Arrangement	Contact Rating
41666	RTD14048	48V	20 / 500 pcs	5to110VDC/24to230VAC



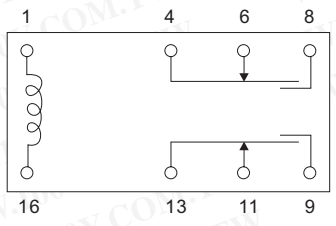
FEATURES

- High sensitivity, 75mW pick-up
- High dielectric strength, (SVRB: 1500Vac)
- Low profile, 20.2 (L) x9.8 (W) x12.5 (H) mm
- DIL pin arrangement in 2.54mm pitch
- High reliability ensured by gold overlay bifurcated contacts
- Epoxy sealed for automatic wave soldering and cleaning
- UL, CSA approved

DIMENSIONS



PIN CONFIGURATION (Bottom view)



SPECIFICATIONS

	Description	Specification	Remarks
Coil	Nominal power consumption	150mW (SVR), 350mW (SVRB), 500mW (SVRA)	
	Operating power consumption	75mW (SVR), 172mW (SVRB), 245mW (SVRA)	
	Ambient temperature	-30 to +90°C (SVR), -30 to +80°C (SVRB) -30 to +70°C (SVRA)	
Contact	Arrangement	DPDT (2 form C), bifurcated	
	Material	Au-overlaid Ag-Pd alloy	
	Circuit resistance	60mΩ or less	Initially
	Max. switching power	30W or 50VA	Resistive load
	Max. switching voltage	150Vdc or 220Vac	Resistive load
Electrical characteristics	Max. carrying current	2A	
	Max. operate time	6ms (7ms: SVR-48B, SVRB-48)	Nominal voltage
	Max. release time	4ms (6ms: SVR-48B, SVRB-48)	Nominal voltage
	Max. bounce time	2ms at operate, 6ms at release	Nominal voltage
	Insulation resistance	1000MΩ or more at 500Vdc	20±15°C, 65±15%RH
	Dielectric strength	Open contacts: 750Vac (SVR, SVRA) 1500Vac (SVRB)	1 minute
		Others: 1000Vac (SVR, SVRA) 1500Vac (SVRB)	
Surge voltage	Open contact: 1000V (10x1000µs) (SVR, SVRA) 2000V (10x1000µs) (SVRB)		
	Others: 1500V (10x1000µs) (SVR, SVRA) 2500V (10x1000µs) (SVRB)		
Capacitance between open contacts	Approx. 2pF		
Life expectancy	Electrical endurance	2x10 ⁶ operations (20mVac, 1mA) 2x10 ⁶ operations (20mVac, 20mA) 2x10 ⁶ operations (96mVac, 140mA) 1x10 ⁷ operations (24mVac, 1.25A) 1x10 ⁷ operations (150Vac, 0.3A)	Resistive load
	Mechanical endurance	2x10 ⁷ operations	
	Shock resistance	Functional: 10G Breakage: 100G	
Vibration resistance	Functional	10 to 55Hz (Double amplitude 1.5mm)	IEC68-2-6
	Breakage	10 to 55Hz (Double amplitude 4.0mm)	
Coil temperature rise	Approx. 14°C (SVR)	Nominal voltage	
Mass	Approx. 5g		

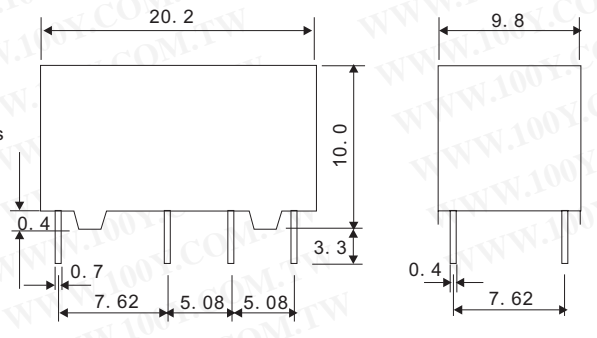
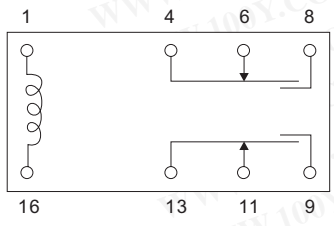
Part No.	Product No.	Description	Type	Coil Voltage	Contact Arrangement	Recognized Safety	Outline L*W*H
29354	SVR-48	ANRITSU_PCB Relays	SVR-48	48V	DPDT(2 Form C), bifurcated	UL	20.2(L)*9.8(W)*12.5(H)mm



FEATURES

- High sensitivity, 75mW pick-up
- Low profile, 20.2 (L) x9.8 (W) x10.0 (H) mm
- DIL pin arrangement in 2.54mm pitch
- High reliability ensured by gold overlay bifurcated contacts
- Epoxy sealed for automatic wave soldering and cleaning
- Plastic material meet UL94V-0

PIN CONFIGURATION (Bottom view)



T E L : Taiwan: 886-3-5753170
 F A X : Taiwan: 886-3-5753172
 E-mail : Taiwan: us_sale@100y.com.tw

Shenzhen: 86-755-83298787
 Shenzhen: 86-755-83640655
 Shenzhen: 100y@163.com

Shanghai: 86-21-54151736
 Shanghai: 86-21-64605107
 Shanghai: 100y-1@163.com