



# Relays & Solenoids

## TOWARD\_PCB Relays

Detailed product specifications are available on: [us.100y.com.tw](http://us.100y.com.tw)

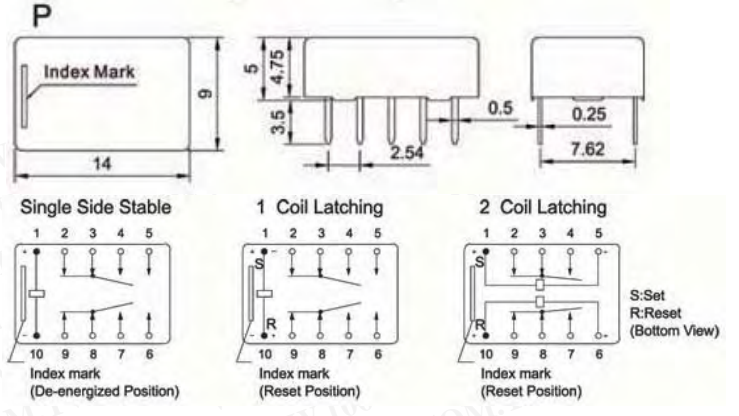


### Features

- P: DIL Pitch terminals. High sensitivity: 0.14W or 0.10W nominal power
- PS: Surface nount type with "L" shaped terminals
- Conforms to FCC Part 68 1.5kV surge and dielectric 1000VAC
- Monostable or bistable relays single and double coil magnet latching type available
- Application for telecommunication equipment, office, equipment, security alarm systems, measuring instruments, medical monitoring equipment, audio visual equipment, flight simulator, sensor control

### Specification

Contact material	Silver alloy
Contact resistance	Max. 50m ohm
Electrostatic capacitance	Between open contacts approx. 0.4pF Between coil to contact approx. 0.9pF Between contact poles approx. 0.2pF
Insulation resistance	1000M ohm Min. (500VDC)
Dielectric strength	Between open contacts 1000VAC (for 1 min) Between coil to contact 1000VAC (for 1 min) Between contacts poles 1000VAC (for 1 min)
Surge withstand voltage	Between open contacts 1500V Between coil to contacts 1500V Between contacts poles 2500V
Vibration resistance	10-55Hz double amplitude functional: 3mm endurance: 5mm
Shock resistance	Functional 500m/s <sup>2</sup> 11ms Endurance 1000m/s <sup>2</sup> 6ms
Terminal strength	5N
Weight	Approx. 1.5g



Part No.	Product No.	Manufacturer	Description	Contact Rating	Coil Voltage
23904	P-24	TOWARD	PCB Relays	1A30VDC, 0.5A125VAC	5Vdc

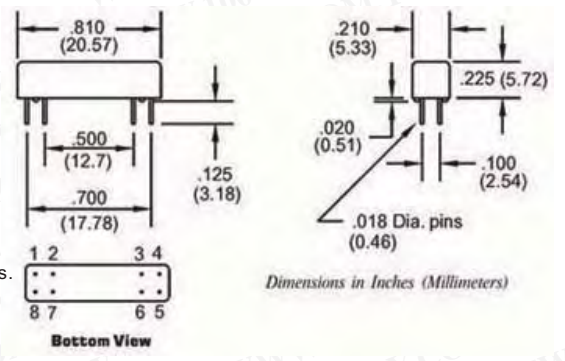
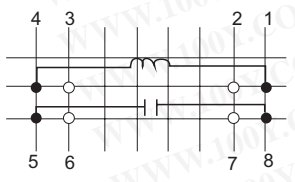
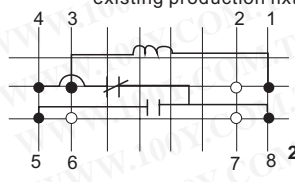
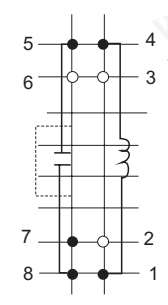
## COTO\_PCB Relays

Detailed product specifications are available on: [us.100y.com.tw](http://us.100y.com.tw)



### Features

- Very small (0.17 in<sup>2</sup>), high reliability reed relays
- High Insulation Resistance - 10<sup>12</sup> Ω available with some models
- High speed switching compared to electromechanical relays
- Hermetically sealed contacts for long life
- Epoxy coated steel shell provides magnetic shielding
- Optional Electrostatic Shield for reducing capacitive coupling
- Optional Coaxial Shield for 50 Ω impedance and switching of fast rise time digital pulses offered on some models
- Relay models 2200-2301, 2200-2302, are ATE industry standards. Specifically engineered for OEM designs and maintenance of existing production fixtures



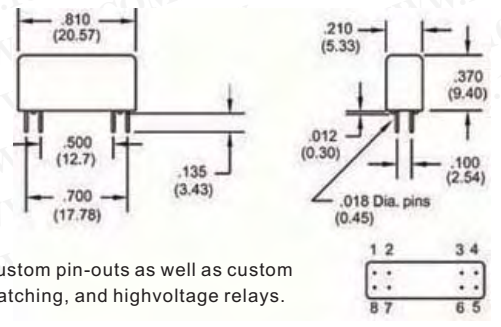
Part No.	Product No.	Manufacturer	Description	Type	Contact Rating	Coil Voltage	Outline L*W*H
47850	2200-2301-01	COTO Relay	COTO_Reed Relay	1 Form A	10W	5V	20.57*5.33*5.72(mm)
48164	2204-05-401	COTO Relay	COTO relay 5V	2200 Series		5V	
29230	2204-05-411	COTO Relay	COTO_Reed Relay				
48544	2204-12-321	COTO Relay	COTO relay_12 V	2200		12V	
29228	2211-05-301	COTO Relay	COTO_Reed Relay	1 Form C	3W	5V	20.57*5.33*5.72(mm)
44826	2211-12-301	COTO Relay	COTO_Reed Relay	1 Form C	3W	12V	20.57*5.33*5.72(mm)



### Features

- Smallest Multi-pole Relay: 0.056 sq. inches/pole (3 pole relay)
- Up to 3 Form A or 2 Form C Contacts
- Hermetically Sealed Contacts
- Long Life / High Reliability
- Magnetically Shielding Steel Shell
- Optional Electrostatic Shield (on most models)

The Coto 2300 series is designed to offer the densest packaging available in a multi-pole reed relay. The size and footprint of the 2300 series complement the 2200 and 2900 series relays. The 1 Form C model is constructed with individual switch capsules for the normally open and magnetically biased normally closed contacts which are more reliable than the spring actuated 1 Form C reed switches. Custom pin-outs as well as custom designs are available to meet particular applications. Special designs include 1 Form B, 2 Form B, latching, and high voltage relays.



T E L : Taiwan : 886-3-5753170  
 F A X : Taiwan : 886-3-5753172  
 E-mail : Taiwan : [us\\_sale@100y.com.tw](mailto:us_sale@100y.com.tw)

Shenzhen : 86-755-83298787  
 Shenzhen : 86-755-83640655  
 Shenzhen : 100y@163.com

Shanghai : 86-21-54151736  
 Shanghai : 86-21-64605107  
 Shanghai : 100y-1@163.com