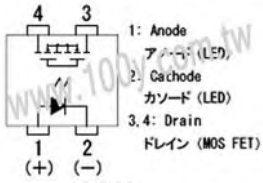




Relays & Solenoids

OKITA_PCB Relays

Detailed product specifications are available on: us.100y.com.tw

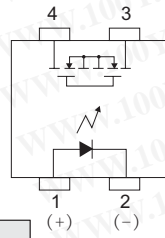


FEATURES

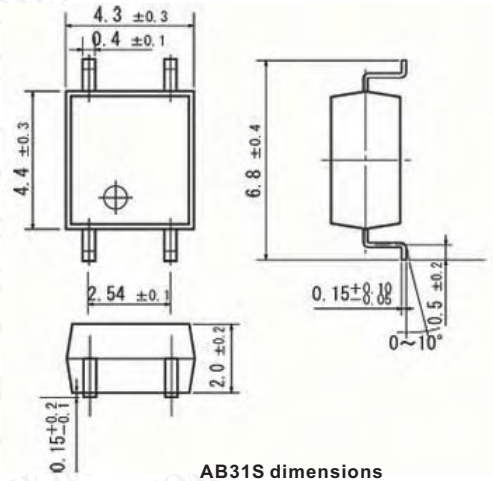
- Contact Form: AB31S: 1a AC31S: 2a
- Load Voltage: 350V Max.
- Operation LED Current: 3.0mA Max.
- Load Current: 120mA Max. 100mA Max.
- On-Resistance: 24Ω Max.
- Output Capacitance: 115pF Typ.
- Low Off-State Leakage Current: 1.0μA Max.

Absolute Maximum Ratings

Item	Symbol	Value
Input	Continuous LED Current	I _F 50mA
	Peak LED Current	I _{FP} 500mA
	LED Reverse Voltage	V _R 5V
	Input Power Dissipation	P _{IN} 75mW
Output	Load Voltage	V _L 350V(AC peak or DC)
	Load Current	I _L 120mA(1Ch) 100mA(2Ch)
	Peak Load Current	I _{Peak} 0.6A
	Output Power Dissipation	P _{OUT} 300mW(1Ch) 450mW(2Ch)
Total Power Dissipation	P _T 350mW(1Ch) 500mW(2Ch)	
I/O Breakdown Voltage	V _{I/O} 1500Vrms	
Operating Temperature	T _{opr} -40°C ~ +85°C	
Storage Temperature	T _{stg} -40°C ~ +100°C	

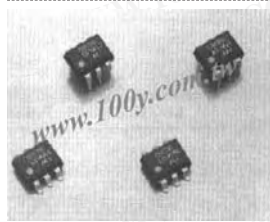


1: Anode
2: Cathode
3,4: Drain

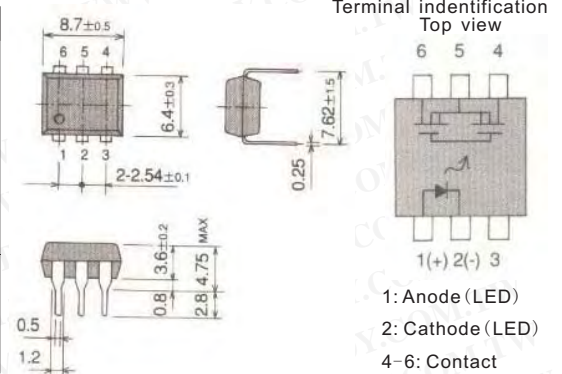


AB31S dimensions

Part No.	Product No.	Manufacturer	Description	Contact Arrangement	Contact Rating	Coil Voltage	Recognized Safety	Outline L*W*H
37946	AB31S	OKITA	Light pair Relay	1a	115pF	350V	120mA	4.3*4.4*2.0mm



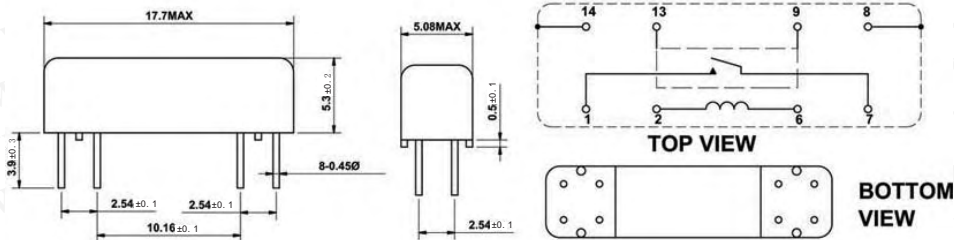
Item	Part number	AD1M35 (S)
Input	LED Forward voltage	V 1.0min. ~1.3max.
	Turn-on LED current	mA Max. 5.0
	Turn-off LED current	mA min. 0.2
Output	On-resistance	Ω Typ. 2.0 Max. 3.0
	Off-state leakage current	μA Max. 1.0
	Output capacitance	pF Typ. 35
Transmission	Turn-on time	mS Typ. 0.3 Max. 1.0
	Turn-off time	mS Typ. 0.2 Max. 1.0
	Coupled	I/O insulation resistance
I/O breakdown voltage		V min. 1500
I/O capacitance		PF Typ. 1.3



Terminal identification Top view

6 5 4
1(+)-2(-) 3
1: Anode (LED)
2: Cathode (LED)
4-6: Contact

Part No.	Product No.	Manufacturer	Description	Type	Contact Rating	Coil Voltage
37160	AD1M35	OKITA	OKITA_PHOTO DMOSFET Relay	PHOTO DMOSFET	350mA	1.3V



FEATURES

It is designed 1 pitch shorter than HFS type in overall length ultimately. Since it is high speed and low stray capacitance, it is most suitable for tester of high frequency. It is 50Ω impedance matching type relay which the electrostatic shield of both sides is connected to terminal pin (called coaxial shield) and magnetic shield case is connected to two terminal pins. adjacent mounting is possible

Performance

Specifications	Item	Standard
Contact specifications	Contact form	1a (make)
	Contact rating	10W
	Max. switching voltage	DC. 100V
	Max. switching current	0.5A
	Max. carry current	1.0A
Contact resistance	150mΩMAX. (initial)	
Electrical specifications	Operate time	(Incl. bounce) 0.5mS MAX. (at nominal voltage)
	Release time	0.5mS MAX. (at nominal voltage)
Mechanical specifications	Vibration	20G (0~2KHz, 1.5mm)
	Shock	30G (11mS. 1/2 Sin wave)
Environmental	Operating temperature	-10°C~+60°C
Life expectancy	Mechanical	1x10 ⁸ MIN. Operations

Part No.	Product No.	Manufacturer	Description	Type	Contact Arrangement	Contact Rating	Coil Voltage	Outline L*W*H
13262	HFS-1A-05S	OKITA	PCB Reed Relay(OKITA)	HFS	1M	1A	5V	L20*W5*H5mm
37215	HFS-1A-05W	OKITA	PCB Reed Relay(OKITA)	HFS		31.3mA	5V	L20*W5*H5mm



T E L : Taiwan: 886-3-5753170
F A X : Taiwan: 886-3-5753172
E-mail : Taiwan: us_sale@100y.com.tw

Shenzhen: 86-755-83298787
Shenzhen: 86-755-83640655
Shenzhen: 100y@163.com

Shanghai: 86-21-54151736
Shanghai: 86-21-64605107
Shanghai: 100y-1@163.com