



Relays & Solenoids

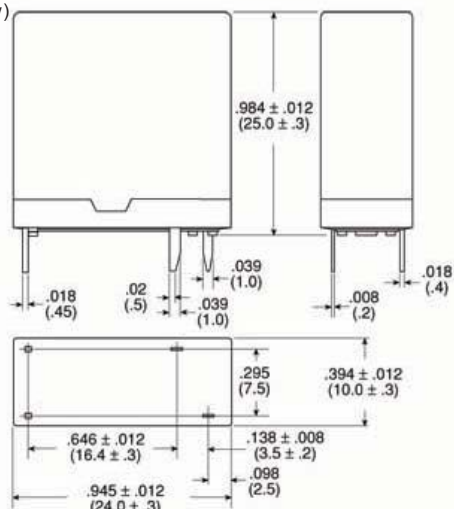
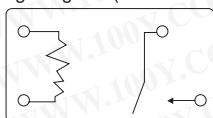
OEG_PCB Relays

Detailed product specifications are available on: us.100y.com.tw



Contact Data @ 20°C
Arrangements: 1 Form A (SPST-NO)
Material: AgSnO
Max. Switching Rate: 300 ops./min. (no load).
 30 ops./min. (rated load).
Expected Mechanical Life: 10 million operations (no load).
Expected Electrical Life: 100,000 operations (rated load).
Minimum Load: 100mA @ 5VDC.
Initial Contact Resistance: 100 milliohms @ 1A, 6VDC.

Wiring Diagram (Bottom View)



Environmental Data

Temperature Range:

Operating: -30°C to +70°C

Vibration, Mechanical: 10 to 55 Hz., 1.5mm double amplitude

Operational: 10 to 55 Hz., 1.5mm double amplitude.

Shock, Mechanical: 1,000m/s² (100G approximately).

Operational: 100m/s² (10G approximately).

Operating Humidity: 20 to 85% RH. (Non-condensing).

Mechanical Data

Termination: Printed circuit terminals.

Enclosure (94V-0 Flammability Ratings):

SDT-S: Snap-on dust cover (Flux-tight).

Weight: 0.38 oz. (11g) approximately.

Initial Insulation Resistance

Between Mutually Insulated Elements:

1,000M ohms min. @ 500VDCM.

Coil Data

Voltage: 5 to 48VDC.

Nominal Power:

SDT-LMR: 250 mW

SDT-DMR: 540 mW

Coil Temperature Rise: 40°C max., at rated coil

voltage.

Max. Coil Power: 130% of nominal.

Duty Cycle: Continuous.

Part No.	Product No.	Manufacturer	Description	Type	Contact Arrangement	Contact Rating	Coil Voltage	Recognized Safety	Outline L*W*H
48135	SDT-S-112DMR	OEG	OEG_PCB RELAY	SDT-R, 1 pole	1 Form A, SPST-NO	8A	12VDC	UL, CSA, TUV, SEMKO	24*10*25
47052	SDT-S-112LMR	OEG	OEG_PCB RELAY	SDT-R, 1 pole	1 Form A, SPST-NO	5A	12VDC	UL, CSA, TUV, SEMKO	24*10*25
47053	SDT-S-124LMR	OEG	OEG_PCB RELAY	SDT-R, 1 pole	1 Form A, SPST-NO	5A	24VDC	UL, CSA, TUV, SEMKO	24*10*25

Features

- Designed for thermostat, modem, computer peripherals, video recording and security applications.
- 1 Form C contact arrangement.
- Low coil power requirement for IC compatibility.
- Terminals arrangement on grid pattern.



Contact Data @ 20°C

Arrangements: 1 Form C (SPDT).

Material: Gold overlay Silver Nickel Alloy.

Max. Switching Rate: 300ops./ min. (no load).

30ops./ min. (rated load).

Expected Mechanical Life: 5 million ops (no load).

Expected Electrical Life: 100,000 ops (rated load).

Minimum Load: 1mA @ 1VDC.

Initial Contact Resistance: 50 milliohms @ 100mA, 6VDC.

Environmental Data

Temperature Range:

Operating: -40°C to +80°C.

Vibration, Mechanical: 10 to 55Hz., 1.5mm double amplitude.

Operational: 10 to 55Hz., 1.5mm double amplitude.

Shock, Mechanical: 500m/s² (50G approximately).

Operational: 100m/s² (10G approximately).

Operating Humidity: 45 to 85% RH. (Non-condensing)

Coil Data

Voltage: 5 to 24VDC.

Duty Cycle: Continuous.

Nominal Power: TSC-L: 150mW.

TSC-D: 300mW.

Max. Coil Power: TSC-L: 140% of nominal

at 70°C.

TSC-D: 115% of nominal

at 70°C.

Initial Insulation Resistance

Between Mutually Insulated

Conductors: 1,000Mohm

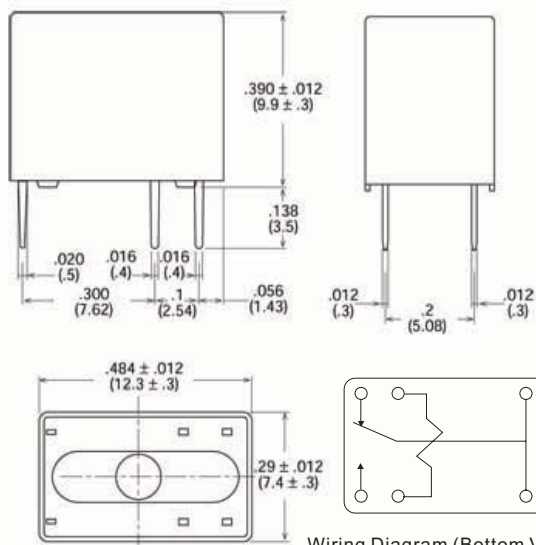
@ 500VDCM.



UL File No. E82292



CSA File No. LR48471



Wiring Diagram (Bottom View)

Mechanical Data

Termination: Printed circuit terminals.

Enclosure: Plastic sealed case.

Weight: 0.1 oz (3g) approximately.

Part No.	Product No.	Manufacturer	Description	Type	Contact Arrangement	Contact Rating	Coil Voltage	Recognized Safety	Outline L*W*H
47028	TSC-105L3H	OEG	OEG_PCB RELAY	TSC, 1 pole	1 Form C (SPDT) 1 Form C	1A 24VDC	5VDC	UL, CSA	12.50 x 7.50 x 10.00
47040	TSC-112L3H	OEG	OEG_PCB RELAY	TSC, 1 pole	1 Form C (SPDT) 1 Form C	1A 24VDC	12VDC	UL, CSA	12.50 x 7.50 x 10.00
47041	TSC-124L3H	OEG	OEG_PCB RELAY	TSC, 1 pole	1 Form C (SPDT) 1 Form C	1A 24VDC	24VDC	UL, CSA	12.50 x 7.50 x 10.00

- We provide a wide range of products to development and maintenance engineers in all type of business
- If you cannot find the components you want on the catalogue, please call us.



Taiwan: 886-3-5753170

Shanghai: 021-54151736 Shenzhen: 0755-83298787

Centenary Materials

Waiting for your phone call



T E L : Taiwan: 886-3-5753170
 F A X : Taiwan: 886-3-5753172
 E-mail : Taiwan: us_sale@100y.com.tw

Shenzhen: 86-755-83298787
 Shenzhen: 86-755-83640655
 Shenzhen: 100y@163.com

Shanghai: 86-21-54151736
 Shanghai: 86-21-64605107
 Shanghai: 100y-1@163.com