



Relays & Solenoids

RAYEX_PCB Relays

Detailed product specifications are available on: us.100y.com.tw



COIL

Pull-in Voltage: 85% of nominal voltage or less
 Drop Out Voltage: 10% of nominal voltage or more
 Max. Voltage: 110% of nominal voltage
 Resistance: ±10% measured @ 25°C
 Coil Power: See chart
 Duty: Continuous

TEMPERATURE

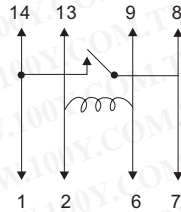
Operating: -40°C to +85°C @
 rated operation
 Storage: -40°C to +105°C

TIMING

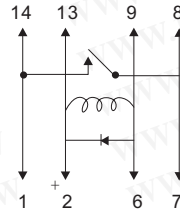
Operate time: 1 ms or less @ nominal voltage.
 Reset time: 1 ms or less @ nominal voltage.

CONTACTS

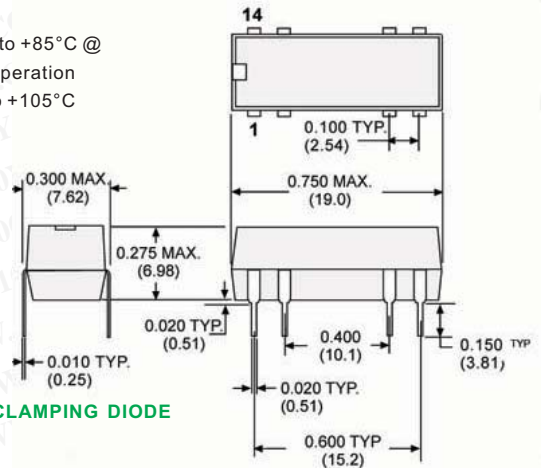
Contact Material: Rhodium
 Contact Resistance: 200 milliohms max.
 Contact Rating: 0.5 amp 100 VDC (10VA)
 1.5 amps max. Continuous carry current.



SPST-N.O.



SPST-N.O. WITH CLAMPING DIODE



Part No.	Product No.	Description	Outline L*W*H	Contact Rating	Type
20837	W107DIP	DUAL IN - LINE PACKAGE REED RELAY	19*7.62*6.98	0.5 amp 100 VDC (10VA) /1.5 amps max. Continuous carry current.	107DIP

OMRON_PCB Relays

Detailed product specifications are available on: us.100y.com.tw

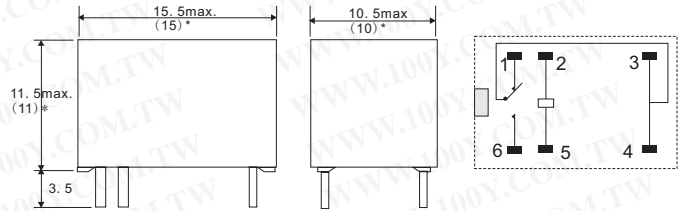


Part No.	Product No.	Manufacturer	Description	Outline L*W*H	Contact Rating	Coil Voltage	Recognized Safety	Type
11629	E-53R-DC24V	OMRON	For E5 Series Temperature Controllers Relay	20*14.5*9.5mm	250VAC/5A	24VDC	CSA	E-53



G2E

- Miniature: 15.5 x 10.5 x 11.5 mm (L x W x H).
- Low power consumption: 200 mW.
- Bifurcated crossbar contacts.
- Gold-clad contacts.
- Fully sealed type available.
- Ideal for telecommunications equipment and security systems.



Characteristics

Contact resistance: 50 mΩ max.
 Operate time: General-purpose type: 5 ms max. (mean value: approx. 2.5 ms)
 High-sensitivity type: 7 ms max. (mean value: approx. 3.5 ms)
 Release time: 3 ms max. (mean value: approx. 0.8 ms)
 Max. operating frequency: Mechanical: 18,000 operations/hr
 Electrical: 1,800 operations/hr (under rated load)

Insulation resistance: 100 MΩ min. (at 500VDC)
 Dielectric withstand voltage: 500 VAC, 50/60 Hz for 1 min between coil and contacts
 500 VAC, 50/60 Hz for 1 min between contacts of same polarity
 Ambient temperature: Operating: 25°C to 60°C (with no icing) (high-sensitivity type: 25°C to 65°C)
 Ambient humidity: Operating: 5% to 85%
 Weight: Approx. 3.7 g



Part No.	Product No.	Manufacturer	Description	Outline L*W*H	Contact Arrangement	Contact Rating	Coil Voltage	Recognized Safety	Type
36546	G2E-184P-M-US-DC1.5V	OMRON	OMRON_PCB Relay	15.5mm x 10.5mm x 11.5mm	SPDT	0.5A at 110 VAC, 1 A at 24 VDC	1.5VDC	UL, CSA	Miniature, Low-cost, Single-pole PCB
35761	G2E-184P-M-US-DC12V	OMRON	PCB Relay	15.5mm x 10.5mm x 11.5mm	SPDT	0.5A at 110 VAC, 1 A at 24 VDC	12 VDC	UL, CSA	Miniature, Low-cost, Single-pole PCB
32683	G2E-184P-M-US-DC24V	OMRON	OMRON PCB Relay	15.5mm x 10.5mm x 11.5mm	SPDT	0.5A at 110 VAC, 1 A at 24 VDC	24VDC	UL, CSA	Miniature, Low-cost, Single-pole PCB
36547	G2E-184P-M-US-DC3V	OMRON	PCB Relay	15.5mm x 10.5mm x 11.5mm	SPDT	0.5A at 110 VAC, 1 A at 24 VDC	3VDC	UL, CSA	Miniature, Low-cost, Single-pole PCB
36548	G2E-184P-M-US-DC5V	OMRON	PCB Relay	15.5mm x 10.5mm x 11.5mm	SPDT	0.5A at 110 VAC, 1 A at 24 VDC	5 VDC	UL, CSA	Miniature, Low-cost, Single-pole PCB
36549	G2E-184P-M-US-DC6V	OMRON	PCB Relay	15.5mm x 10.5mm x 11.5mm	SPDT	0.5A at 110 VAC, 1 A at 24 VDC	6VDC	UL, CSA	Miniature, Low-cost, Single-pole PCB
36550	G2E-184P-M-US-DC9V	OMRON	PCB Relay	15.5mm x 10.5mm x 11.5mm	SPDT	0.5A at 110 VAC, 1 A at 24 VDC	9VDC	UL, CSA	Miniature, Low-cost, Single-pole PCB

