

# Relays & Solenoids

## OEG\_PCB Relays

Detailed product specifications are available on: [us.100y.com.tw](http://us.100y.com.tw)



### Features

- Miniature size 18.2 x 10.2 x 14.7h.
- 1 Form A (SPST-NO) contact arrangement.
- Designed to meet UL, CSA, VDE, TUV requirements.
- Designed to meet 4kV dielectric between coil and contacts (OJ).
- Sensitive and standard coils available.
- Immersion cleanable, sealed version available.

### Contact Data @ 20°C

**Arrangements:** 1 Form A (SPST-NO).

**Material:** Ag, Ag Alloy.

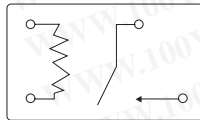
**Max. Switching Rate:** 300 ops./min. (no load).  
30 ops./min. (rated load).

**Expected Mechanical Life:** 10 million operations (no load).

**Expected Electrical Life:** 100,000 operations (rated load).

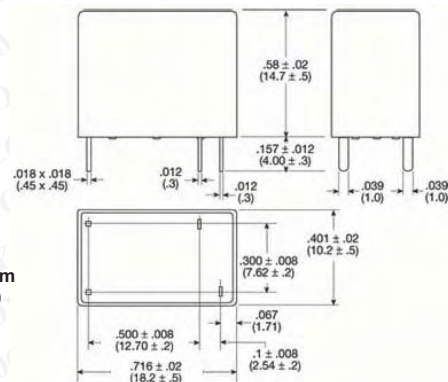
**Minimum Load:** 100mA @5VDC.

**Initial Contact Resistance:** 100 milliohms @ 1A,6VDC.



Wiring Diagram (Bottom View)

### Outline Dimensions



### Environmental Data

#### Temperature Range:

**Operating, Class A (105°C) Insulation:** OJ/OJE-L: -30°C to +80°C

OJ/OJE-D & -H: -30°C to +60°C.

**Operating, Class F (155°C) Insulation:** OJ/OJE-L: -30°C to +105°C

OJ/OJE-D and -H: -30°C to +85°C.

**Vibration, Mechanical:** 10 to 55 Hz., 1.5mm double amplitude

**Operational:** 10 to 55 Hz., 1.5mm double amplitude.

**Shock, Mechanical:** 1,000m/s<sup>2</sup> (100G approximately).

**Operational:** 100m/s<sup>2</sup> (10G approximately).

**Operating Humidity:** 20 to 85% RH. (Non-condensing).

### Mechanical Data

**Termination:** Printed circuit terminals.

**Enclosure (94V-0 Flammability Ratings):**

**OJ/OJE-SS:** Vented (Flux-tight), plastic cover.

**OJ/OJE-SH:** Sealed, plastic case.

**Weight:** 0.32 oz (9g) approximately.

- UL File No. E82292
- CSA File No. LR48471
- VDE File No. 10080
- TUV File No. R75081

Part No.	Product No.	Manufacturer	Description	Type	Contact Arrangement	Contact Rating	Coil Voltage	Recognized Safety	Outline L*W*H
47042	OJ-SH-105HM	OEG	OEG_PCB RELAY	OJ, 1 pole	1 Form A, SPST-NO	10A 250VAC	5VDC	UL, CSA, VDE, TUV	18.2*10.2*14.7
44944	OJ-SH-112LMH	OEG	OEG_PCB RELAY	OJ, 1 pole	1 Form A, SPST-NO	8A 250VAC	12VDC	UL, CSA, VDE, TUV	18.2*10.2*14.7
41065	OJ-SS-109LM	OEG	OEG_PCB RELAY	OJ, 1 pole	1 Form A, SPST-NO	3A 250VAC	9VDC	UL, CSA, VDE, TUV	18.2*10.2*14.7
47953	OJE-SS-105DM	OEG		OJE, 1 pole	1 Form A, SPST-NO	5A 250VAC	5VDC	UL, CSA, VDE, TUV	18.2*10.2*14.7
41057	OJE-SS-109LMF	OEG	OEG_PCB RELAY	OJE, 1 pole	1 Form A, SPST-NO	3A 250VAC	9VDC	UL, CSA, VDE, TUV	18.2*10.2*14.7
44945	OJE-SS-112HMF	OEG	OEG_PCB RELAY	OJE, 1 pole	1 Form A	10A 250VAC/30VDC	12VDC	UL, CSA, VDE, TUV	18.2*10.2*14.7
47043	OJE-SS-124HMF	OEG	OEG_PCB RELAY	OJE, 1 pole	1 Form A	10A 250VAC/30VDC	24VDC	UL, CSA, VDE, TUV	18.2*10.2*14.7



### FEATURES

- Meet UL 508, VDE0435 and SEMKO requirements
- 1 Form A and 1 Form C contact arrangements
- Immersion cleanable, sealed version available.
- Meet 5,000V dielectric voltage between coil and contacts
- Meet 10,000V surge voltage between coil and contacts (1.2/50µs)

### Contact Data @ 20°C

**Arrangements:** 1 Form A (SPST-NO) and 1 Form C (SPDT)

**Material:** Ag Alloy. (OMI), AgSnO (OMIH)

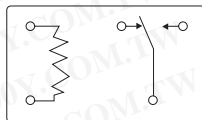
**Max. Switching Rate:** 300 ops./min. (no load).  
30 ops./min. (rated load).

**Expected Mechanical Life:** 10 million operations (no load).

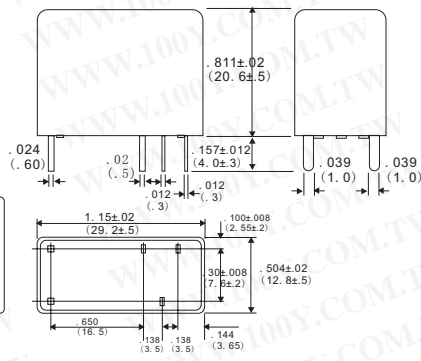
**Expected Electrical Life:** 100,000 operations (rated load).

**Minimum Load:** 100mA @5VDC.

**Initial Contact Resistance:** 100 milliohms @ 1A,6VDC.



Wiring Diagram (Bottom View)



### Environmental Data

#### Temperature Range:

**Operating, OMI/OMIH-D:** -30°C to +55°C

OMI/OMIH-L: -30°C to +70°C

**Vibration, Mechanical:** 10 to 55 Hz., 1.5mm double amplitude

**Operational:** 10 to 55 Hz., 1.5mm double amplitude.

**Shock, Mechanical:** 1,000m/s<sup>2</sup> (100G approximately).

**Operational:** 100m/s<sup>2</sup> (10G approximately).

**Operating Humidity:** 20 to 85% RH. (Non-condensing).

- UL File No. E58304
- CSA File No. LR48471
- VDE File No. 6678
- SEMKO File No. 9517235 (OMI)  
9143112 (OMIH)

### Mechanical Data

**Termination:** Printed circuit terminals.

**Enclosure (94V-0 Flammability Ratings):**

**OJ/OJE-SS:** Vented (Flux-tight), plastic cover.

**OJ/OJE-SH:** Sealed, plastic case.

**Weight:** 0.46 oz (13g) approximately.

Part No.	Product No.	Manufacturer	Description	Type	Contact Arrangement	Contact Rating	Coil Voltage	Recognized Safety	Outline L*W*H
42908	OMI-SH-112LM	OEG	OEG_PCB RELAY	OMI, 1 pole	1 Form A, SPST-NO	10A 240VAC/30VDC	12VDC	UL, CSA, VED, SEMKO	29.2*12.8*20.6
35373	OMI-SS-112L	OEG	OEG_PCB RELAY	OMI, 1 pole	1 Form C, SPDT	10A 240VAC/30VDC	12VDC	UL, CSA, VED, SEMKO	29.2*12.8*20.6
14875	OMI-SS-212D M	OEG	OEG_PCB RELAY	OMI, 2 pole	2 Form A, DPST-NO	5A 240VAC/30VDC	12VDC	UL, CSA, VED, SEMKO	29.2*12.8*20.6
23942	OMI-SS-212L	OEG	OEG_PCB RELAY	OMI, 2 pole	2 Form C, DPDT	5A 250VAC/28VDC	12VDC	UL, CSA, VED, SEMKO	29.2*12.8*20.6
23963	OMI-SS-224DM	OEG	OEG_PCB RELAY	OMI, 2 pole	2 Form A, DPST-NO	5A 250VAC/28VDC	24VDC	UL, CSA, VED, SEMKO	29.2*12.8*20.6
23943	OMI-SS-224L	OEG	OEG_PCB RELAY	OMI, 2 pole	2 Form C, DPDT	5A 250VAC/28VDC	24Vdc	UL, CSA, VED, SEMKO	29.2*12.8*20.6
45032	OMIH-SH-105L	OEG	OEG_PCB RELAY	OMIH, 1 pole	1 Form C, SPDT	16A 240VAC/30VDC	5VDC	UL, CSA, VDE, SEMKO	29.2*12.8*20.6
28783	OMIH-SH-112L	OEG	OEG_PCB RELAY	OMIH, 1 pole	1 Form C, SPDT	16A 240VAC/30VDC	12VDC	UL, CSA, VDE, SEMKO	29.2*12.8*20.6
14877	OMIH-SS-112L	OEG	OEG_PCB RELAY	OMIH, 1 pole	1 Form C, SPDT	16A 240VAC/30VDC	12VDC	UL, CSA, VDE, SEMKO	29.2*12.8*20.6
23945	OMIH-SS-124L	OEG	OEG_PCB RELAY	OMIH, 1 pole	1 Form C, SPDT	16A 240VAC/30VDC	24VDC	UL, CSA, VDE, SEMKO	29.2*12.8*20.6



T E L : Taiwan: 886-3-5753170  
F A X : Taiwan: 886-3-5753172  
E-mail : Taiwan: [us\\_sale@100y.com.tw](mailto:us_sale@100y.com.tw)

Shenzhen: 86-755-83298787  
Shenzhen: 86-755-83640655  
Shenzhen: 100y@163.com

Shanghai: 86-21-54151736  
Shanghai: 86-21-64605107  
Shanghai: 100y-1@163.com