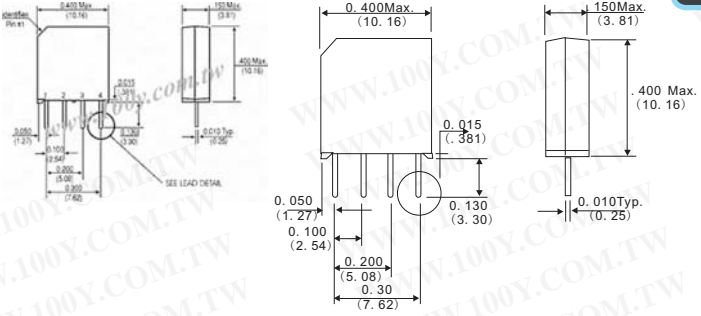




Relays & Solenoids

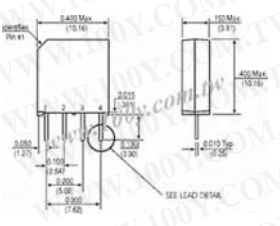
SIL PCB Reed Relays

Detailed product specifications are available on: us.100y.com.tw



The 9012 package dimensions are 47% smaller than standard 9000 SIPs, yet the relay retains the 10W switch ratings of its larger counterparts. The 9011 package dimensions are 65% smaller than the standard 9000 SIPs and incorporates Coto's 7mm switch rated at 3W. The 9117 goes one step further, reducing package size by 65% from standard 9000SIPs. This is the smallest SIP footprint with a 3W rating. These minia-ture SIP relays are ideal for use in ATE applications and other highreliability test, measurement and telecommunications applications where high board density and long life are key requirements.

Part No.	Product No.	Manufacturer	Description	L*W*H(mm)	Carry current (A)	Coil Volt.
38716	9012-05-10	COTO Relay	COTO relay	400" x .150" x .400"	1.5A	500 V 750V

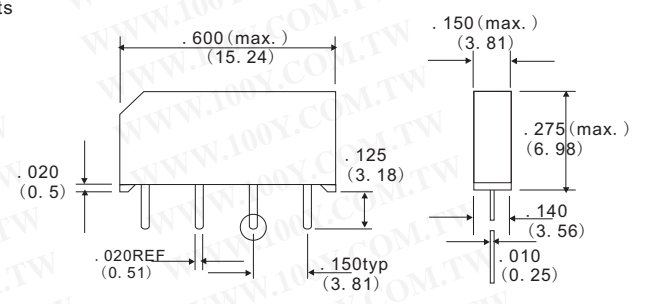
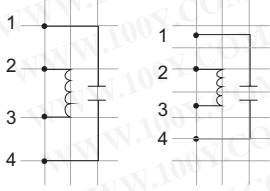


Series Features

- 9012 is a 10W SIP relay (.400" x .150" x .400")
- 9011 is a 3W SIP relay (.400" x .150" x .265")
- 9091 is a 10W SIP measure relay (.600" x .150" x .275")
- Magnetic shielding reduces interaction
- Optional coil suppression diode protects coil drive circuits
- UL File # E67117

- High insulation resistance $10^{12} \Omega$ minimum. (type: $10^{13} \Omega$)
- High speed switching
- Molded thermost body on integral lead frame design
- High reliability, hermetically sealed contacts for long life

The 9012 package dimensions are 47% smaller than standard 9000 SIPs, yet the relay retains the 10W switch ratings of its larger counterparts. The 9011 package dimensions are 65% smaller than the standard 9000 SIPs. This is the smallest SIP footprint with a 3W rating. These minia-ture SIP relays are ideal for use in ATE applications and other highreliability test, measurement and teleco-mmunications applications where high board density and long life are key requirements.



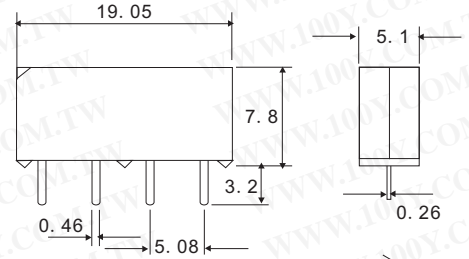
Part No.	Product No.	Manufacturer	Description	L*W*H(mm)	Carry current (A)	Coil Volt.
48264	9091-05-00	COTO Relay	COTO relay 10W SIP/4P measure relay	600" x .150" x .275"	1.5A	5-12VDC

SPECIFICATION

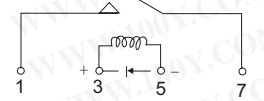
- Contact Arrangement: 1Form A
- Contact Material: Ru/Rh
- Contact Resistance : Max.150m Ω (initial)
- Operate Time: Max.1.0m Sec.
- Release Time: Max.0.5m Sec.
- Ambient Temperature: -40°C ~+85°C
- Insulation Resistance: Min. 100M Ω at 500VDC
- Vibration Resistance : 1.5mm D.A. 10-55HZ
- Mechanical Life: 1 10^8 operations (at no load)
- Electrical Life: 1 10^8 operations (at rated load)
- Weight : Approx.1.5g

FEATURES:

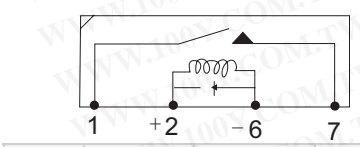
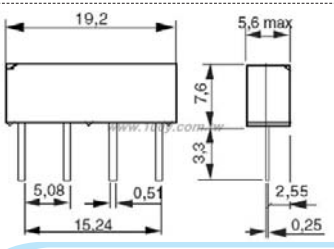
- 1 Form A Contact
- SIP Terminal
- Application for Fax Modem, Telecommunication Security Alarm System
- UL File No. E147052



WIRING DIAGRAM Bottom view



Part No.	Product No.	Manufacturer	Description	Carry current (A)	Coil Volt.	Safety criterion
47024	BRS-1A05	Bestar	Bestar_BRS SIP Reed relay	1A	5V	UL



Part No.	Product No.	Manufacturer	Description	L*W*H(mm)	Contact Type	Carry current (A)	Coil Volt.
17718	D41A3110L	Celduc	SIL PCB Reed Relays 1PST-NO COIL:5Vdc	19*5*7.5	1NO	0.5A	5Vdc

• We provide a wide range of products to development and maintenance engineers in all type of business

Centenary Materials



T E L : Taiwan: 886-3-5753170
 F A X : Taiwan: 886-3-5753172
 E-mail : Taiwan: us_sale@100y.com.tw

Shenzhen: 86-755-83298787
 Shenzhen: 86-755-83640655
 Shenzhen: 100y@163.com

Shanghai: 86-21-54151736
 Shanghai: 86-21-64605107
 Shanghai: 100y-1@163.com