

# Relays & Solenoids

## Reed Relays DIP PCB Reed Relays

Detailed product specifications are available on: [us.100y.com.tw](http://us.100y.com.tw)

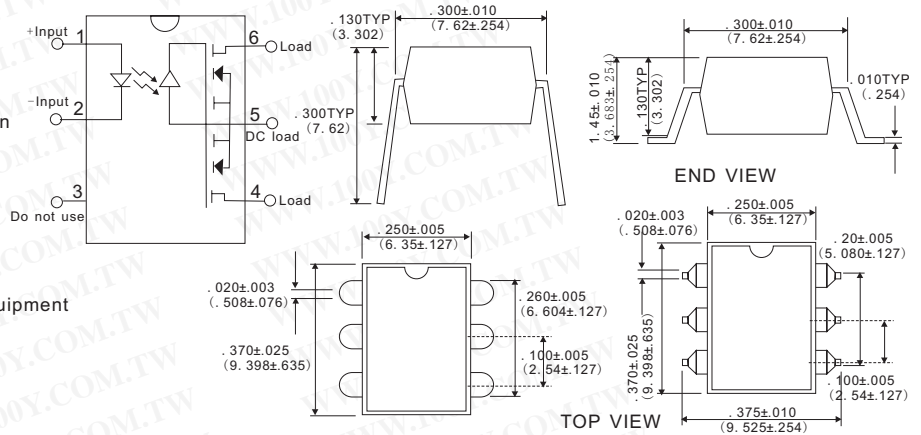


**FEATURES:**

- DIP 6 Pins Package
- High Reliability
- High Input/Output Isolation
- Low On-State Resistance
- UL, CSA & BABT

**APPLICATION:**

- Security Alarm System
- Telecom Switching
- Test and Measurement Equipment
- Medical Equipment
- Industrial Control



Part No.	Product No.	Manufacturer	Description	Contact Type	Carry current (A)	Coil Volt.	Safe criterion
47268	AD6-C111	Bestar	PhotoMOS Relay	1 Form A	120mA	400v	UL,CSA & BABT



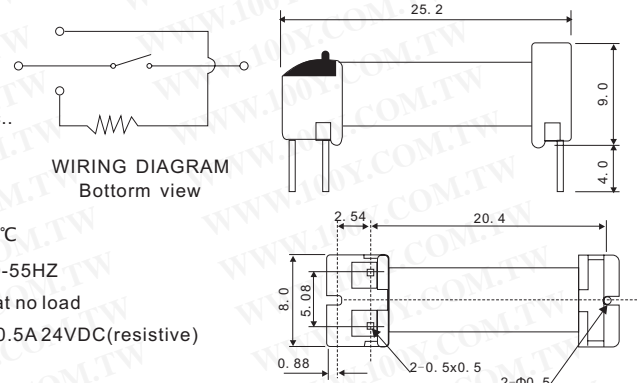
**FEATURES:**

- Small size, light weight and low cost
- Application: Mainly use in Cordless Phone,
- Answering: Machine and Security Alarm system etc..
- UL File No. E147052

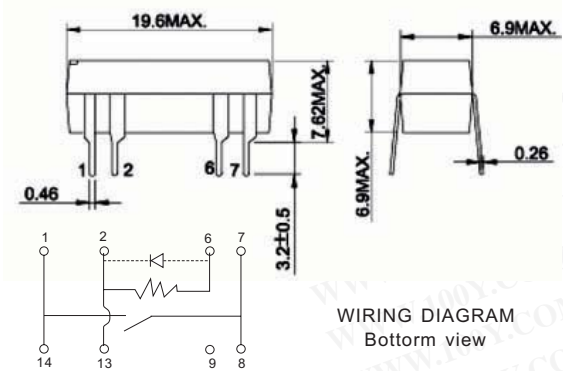
**SPECIFICATIONS:**

Contact Arrangement : 1 Form A  
 Contact Resistance : Max.150m Ω (initial)  
 Operate Time : Max.1.0mSec.  
 Release Time : Max.0.5mSec.  
 Surge Strength : 3000V  
 Insulation Resistance : Min.100M Ω at 500VDC,  
 1000M Ω at 100VDC

Ambient Temperature : -30 °C ~+70 °C  
 Vibration Resistance : 1.5mm D.A.10-55HZ  
 Mechanical Life : 1×10<sup>8</sup> operations at no load  
 Electrical Life : 1×10<sup>6</sup> operations at 0.5A 24VDC(resistive)  
 Weight : Approx.4.5g



Part No.	Product No.	Manufacturer	Description	Carry current (A)	Coil Volt.	Safe criterion
47017	BR-500Q-H-5VDC	Bestar	BR REED RELAY	1A	5V	UL



**FEATURES:**

- 1 Form A Contact
- DIP Terminal
- Application for Fax Modem, Telecommunication Security Alarm System
- UL File No. E147052

**SPECIFICATION:**

Contact Arrangement : 1Form A  
 Contact Material : Ru/Rh  
 Contact Resistance : Max.150m Ω (initial)  
 Operate Time : Max.1.0m Sec.  
 Release Time : Max.0.5m Sec.  
 Ambient Temperature : -40°C ~+85°C

Insulation Resistance : Min.100M Ω at 500VDC  
 Vibration Resistance : 1.5mm D.A.10-55HZ  
 Mechanical Life : 1×10<sup>8</sup> operations (at no load)  
 Electrical Life : 1×10<sup>8</sup> operations (at rated load)  
 Weight : Approx.2g

Part No.	Product No.	Manufacturer	Description	Carry current (A)	Coil Volt.	Safe criterion
47025	BRD-1A05	Bestar	Bestar_BRD DIP Reed relay	1A	5V	UL



**FEATURES:**

- Sub-miniature size (19×15.5×15.2mm)
- High Switching Capacity up to 12A
- UL File No. E147052
- CSA File No.LR76479-1
- TUV File No.R9754066

**SPECIFICATIONS:**

Contact Arrangement : 1 Form A, 1 Form C  
 Contact Material: AgCdO  
 Max.Switching Voltage : 240VAC,60VDC  
 Min.Switching Load : 100mA 5VDC  
 Contact Resistance: Max.100m Ω (initial)  
 Insulation Resistance: Min. 1000M Ω at 500VDC  
 Surge Strength : 2000V  
 Operate Time : Max. 10m Sec.  
 Release Time : Max. 5m Sec.

Ambient Temperature : -30°C ~+70°C  
 Shock Resistance : Min. 10G Unerror  
 Mechanical Life : 1×10<sup>7</sup>operations (at no Load)  
 Electrical Life : 1×10<sup>5</sup> operations (at rated load)  
 Weight : Approx.8g

