

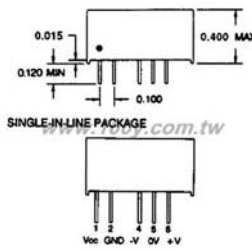


Power Supplies & UPS

DC/DC Single Output Power Converters

Detailed product specifications are available on: us.100y.com.tw

Part No.	Product No.	Manufacturer	Description	DCVout	DCVin	Current	Watts	Efficiency %
21413	MSIW1022	MINMAX	2:1 Wide Input Range DC/DC Converters	5VDC	12VDC(9~18Vin)	60~600mA	3W	79%
21414	MSIW1023	MINMAX	2:1 Wide Input Range DC/DC Converters	12VDC	12VDC(9~18Vin)	25~250mA	3W	82%
21415	MSIW1024	MINMAX	2:1 Wide Input Range DC/DC Converters	15VDC	12VDC(9~18Vin)	20~200mA	3W	82%
21419	MSIW1031	MINMAX	2:1 Wide Input Range DC/DC Converters	3.3VDC	24VDC(18~36Vin)	70~700mA	3W	76%
21420	MSIW1032	MINMAX	2:1 Wide Input Range DC/DC Converters	5VDC	24VDC(18~36Vin)	60~600mA	3W	80%
21422	MSIW1033	MINMAX	2:1 Wide Input Range DC/DC Converters	12VDC	24VDC(18~36Vin)	25~250mA	3W	83%
21423	MSIW1034	MINMAX	2:1 Wide Input Range DC/DC Converters	15VDC	24VDC(18~36Vin)	20~200mA	3W	83%
21427	MSIW1041	MINMAX	2:1 Wide Input Range DC/DC Converters	3.3VDC	48VDC(36~75Vin)	70~700mA	3W	76%
21428	MSIW1042	MINMAX	2:1 Wide Input Range DC/DC Converters	5VDC	48VDC(36~75Vin)	60~600mA	3W	80%
21429	MSIW1043	MINMAX	2:1 Wide Input Range DC/DC Converters	12VDC	48VDC(36~75Vin)	25~250mA	3W	83%
21430	MSIW1044	MINMAX	2:1 Wide Input Range DC/DC Converters	15VDC	48VDC(36~75Vin)	20~200mA	3W	83%

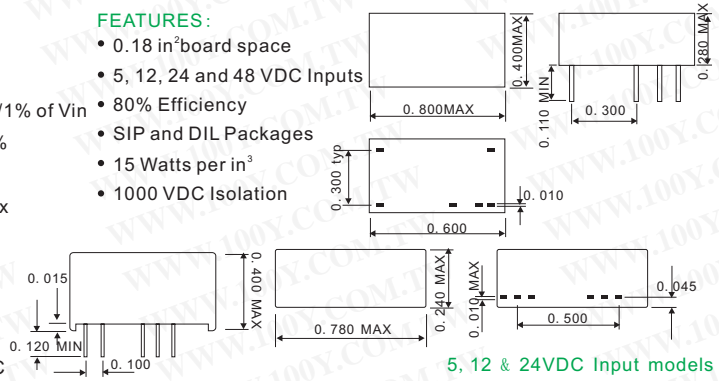


SPECIFICATIONS:

- Input voltage range.....±10%
- Output voltage accuracy.....±5%
- Line regulation (10% to 100% Load).....1.2%/1% of Vin
- Load regulation (10% to 100% Load).....±10%
- Short circuit protection.....1 second max.
- Temperature coefficient.....0.03% per °C max
- Operating temperature range, 5V and 12V inputs.....-40°C to 85°C (no derating)
- Operating temperature range, 24V and 48V inputs.....0°C to 70°C (no derating)
- Storage temperature range.....-55°C to 150°C

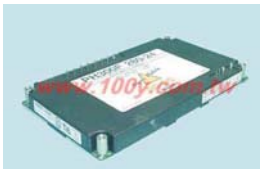
FEATURES:

- 0.18 in² board space
- 5, 12, 24 and 48 VDC Inputs
- 80% Efficiency
- SIP and DIL Packages
- 15 Watts per in³
- 1000 VDC Isolation



5, 12 & 24VDC Input models

Part No.	Product No.	Description	DCVout	DCVin	Current	Watts	Efficiency %
46357	NMA0505S	DC/DC Converters	±5VDC	5VDC	±40mA	1W	70% typical, 65% min.
28571	NMA0512S	single-DC to DC Converter	+12VDC	5VDC	+40mA	1W	70% typical, 65% min.



FEATURES:

- Wide input DC range
- 24V, 48V, 110V and 300VDC input options
- Output power: 50W, 75W, 100W, 150W and 300W
- Output voltage trim
- Wide baseplate operating temperature -20°C~85°C
- Parallel and N+1 operation "F" series modules
- Fully isolated and regulated output
- International safety approvals and CE marked
- OVP, overload protection • Overtemperature protection
- Fully encapsulated, suitable for harsh environments
- Suitable for a wide range of industrial applications

SPECIFICATIONS:

- INPUT VOLTAGE: 24VDC(18~36V) 48VDC(36~72V) 110VDC(82~185V) 280VDC(200~400V)
- EFFICIENCY: Model dependent 68%~90%
- OUTPUT VOLTAGE: F series: 2, 3, 5, 15, 24VDC S series: 5, 12, 15, 24, 28VDC
- OUTPUT POWER: 50~300 watts
- LINE REGULATION: 0.4% or 20 mV, whichever is greater
- LOAD REGULATION: 0.8% or 40mV, whichever is greater
- TEMP. CO-EFFICIENT: 0.02% per °C
- OVERLOAD PROTECTION: Overload protection set at 105%~140% constant current with auto recovery
- SAFETY: UL1950, CSA, EN60950

Part No.	Product No.	Description	DCVout	DCVin	Current	Watts
17351	PH300F280-24	DC-DC Single Output Power Converters	24V	200-400V	12.6A	300W



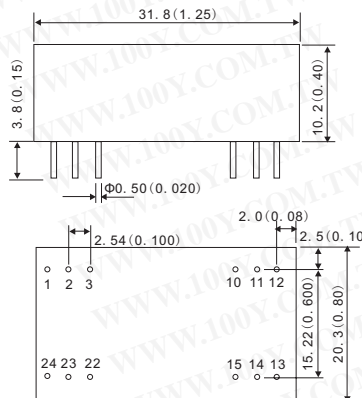
S200R Series

FEATURES:

- Low Cost
- 500VDC Isolation
- MTBF > 800,000 Hours
- 40mV P-P Ripple and Noise
- Input 5, 12, 24 and 48VDC
- Output 5, 12, 15, ±12 and ±15VDC
- Temperature Performance -25°C to +71°C
- Short Circuit Protection
- UL 94V-0 Package Material
- Internal SMD Construction

SPECIFICATIONS:

- Operating temperature: Ambient: -25°C~+71°C Case: -25°C~+90°C
- Storage temperature: -40°C~+125°C
- Output short circuit: Continuous
- Load regulation: I_o=10% to 100% Typ. ±0.2% Max. ±0.5%
- Ripple & Noise (20MHz): Max: 5mV rms.



Pin	Single output	Dual output
1	+Vin	+Vin
2	NC	-Vout
3	NC	Common
10	-Vout	Common
11	+Vout	+Vout
12	-Vin	-Vin
13	-Vin	-Vin
14	+Vout	+Vout
15	-Vout	Common
22	NC	Common
23	NC	-Vout
24	+Vin	+Vin



Part No.	Product No.	Manufacturer	Description	DCVout	DCVin	Current	Watts	Efficiency %
44847	S201R	MINMAX	DC to DC Single Output Power Converters	4.5~5.5Vin	5	400ma	2W	50%



T E L : Taiwan: 886-3-5753170
 F A X : Taiwan: 886-3-5753172
 E-mail: Taiwan: sale@100y.com.tw

Shenzhen: 86-755-83298787
 Shenzhen: 86-755-83640655
 Shenzhen: 100y@163.com

Shanghai: 86-21-54151736
 Shanghai: 86-21-64605107
 Shanghai: 100y-1@163.com