



Power Supplies & UPS

DC/DC Single Output Power Converters

Detailed product specifications are available on: us.100y.com.tw



MCW1022 Series

FEATURES:

- High Efficiency up to 80%
- 2:1 Input Range
- I/O Isolation 1000VDC
- Industry Standard Pinout
- SMT Technology
- Short Circuit Protection
- MTBF > 1,000,000 Hours
- External ON/OFF-Control
- Low Ripple and Noise

SPECIFICATIONS:

Operating temperature: Ambient: -40°C~+85°C

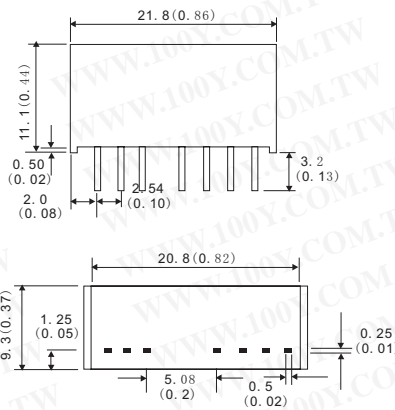
Case: -40°C~+90°C

Storage temperature: -55°C~+105°C

Output short circuit: Continuous

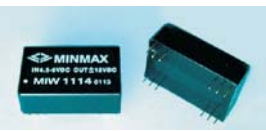
Load regulation: I_o=25% to 100% Typ. ±0.5% Max. ±0.75%

Ripple & Noise (20MHz): Max: 15mV rms.



Pin	Single output
1	-VIN (GND)
2	+VIN (VCC)
3	Remote ON/OFF
5	No function
6	+VOUT
7	-VOUT
8	No function

Part No.	Product No.	Manufacturer	Description	DCVout	DCVin	Current	Watts	Efficiency %
28448	MCW1022	MINMAX	Wide Input Range DC/DC Converters(Single Outputs)	5	12V	400mA	2W	77



MIW1000 Series

FEATURES:

- High Efficiency up to 84%
- 2:1 Input Range
- I/O Isolation 1500VDC
- Industry Standard Pinout
- SMT Technology
- Short Circuit Protection
- MTBF > 1,000,000 Hours

SPECIFICATIONS:

Operating temperature: Ambient: -40°C~+71°C

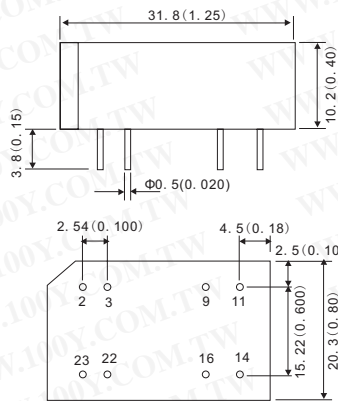
Case: -40°C~+90°C

Storage temperature: -40°C~+125°C

Output short circuit: Continuous

Load regulation: I_o=10% to 100% Typ. ±0.2% Max. ±0.5%

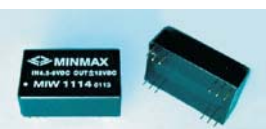
Ripple & Noise (20MHz): Max: 15mV rms.



Pin	Single output	Dual output
2	-Vin	-Vin
3	-Vin	-Vin
9	No Pin	Common
11	NC	-Vout
14	+Vout	+Vout
16	-Vout	Common
22	+Vin	+Vin
23	+Vin	+Vin



Part No.	Product No.	Manufacturer	Description	DCVout	DCVin	Current	Watts	Efficiency %
21434	MIW1011	MINMAX	2:1 Wide Input Range DC/DC Converters	3.3VDC	5VDC(4.5~9Vin)	60~600mA	2~3W	70%
21435	MIW1012	MINMAX	2:1 Wide Input Range DC/DC Converters	5VDC	5VDC(4.5~9Vin)	50~500mA	2~3W	73%
21436	MIW1013	MINMAX	2:1 Wide Input Range DC/DC Converters	12VDC	5VDC(4.5~9Vin)	25~250mA	2~3W	77%
21437	MIW1014	MINMAX	2:1 Wide Input Range DC/DC Converters	15VDC	5VDC(4.5~9Vin)	20~200mA	2~3W	77%
21438	MIW1021	MINMAX	2:1 Wide Input Range DC/DC Converters	3.3VDC	12VDC(9~18Vin)	60~600mA	2~3W	74%
21439	MIW1022	MINMAX	2:1 Wide Input Range DC/DC Converters	5VDC	12VDC(9~18Vin)	50~500mA	2~3W	78%
21440	MIW1023	MINMAX	2:1 Wide Input Range DC/DC Converters	12VDC	12VDC(9~18Vin)	25~250mA	2~3W	82%
21441	MIW1024	MINMAX	2:1 Wide Input Range DC/DC Converters	15VDC	12VDC(9~18Vin)	20~200mA	2~3W	82%
21442	MIW1031	MINMAX	2:1 Wide Input Range DC/DC Converters	3.3VDC	24VDC(18~36Vin)	60~600mA	2~3W	76%
21443	MIW1032	MINMAX	2:1 Wide Input Range DC/DC Converters	5VDC	24VDC(18~36Vin)	50~500mA	2~3W	79%
21444	MIW1033	MINMAX	2:1 Wide Input Range DC/DC Converters	12VDC	24VDC(18~36Vin)	25~250mA	2~3W	84%
21445	MIW1034	MINMAX	2:1 Wide Input Range DC/DC Converters	15VDC	24VDC(18~36Vin)	20~200mA	2~3W	84%
21446	MIW1041	MINMAX	2:1 Wide Input Range DC/DC Converters	3.3VDC	48VDC(36~72Vin)	60~600mA	2~3W	76%
21447	MIW1042	MINMAX	2:1 Wide Input Range DC/DC Converters	5VDC	48VDC(36~72Vin)	50~500mA	2~3W	79%
21448	MIW1043	MINMAX	2:1 Wide Input Range DC/DC Converters	12VDC	48VDC(36~72Vin)	25~250mA	2~3W	84%
21449	MIW1044	MINMAX	2:1 Wide Input Range DC/DC Converters	15VDC	48VDC(36~72Vin)	20~200mA	2~3W	84%



MIW1100 Series

FEATURES:

- High Efficiency up to 81%
- 2:1 Input Range
- I/O Isolation 1500VDC
- Industry Standard Pinout
- SMT Technology
- Short Circuit Protection
- EMI Complies With EN55022 Class A
- MTBF > 1,000,000 Hours

SPECIFICATIONS:

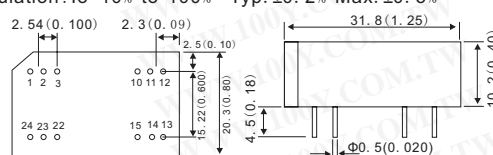
Operating temperature: Ambient: -40°C~+71°C

Case: -40°C~+90°C

Storage temperature: -40°C~+125°C

Output short circuit: Continuous

Load regulation: I_o=10% to 100% Typ. ±0.2% Max. ±0.5%



Pin	Single output	Dual output
1	+Vin	+Vin
2	NC	-Vout
3	NC	Common
10	-Vout	Common
11	+Vout	+Vout
12	-Vin	-Vin
13	-Vin	-Vin
14	+Vout	+Vout
15	-Vout	Common
22	NC	Common
23	NC	-Vout
24	+Vin	+Vin

Part No.	Product No.	Manufacturer	Description	DCVout	DCVin	Current	Watts	Efficiency %
21463	MIW1111	MINMAX	DC to DC Single Output Power Converters	5VDC	4.5~9VDC	600mA	3W	70%



T E L : Taiwan: 886-3-5753170
 F A X : Taiwan: 886-3-5753172
 E-mail: Taiwan: sale@100y.com.tw

Shenzhen: 86-755-83298787
 Shenzhen: 86-755-83640655
 Shenzhen: 100y@163.com

Shanghai: 86-21-54151736
 Shanghai: 86-21-64605107
 Shanghai: 100y-1@163.com