

Power Supplies & UPS

DC/DC Single Output Power Converters

Detailed product specifications are available on: us.100y.com.tw

Part No.	Product No.	Manufacturer	Description	DCVout	DCVin	Current	Watts	Efficiency %
21552	MAU202	MINMAX	DC to DC Single Output Power Converters	5V	4.5~5.5V	200mA	1W	71%
21553	MAU203	MINMAX	DC to DC Single Output Power Converters	9V	4.5~5.5V	110mA	1W	76%
21558	MAU204	MINMAX	DC to DC Single Output Power Converters	12V	4.5~5.5V	84mA	1W	78%
21559	MAU205	MINMAX	DC to DC Single Output Power Converters	15V	4.5~5.5V	67mA	1W	78%
21547	MAU211	MINMAX	DC to DC Single Output Power Converters	3.3V	10.8~13.2V	260mA	1W	74%
21550	MAU212	MINMAX	DC to DC Single Output Power Converters	5V	10.8~13.2V	200mA	1W	73%
21554	MAU213	MINMAX	DC to DC Single Output Power Converters	9V	10.8~13.2V	110mA	1W	78%
21557	MAU214	MINMAX	DC to DC Single Output Power Converters	12V	10.8~13.2V	84mA	1W	80%
21560	MAU215	MINMAX	DC to DC Single Output Power Converters	15V	10.8~13.2V	67mA	1W	80%
21548	MAU221	MINMAX	DC to DC Single Output Power Converters	3.3V	21.6~26.4V	260mA	1W	73%
21549	MAU222	MINMAX	DC to DC Single Output Power Converters	5V	21.6~26.4V	200mA	1W	71%
21555	MAU223	MINMAX	DC to DC Single Output Power Converters	9V	21.6~26.4V	110mA	1W	76%
21556	MAU224	MINMAX	DC to DC Single Output Power Converters	12V	21.6~26.4V	84mA	1W	78%
21561	MAU225	MINMAX	DC to DC Single Output Power Converters	15V	21.6~26.4V	67mA	1W	79%



FEATURES:

- Efficiency up to 83%
- Miniature Package
- I/O Isolation 1000VDC
- SMT Technology
- Lost Cost
- MTBF > 2,000,000 Hours

SPECIFICATIONS:

Operating temperature: Ambient: -40°C~+70°C
Case: -25°C~+90°C

Storage temperature: -40°C~+125°C

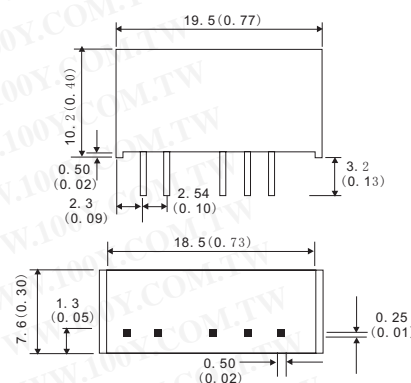
Over load: 120%

Output short circuit: 0.5 second max.

Load regulation: $I_o=20\%$ to 100% See model selection guide

Ripple & Noise (20MHz): 5mV rms.

Pin number	Single	Dual
1	+Vin	+Vin
2	-Vin	-Vin
4	-Vout	-Vout
5	No Pin	Common
6	+Vout	+Vout



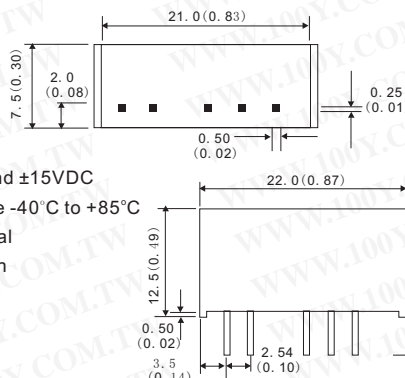
Part No.	Product No.	Manufacturer	Description	DCVout	DCVin	Current	Watts	Efficiency %
14176	MAU301	MINMAX	DC to DC Single Output Power Converters	3.3V	4.5~5.5V	10~500mA	2W	73%
21508	MAU302	MINMAX	DC to DC Single Output Power Converters	5V	4.5~5.5V	8~400mA	2W	76%
14177	MAU303	MINMAX	DC to DC Single Output Power Converters	12V	4.5~5.5V	3~165mA	2W	80%
21509	MAU304	MINMAX	DC to DC Single Output Power Converters	15V	4.5~5.5V	2.5~133mA	2W	80%
21505	MAU311	MINMAX	DC to DC Single Output Power Converters	3.3V	10.8~13.2V	10~500mA	2W	74%
14180	MAU312	MINMAX	DC to DC Single Output Power Converters	5V	10.8~13.2V	8~400mA	2W	78%
21512	MAU313	MINMAX	DC to DC Single Output Power Converters	12V	10.8~13.2V	3~165mA	2W	82%
21510	MAU314	MINMAX	DC to DC Single Output Power Converters	15V	10.8~13.2V	2.5~133mA	2W	83%
21506	MAU321	MINMAX	DC to DC Single Output Power Converters	3.3V	21.6~26.4V	10~500mA	2W	74%
21507	MAU322	MINMAX	DC to DC Single Output Power Converters	5V	21.6~26.4V	8~400mA	2W	77%
21513	MAU323	MINMAX	DC to DC Single Output Power Converters	12V	21.6~26.4V	3~165mA	2W	81%
21511	MAU324	MINMAX	DC to DC Single Output Power Converters	15V	21.6~26.4V	2.5~133mA	2W	82%



FEATURES:

- Efficiency up to 75%
- 6000VDC Isolation
- MTBF > 2,000,000 Hours
- Low Cost
- Input 5 and 12VDC
- Output 5, 12, 15, ±5, ±12 and ±15VDC
- Temperature Performance -40°C to +85°C
- UL 94V-0 Package Material
- Internal SMD Construction
- Industry Standard Pinout

Pin number	Single	Dual
1	+Vin	+Vin
2	-Vin	-Vin
4	-Vout	-Vout
5	No Pin	Common
6	+Vout	+Vout



SPECIFICATIONS:

Operating temperature: Ambient: -25°C~+70°C
Case: -25°C~+90°C

Storage temperature: -40°C~+125°C

Over load: 120%

Output short circuit: 0.5 second max.

Load regulation: $I_o=20\%$ to 100% See model selection guide

Ripple & Noise (20MHz): 5mV rms.



Part No.	Product No.	Manufacturer	Description	DCVout	DCVin	Current	Watts	Efficiency %
44837	MAU401	MINMAX	DC to DC Single Output Power Converters	4.5~5.5Vin	5	200ma	1	10%



T E L : Taiwan: 886-3-5753170
F A X : Taiwan: 886-3-5753172
E-mail: sale@100y.com.tw

Shenzhen: 86-755-83298787
Shenzhen: 86-755-83640655
Shenzhen: 100y@163.com

Shanghai: 86-21-54151736
Shanghai: 86-21-64605107
Shanghai: 100y-1@163.com