



Power Supplies & UPS

DC/DC Single Output Power Converters

Detailed product specifications are available on: us.100y.com.tw

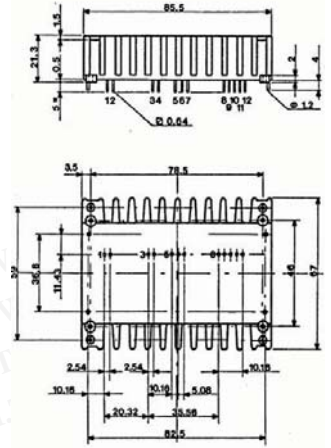


FEATURES:

- MTBF in excess of 200,000 hours
- 4A max output current
- 46V max input voltage
- 4V max drop-out voltage
- Soft start
- Remote logic inhibit/enable
- Remote output voltage sense
- Non-latching overload and short circuit protection
- Crow-bar output overvoltage protection

DESCRIPTION:

The GS-R400 series is a versatile family of highcurrent, high voltage step-down switching voltage regulators. The integral heatsink allows a large power handling capability and it provides also an effective shielding to minimize EMI.



Part No.	Product No.	Manufacturer
42792	GS-R424	ST(SGS)



FEATURES:

- Efficiency up to 81%
- Miniature Package
- I/O Isolation 1000VDC
- SMT Technology
- Lost Cost
- MTBF > 2,000,000 Hours

SPECIFICATIONS:

Operating temperature: Ambient: -40°C~+85°C
Case: -25°C~+90°C

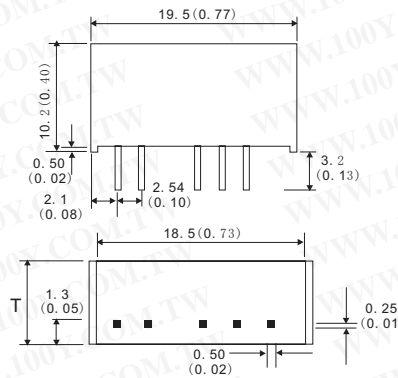
Storage temperature: -40°C~+125°C

Over load: 120%

Output short circuit: 0.5 second max.

Load regulation: I_o=20% to 100% See model selection guide

Ripple & Noise (20MHz): 5mV rms.



Pin number	Single	Dual
1	+Vin	+Vin
2	-Vin	-Vin
4	-Vout	-Vout
5	No Pin	Common
6	+Vout	+Vout

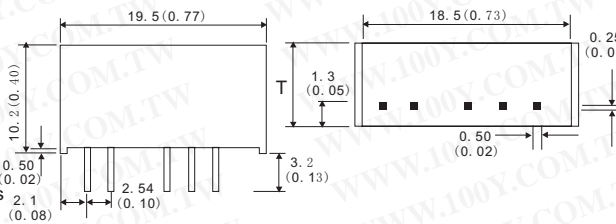


Part No.	Product No.	Manufacturer	Description	DCVout	DCVin	Current	Watts	Efficiency %
21520	MAU101	MINMAX	DC to DC Single Output Power Converters	3.3V	4.5~5.5V	260mA	1W	73%
21521	MAU102	MINMAX	DC to DC Single Output Power Converters	5V	4.5~5.5V	200mA	1W	71%
21522	MAU103	MINMAX	DC to DC Single Output Power Converters	9V	4.5~5.5V	110mA	1W	76%
14170	MAU104	MINMAX	DC to DC Single Output Power Converters	12V	4.5~5.5V	84mA	1W	78%
21523	MAU105	MINMAX	DC to DC Single Output Power Converters	15V	4.5~5.5V	67mA	1W	78%
21530	MAU111	MINMAX	DC to DC Single Output Power Converters	3.3V	10.8~13.2V	260mA	1W	74%
14171	MAU112	MINMAX	DC to DC Single Output Power Converters	5V	10.8~13.2V	200mA	1W	73%
21534	MAU113	MINMAX	DC to DC Single Output Power Converters	9V	10.8~13.2V	110mA	1W	78%
21537	MAU114	MINMAX	DC to DC Single Output Power Converters	12V	10.8~13.2V	84mA	1W	80%
21541	MAU115	MINMAX	DC to DC Single Output Power Converters	15V	10.8~13.2V	67mA	1W	80%
21531	MAU121	MINMAX	DC to DC Single Output Power Converters	3.3V	21.6~26.4V	260mA	1W	73%
21533	MAU122	MINMAX	DC to DC Single Output Power Converters	5V	21.6~26.4V	200mA	1W	71%
21535	MAU123	MINMAX	DC to DC Single Output Power Converters	9V	21.6~26.4V	110mA	1W	76%
21536	MAU124	MINMAX	DC to DC Single Output Power Converter s	12V	21.6~26.4V	84mA	1W	78%
21540	MAU125	MINMAX	DC to DC Single Output Power Converters	15V	21.6~26.4V	67mA	1W	79%
21532	MAU151	MINMAX	DC to DC Single Output Power Converters	5V	13.5~16.5V	200mA	1W	72%
21538	MAU152	MINMAX	DC to DC Single Output Power Converters	12V	13.5~16.5V	84mA	1W	79%
21539	MAU153	MINMAX	DC to DC Single Output Power Converters	15V	13.5~16.5V	67mA	1W	79%



FEATURES:

- Efficiency up to 81%
- Miniature Package
- I/O Isolation 3000VDC
- SMT Technology
- Lost Cost
- MTBF > 2,000,000 Hours



Pin number	Single	Dual
1	+Vin	+Vin
2	-Vin	-Vin
5	-Vout	-Vout
6	No Pin	Common
7	+Vout	+Vout



SPECIFICATIONS:

Operating temperature: Ambient: -40°C~+85°C Case: -25°C~+90°C

Storage temperature: -40°C~+125°C

Over load: 120%

Output short circuit: 0.5 second max.

Load regulation: I_o=20% to 100% See model selection guide

Ripple & Noise (20MHz): 5mV rms.

Part No.	Product No.	Manufacturer	Description	DCVout	DCVin	Current	Watts	Efficiency %
21546	MAU201	MINMAX	DC to DC Single Output Power Converters	3.3V	4.5~5.5V	260mA	1W	73%



T E L : Taiwan: 886-3-5753170
F A X : Taiwan: 886-3-5753172
E-mail: Taiwan: sale@100y.com.tw

Shenzhen: 86-755-83298787
Shenzhen: 86-755-83640655
Shenzhen: 100y@163.com

Shanghai: 86-21-54151736
Shanghai: 86-21-64605107
Shanghai: 100y-1@163.com