



Power Supplies & UPS

MOTIEN_DC/DC Single Output Power Converters

Detailed product specifications are available on: us.100y.com.tw



- 4 Pin SIL // 8 Pin DIL Package
- Low Ripple and Noise
- 1000 Vdc Isolation
- Up to 3000 Vdc Isolation
- P.C.B Mounted
- Mobile Application
- Portable Equipments
- Telecommunication Instruments
- Meet FCC CLASS B & CE

Output specifications
Voltage accuracy: $\pm 3\%$
Ripple & Noise (20 Mhz band width): 60mV pk-pk

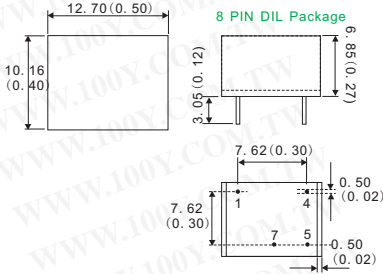
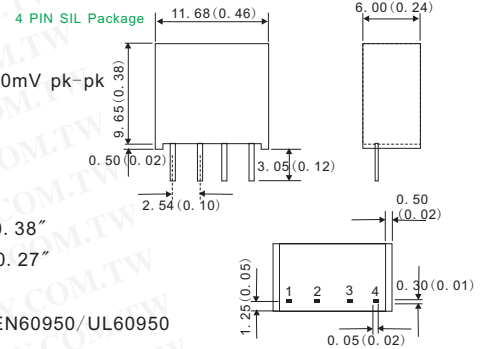
Input specifications
Voltage range: $\pm 10\%$

Physical specifications
Weight: 1.8g

Dimensions: SIP Case 0.24" x 0.46" x 0.38"
DIP Case 0.50" x 0.40" x 0.27"

General specifications
Safety standard: IEC 60950-1:2001/EN60950/UL60950

Environment specifications
Operating temperature: $-40^{\circ}\text{C} \sim 85^{\circ}\text{C}$



Pin number	Single
1	-V Input
4	+V Input
5	+V output
7	-V output



Pin number	Single
1	-V Input
2	+V Input
3	-V output
4	+V output

Part No.	Product No.	Manufacturer	Description	DCVout	Current	Watts	Efficiency %	DCVin
40043	VA-0505S1	MOTIEN	DC/DC Single Output Converter (=C&D_NME 0505 S)	5V	200mA	1W	75%	5V
40045	VA-0512S1	MOTIEN	DC/DC Single Output Converter (=C&D_NME 0512 S)	12V	83.3mA	1W	78%	5V
40047	VA-0515S1	MOTIEN	DC/DC Single Output Converter (=C&D_NME 0515 S)	15V	66.67mA	1W	78%	5V
40061	VA-1205S1	MOTIEN	DC/DC Single Output Converter (=C&D_NME 1205 S)	5V	200mA	1W	75%	12V
40062	VA-1212S1	MOTIEN	DC/DC Single Output Converter (=C&D_NME 1212 S)	12V	83.3mA	1W	78%	12V
40063	VA-1215S1	MOTIEN	DC/DC Single Output Converter (=C&D_NME 1215 S)	15V	66.67mA	1W	78%	12V



- 8 Pin SIL // 16 Pin DIL Package
- Wide 2:1 Input Range
- Full SMD Technology
- 1000 Vdc Isolation
- Up to 3000 Vdc Isolation
- Continuous Short Circuit Protection
- Telecommunication Instruments
- Process / Machine Control Equipments

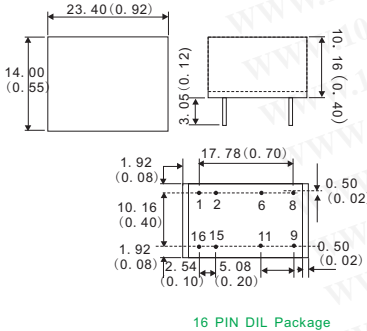
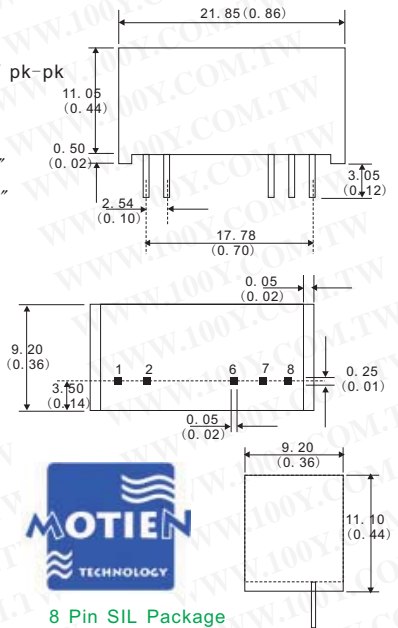
Output specifications
Voltage accuracy: $\pm 2\%$
Ripple & Noise (20 Mhz band width): 80mV pk-pk

Physical specifications
Weight: 4.5g (SIP) ~6g (DIP)

Dimensions: SIP Case 0.86" x 0.36" x 0.44"
DIP Case 0.92" x 0.40" x 0.55"

General specifications
Safety standard: IEC 60950-1:2001

Environment specifications
Operating temperature: $-40^{\circ}\text{C} \sim 85^{\circ}\text{C}$



Pin number	Single
1	-V Input
2	-V Input
6	N. C.
8	N. C.
9	+V output
11	-V output
15	+V Input
16	+V Input

Pin number	Single
1	-V Input
2	+V Input
6	+V output
7	-V output
8	N. C.



8 Pin SIL Package

Part No.	Product No.	Manufacturer	Description	DCVout	Current	Watts	Efficiency %	DCVin
39888	VB-0505S2	MOTIEN	DC/DC Single Output Converter (=TRACO_TMR 0511)	400mA	5.0V	2W	66%	4.5-9V
39906	VB-0512S2C	MOTIEN	DC/DC Single Output Converter (=TRACO_TMR 0512)	12.0V	167mA	2W	70%	4.5-9V
39908	VB-1212S2	MOTIEN	DC/DC Single Output Converter (=TRACO_TMR 1211)	12.0V	167mA	2W	77%	9-18V
39909	VB-2424S2	MOTIEN	DC/DC Single Output Converter (=TRACO_TMR 2411)	24V	83mA	2W	77%	18-36V

• If you cannot find the components you want on the catalogue, please call us.



Taiwan: 886-3-5753170

Shanghai: 021-54151736 Shenzhen: 0755-83298787

Centenary Materials
Waiting for your phone call



T E L : Taiwan: 886-3-5753170
F A X : Taiwan: 886-3-5753172
E-mail: Taiwan: sale@100y.com.tw

Shenzhen: 86-755-83298787
Shenzhen: 86-755-83640655
Shenzhen: 100y@163.com

Shanghai: 86-21-54151736
Shanghai: 86-21-64605107
Shanghai: 100y-1@163.com