



Power Supplies & UPS

30-50W Triple Output Switching Power Supply

Detailed product specifications are available on: us.100y.com.tw



NE Series

FEATURES:

- Universal AC input / Full range (NES-100 AC input selectable by switch)
- Cooling by free air convection
- Small size, high power density
- Protections: Short circuit/OVP/OVP
- Low cost, high reliability
- 100% full load burn-in test
- 2 years warranty

AC input voltage range: 85~264VAC universal input (120~370VDC)

DC adjustment range: ±10% by potential meter for single output;

CH1~5~+10% by potential meter for multiple output

Over load protection: 110%~150% hiccup mode, auto-recovery

Over voltage protection: 115%~135% rated output voltage, shut off

Withstand voltage: I/P-O/P: 3KVAC, I/P-FG: 1.5KVAC,

O/P-FG: 0.5KVAC, 1minute

Working temperature: -20~60°C (refer to the derating curve for different models)

Safety standards: Design refer to UL60950-1, TUV EN60950-1

Connection: Terminal block for input and output

Part No.	Product No.	Manufacturer	Description	Output Volt./Current	Tol.(±)	Output Volt./Current	Tol.(±)	Output Volt./Current	Tol.(±)
30735	NET-35A	MEAN WELL	MEAN WELL_35W Triple Output Switching Power Supply	-5V/0.1~0.5A	±6%	12V/0.1~1.5A	±6%	5V/0.5~4.0A	±2%
30736	NET-35B	MEAN WELL	MEAN WELL_35W Triple Output Switching Power Supply	-12V/0.1~0.5A	±6%	12V/0.1~1.5A	±6%	5V/0.5~4.0A	±2%
30739	NET-35C	MEAN WELL	MEAN WELL_35W Triple Output Switching Power Supply	-15V/0.1~0.5A	±8%	15V/0.1~1.5A	±8%	5V/0.5~3.5A	±2%
30741	NET-35D	MEAN WELL	MEAN WELL_35W Triple Output Switching Power Supply	12V/0.1~1.0A	±8%	24V/0.1~1.0A	±8%	5V/0.5~3.5A	±2%
29964	NET-50A	MEAN WELL	MEAN WELL_50W Triple Output Switching Power Supply	-5V/0.1~0.7A	±5%	12V/0.2~2.5A	±6%	5V/0.6~5.0A	±2%
29966	NET-50B	MEAN WELL	MEAN WELL_50W Triple Output Switching Power Supply	-12V/0.1~0.7A	±5%	12V/0.2~2.5A	±6%	5V/0.6~5.0A	±2%
29967	NET-50C	MEAN WELL	MEAN WELL_50W Triple Output Switching Power Supply	-15V/0.1~0.7A	±5%	15V/0.1~2.0A	±8%	5V/0.6~5.0A	±2%
29968	NET-50D	MEAN WELL	MEAN WELL_50W Triple Output Switching Power Supply	12V/0.1~1.5A	±6%	24V/0.1~1.5A	±8%	5V/0.6~5.0A	±2%



FEATURES:

- Universal AC input/Full range
- Protections: short circuit/Over load/Over voltage
- Total power for CH1+2: 35W (PT-45)
- Total power for CH1+2: 54W (PT-65)
- Approvals: UL/CUL/TUV/CB/CE
- Fixed switching frequency at 65KHz
- Cooling by free air convection
- 100% full load burn-in test
- 2 years warranty

AC input voltage range: 90~264VAC; 127~370VDC

DC adjustment range: 3.3V: ±10% rated output voltage

Over load protection: 120%~160% hiccup mode, auto-recovery

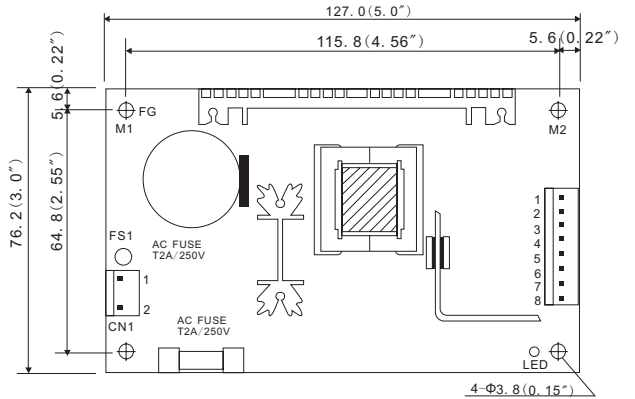
Over voltage protection: 5V: 115%~135% rated output voltage

Withstand voltage: I/P-O/P: 3KVAC, I/P-FG: 1.5KVAC, 1minute

Working temperature: 0~30°C@100%, 60°C@40% load without fan,
0~50°C@100%, 60°C@60% load with 18CFM forced air

Safety standards: UL60950-1, TUV EN60950-1 approved

Connection: 2P, 8P/3.96mm pitch, Molex: 5277-02, 5273-08



Part No.	Product No.	Manufacturer	Description	Output Volt./Current	Tol.(±)	Output Volt./Current	Tol.(±)	Output Volt./Current	Tol.(±)
27823	PT-4503	MEAN WELL	45W Triple Output with 3.3V Channel	3.3V,0.0~5.0A	+/-2%	5V/0.2~7.0A	+4%, -2%	12V/0.0~1.2A	+/-8%



FEATURES:

- Low cost, high reliability.
- Compact size, light weight
- 105°C output capacitor.
- 100% full load burn-in test.
- International AC input range.
- High efficiency, low working temperature.
- Soft-start circuit, limiting AC surge current.
- Short circuit, overload, over voltage protected
- Built in EMI filter, low ripple noise

INPUT VOLTAGE RANGE: 90 ~ 264VAC 47 ~ 440Hz; 120~370VDC

AC CURRENT: 1A/115VAC 0.7A/230VAC

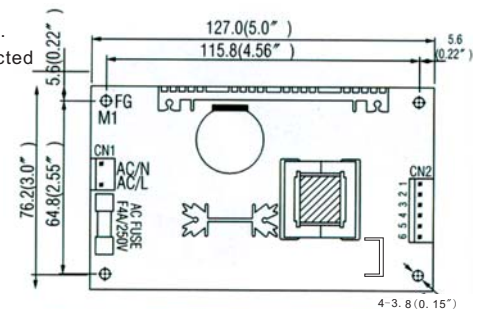
INRUSH CURRENT(max.): COLD START 20A/115VAC 40A/230V

LEAKAGE CURRENT: <0.5mA

WORKING TEMP. HUMIDITY: -10 ~ +60°C (Refer to output load derating curve) 20%~90% RH

SAFETY STANDARDS: UL1950, TUV EN60950 Approved

WITHSTAND VOLTAGE: I/P-O/P: 3KVAC I/P-FG: 1.5KVAC O/P-FG: 0.5KVAC 1min



Part No.	Product No.	Manufacturer	Description	Output Volt./Current	Tol.(±)	Output Volt./Current	Tol.(±)	Output Volt./Current	Tol.(±)
21122	PT-45A	MEAN WELL	45W Triple Output Switching Power Supply	+5V,0.4~5.0A	+/-4%	+12V/0.2~2.5A	+/-7%	-5V/0.0~0.5A	+/-5%



T E L : Taiwan: 886-3-5753170
F A X : Taiwan: 886-3-5753172
E-mail: Taiwan: sale@100y.com.tw

Shenzhen: 86-755-83298787
Shenzhen: 86-755-83640655
Shenzhen: 100y@163.com

Shanghai: 86-21-54151736
Shanghai: 86-21-64605107
Shanghai: 100y-1@163.com