



Power Supplies & UPS

25-50W Dual Output Switching Power Supply

Detailed product specifications are available on: us.100y.com.tw



PD-2503 Series

FEATURES:

- Low cost, high reliability.
- Compact size, light weight
- 105°C output capacitor.
- 100% full load burn-in test.
- International AC input range.
- High efficiency, low working temperature.
- Soft-start circuit, limiting AC surge current.
- Short circuit, overload, over voltage protected
- Built in EMI filter, low ripple noise

Input voltage range: 85~264VAC 47~440Hz; 120~370VDC
 AC CURRENT: 0.65A/115VAC 0.4A/230V
 INRUSH CURRENT (max.): Cold start 40A

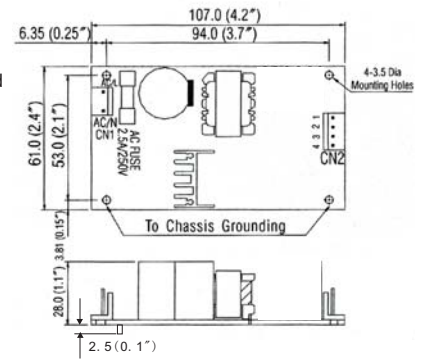
LEAKAGE CURRENT: <0.5mA/240VAC

WORKING TEMP.Humidity: -10 ~ +70°C(Refer to output load derating curve), 20%~90% RH

SAFETY STANDARDS: UL1950, TUV EN60950 Approved

WITHSTAND VOLTAGE: I/P-O/P:3KVAC I/P-FG:1.5KVAC O/P-FG:0.5KVAC

Dimension: 107*61*30mm



Part No.	Product No.	Manufacturer	Description	Output Volt./Current	Tol.(±)	Output Volt./Current	Tol.(±)
12066	PD-2503	MEAN WELL	MEAN WELL_25W Dual Output Switching Power Supply	+5VDC/0.1~4A	+5-8%	+3.3VDC/0.2~5A	±2%



PD-25 Series

FEATURES:

- Low cost, high reliability.
- Compact size, light weight
- 105°C output capacitor.
- 100% full load burn-in test.
- International AC input range.
- High efficiency, low working temperature.
- Soft-start circuit, limiting AC surge current.
- Short circuit, overload, over voltage protected
- Built in EMI filter, low ripple noise

Input voltage range: 85~264VAC 47~63Hz; 120~370VDC
 AC CURRENT: 0.65A/115VAC 0.4A/230V
 INRUSH CURRENT (max.): Cold start 40A

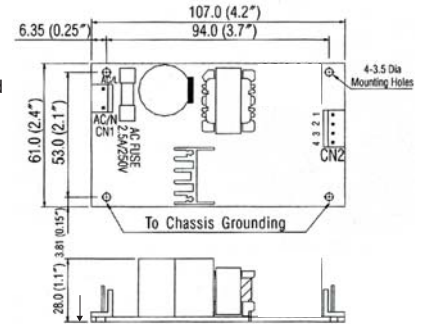
LEAKAGE CURRENT: <0.5mA/240VAC

WORKING TEMP.Humidity: -10 ~ +60°C(Refer to output load derating curve), 20%~90% RH

SAFETY STANDARDS: UL1950, TUV EN60950 Approved

WITHSTAND VOLTAGE: I/P-O/P:3KVAC I/P-FG:1.5KVAC O/P-FG:0.5KVAC

Dimension: 107*61*30mm



Part No.	Product No.	Manufacturer	Description	Output Volt./Current	Tol.(±)	Output Volt./Current	Tol.(±)
12266	PD-2505	MEAN WELL	MEAN WELL_25W Dual Outputs Switching Power Supply	+5VDC/0.1~3A	±6%	-5VDC/0.1~2.5A	±6%
21110	PD-2512	MEAN WELL	MEAN WELL_25W Dual Outputs Switching Power Supply	12V/0.1~1.2A	±4%	-12V/0.1~1.2A	±4%
12267	PD-2515	MEAN WELL	MEAN WELL_25W Dual Output Switching Power Supply	-15VDC/0.1~1A	±4%	+15VDC/0.1~1A	±4%
21111	PD-25A	MEAN WELL	MEAN WELL_25W Dual Outputs Switching Power Supply	5V/0.2~2.5A	±2%	12V/0.1~1.5A	+6%
16569	PD-25B	MEAN WELL	MEAN WELL_25W Dual Output Switching Power Supply	+24VDC/0.1~1A	+6%	+5VDC/0.2~2A	±2%



PD-45 Series

FEATURES:

- Low cost, high reliability.
- Compact size, light weight
- 105°C output capacitor.
- 100% full load burn-in test.
- International AC input range.
- High efficiency, low working temperature.
- Soft-start circuit, limiting AC surge current.
- Short circuit, overload, over voltage protected
- Built in EMI filter, low ripple noise

Input voltage range: 90~264VAC 47~440Hz; 120~370VDC
 AC CURRENT: 1A/115VAC 0.7A/230V
 INRUSH CURRENT (max.): Cold start 20A/115V 40A/230V

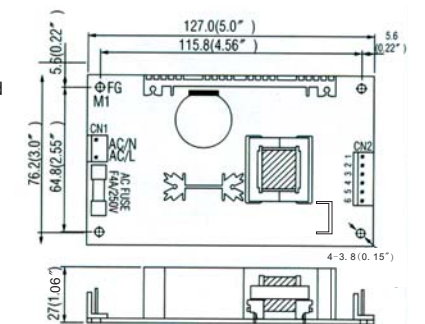
LEAKAGE CURRENT: <0.5mA

WORKING TEMP.Humidity: -10 ~ +60°C(Refer to output load derating curve), 20%~90% RH

SAFETY STANDARDS: UL1950, TUV EN60950 Approved

WITHSTAND VOLTAGE: I/P-O/P:3KVAC I/P-FG:1.5KVAC O/P-FG:0.5KVAC

Dimension: 127*76.2*30mm (L*W*H) PCB ONLY



Part No.	Product No.	Manufacturer	Description	Output Volt./Current	Tol.(±)	Output Volt./Current	Tol.(±)
21121	PD-45A	MEAN WELL	MEAN WELL_45W Dual Output Switching Power Supply	5V/0.4~5.0A	±4%	12V/0.2~2.5A	±7%
12627	PD-45B	MEAN WELL	MEAN WELL_45W Dual Output Switching Power Supply	+5V/0.4~5.0A	±4%	+24V/0.2~1.8A	±7%

• We provide a wide range of products to development and maintenance engineers in all type of business

Taiwan: 886-3-5753170

Shanghai: 021-54151736 Shenzhen: 0755-83298787

Centenary Materials

Waiting for your phone call



T E L : Taiwan: 886-3-5753170
 F A X : Taiwan: 886-3-5753172
 E-mail: Taiwan: sale@100y.com.tw

Shenzhen: 86-755-83298787
 Shenzhen: 86-755-83640655
 Shenzhen: 100y@163.com

Shanghai: 86-21-54151736
 Shanghai: 86-21-64605107
 Shanghai: 100y-1@163.com