

Power Supplies & UPS

DC/DC Dual Output Power Converters

Detailed product specifications are available on: us.100y.com.tw



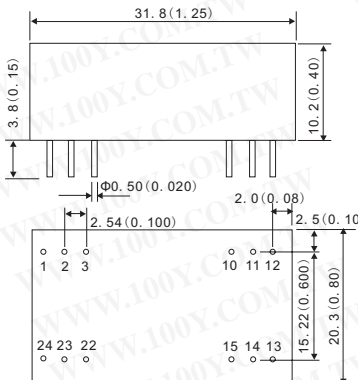
S200R Series

FEATURES:

- Low Cost
- Regulated outputs
- MTBF > 800,000 Hours
- 40mV P-P Ripple and Noise
- Industry standard pinout
- I/O isolation 500VDC
- Short circuit protection

SPECIFICATIONS:

Operating temperature: Ambient: -25°C~+71°C Case: -25°C~+90°C
 Storage temperature: -40°C~+125°C
 Output short circuit: Continuous
 Load regulation: I_o=10% to 100% Typ. ±0.2% Max. ±0.5%
 Ripple & Noise (20MHz): Max: 5mV rms.



Pin	Single output	Dual output
1	+Vin	+Vin
2	NC	-Vout
3	NC	Common
10	-Vout	Common
11	+Vout	+Vout
12	-Vin	-Vin
13	-Vin	-Vin
14	+Vout	+Vout
15	-Vout	Common
22	NC	Common
23	NC	-Vout
24	+Vin	+Vin



Part No.	Product No.	Manufacturer	Description	DCVout	DCVin	Current	DCVout	Current	Watts	Efficiency %
39034	S201R	MINMAX	DC to DC Dual Output Power Converters	5VDC	5VDC	800mA	5VDC	400mA	2W	50%
13254	S204R	MINMAX	DC to DC Dual Output Power Converters	+12VDC	4.5~5.5V/740mA	83mA	-12VDC	83mA	2W	53%
17475	S205R	MINMAX	DC to DC Dual Output Power Converters	+15VDC	4.5~5.5V/770mA	66mA	-15VDC	-66mA	2W	51%

DC/DC Triple Output Power Converters

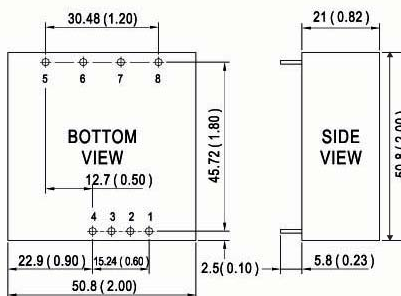
Detailed product specifications are available on: us.100y.com.tw



FEATURES:

- 2:1 wide input range
- 4:1 wide input range
- 1000VDC I/O isolation
- Input Pi network filter
- Protection: short circuit/overload
- Cooling by free air convection
- Five-sided shield metal case
- 100% full load burn-in test
- Low cost, high reliability
- 1 year warranty

Voltage set point accuracy: ±2% (max.)
 Line regulation: ±0.5% (max.)
 Load regulation: ±0.5% (10%~Full load) (Dual)
 ±5% (10%~full load) (triple)
 Efficiency: 80%@full load, nominal I/P
 Short circuit protection: continuous, auto-recovery
 Overload protections: 110~250%, auto-recovery



Pin no.	Output	
	Dual	Triple
1	R. C.	R. C.
2	No Pin	No Pin
3	-Vin	-Vin
4	+Vin	+Vin
5	+Vout	+Vout
6	COMMON	+5V
7	-Vout	COMMON
8	TRIM	-Vout

I/O isolation voltage: 1000VDC (min.)
 I/O isolation resistance: 100MΩ (min.) @500VDC
 Working temperature: -25°C to +71°C (no derating), +85°C@60% load
 Storage temperature: -40°C to +105°C
 Temp. Coefficient: ±0.03%/°C (max.)



Part No.	Product No.	Manufacturer	Description	DCVin	DCVout	Current	DCVout	Current	Watts	Efficiency %
40998	TKA30A-B	MEAN WELL	DC to DC Triple Output Power Converter	18-36V	+5V	+310mA	+12VDC	3500mA	30W	80%
29334	TKA30B-B	MEAN WELL	DC to DC Triple Output Power Converter	18-36V	+5V	+3500mA	±12VDC	±310mA	30W	80%
38617	TKA30B-C	MEAN WELL	DC to DC Triple Output Power Converter	18-36V	+5V	+3500mA	±15VDC	±250mA	30W	80%

DC to AC Power Converters

DC to AC Power Inverter

Detailed product specifications are available on: us.100y.com.tw



Load regulation (MAX.) : 300W
 Load moment (MAX.) : 1000W
 Input voltage: DC12V
 Output voltage: AC110V
 Working temperature: -15°C~50°C

Part No.	Product No.	Description	Output voltage(ACVout)	Input voltage(DCVin)	Max.Power(W)
12453	2263	DC to AC Power Converter	AC110	DC12V	300W
7985	2264	DC to AC Power Converter	AC110V	DC12V	600W



DC to AC Power Converter

Part No.	Product No.	Description	Output voltage(ACVout)	Input voltage(DCVin)	Max.Power(W)
12670	2265	DC to AC Power Converter	AC110V	DC12V	1500W



FEATURES:

- DC to AC Inverter: 100W, 150W, 200W, 300W, 600W
- DC to AC Inverter/Battery charger: 300W, 600W
- Input: DC12V (10~15V) or 24V (20~28V)
- Output: AC 100V, 110V, 120V, 220V, 230V, 240V
- Efficiency: 90%
- Output waveform: modified sine wave

Part No.	Product No.	Description	Output voltage(ACVout)	Input voltage(DCVin)	Max.Power(W)
7502	2280	DC to AC Power Converter	AC110V	DC12V	150W



T E L : Taiwan: 886-3-5753170
 F A X : Taiwan: 886-3-5753172
 E-mail: Taiwan: sale@100y.com.tw

Shenzhen: 86-755-83298787
 Shenzhen: 86-755-83640655
 Shenzhen: 100y@163.com

Shanghai: 86-21-54151736
 Shanghai: 86-21-64605107
 Shanghai: 100y-1@163.com