

Power Supplies & UPS

DC/DC Dual Output Power Converters

Detailed product specifications are available on: us.100y.com.tw

Part No.	Product No.	Manufacturer	Description	DCVout	DCVin	Current	DCVout	Current	Watts	Efficiency %
21565	MAU207	MINMAX	DC to DC Dual Output Power Converters	+9V	4.5~5.5V	+56mA	-9V	-56mA	1W	77%
21570	MAU208	MINMAX	DC to DC Dual Output Power Converters	+12V	4.5~5.5V	+42mA	-12V	-42mA	1W	78%
21571	MAU209	MINMAX	DC to DC Dual Output Power Converters	+15V	4.5~5.5V	+34mA	-15V	-34mA	1W	79%
21563	MAU216	MINMAX	DC to DC Dual Output Power Converters	+5V	10.8~13.2V	+100mA	-5V	-100mA	1W	74%
21566	MAU217	MINMAX	DC to DC Dual Output Power Converters	+9V	10.8~13.2V	+56mA	-9V	-56mA	1W	79%
21569	MAU218	MINMAX	DC to DC Dual Output Power Converters	+12V	10.8~13.2V	+42mA	-12V	-42mA	1W	81%
21572	MAU219	MINMAX	DC/DC Dual Output Power Converter	+15V	10.8~13.2V	+34mA	-15V	-34mA	1W	81%
21562	MAU226	MINMAX	DC to DC Dual Output Power Converters	+5V	21.6~26.4V	+100mA	-5V	-100mA	1W	72%
21567	MAU227	MINMAX	DC to DC Dual Output Power Converters	+9V	21.6~26.4V	+56mA	-9V	-56mA	1W	76%
21568	MAU228	MINMAX	DC to DC Dual Output Power Converters	+12V	21.6~26.4V	+42mA	-12V	-42mA	1W	76%
21573	MAU229	MINMAX	DC to DC Dual Output Power Converters	+15V	21.6~26.4V	+34mA	-15V	-34mA	1W	80%



MAU300 Series Dual Outputs

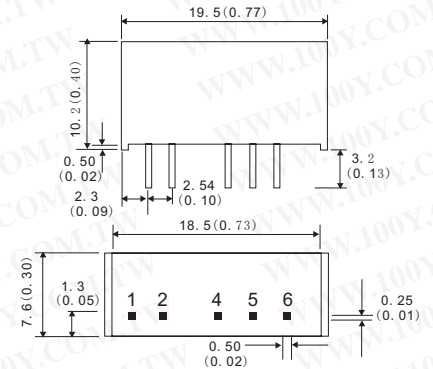
SPECIFICATIONS:

Operating temperature: Ambient: -40°C~+70°C
 Case: -25°C~+90°C
 Storage temperature: -40°C~+125°C
 Over load: 120%
 Output short circuit: 0.5 second max.

FEATURES:

- Efficiency up to 83%
- Miniature Package
- I/O Isolation 1000VDC
- SMT Technology
- Lost Cost
- MTBF > 2,000,000 Hours

Pin number	Single	Dual
1	+Vin	+Vin
2	-Vin	-Vin
4	-Vout	-Vout
5	No Pin	Common
6	+Vout	+Vout



Load regulation: Io=20% to 100% See model selection guide
 Ripple & Noise (20MHz): 5mV rms.

Part No.	Product No.	Manufacturer	Description	DCVout	DCVin	Current	DCVout	Current	Watts	Efficiency %
14178	MAU305	MINMAX	DC to DC Dual Output Power Converters	+5V	4.5~5.5V	+200mA	-5V	-200mA	2W	77%
14179	MAU306	MINMAX	DC to DC Dual Output Power Converters	+12V	4.5~5.5V	+83mA	-12V	-83mA	2W	79%
21517	MAU307	MINMAX	DC to DC Dual Output Power Converters	+15V	4.5~5.5V	+66mA	-15V	-66mA	2W	79%
14181	MAU315	MINMAX	DC to DC Dual Output Power Converters	+5V	10.8~13.2V	+200mA	-5V	-200mA	2W	79%
14182	MAU316	MINMAX	DC to DC Dual Output Power Converters	+12V	10.8~13.2V	+83mA	-12V	-83mA	2W	82%
21516	MAU317	MINMAX	DC to DC Dual Output Power Converters	+15V	10.8~13.2V	+66mA	-15V	-66mA	2W	82%
21504	MAU325	MINMAX	DC to DC Dual Output Power Converters	+5V	21.6~26.4V	+200mA	-5V	-200mA	2W	79%
21514	MAU326	MINMAX	DC to DC Dual Output Power Converters	+12V	21.6~26.4V	+83mA	-12V	-83mA	2W	82%
21515	MAU327	MINMAX	DC to DC Dual Output Power Converters	+15V	21.6~26.4V	+66mA	-15V	-66mA	2W	82%



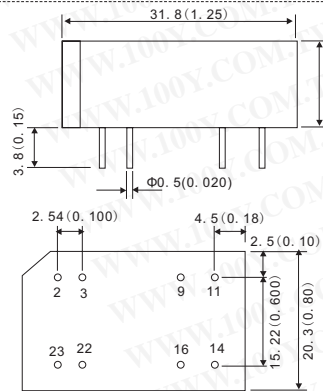
MIW1000 Series Dual Outputs

SPECIFICATIONS:

Operating temperature: Ambient: -40°C~+71°C
 Case: -40°C~+90°C
 Storage temperature: -40°C~+125°C
 Output short circuit: Continuous
 Load regulation: Io=10% to 100% Typ. ±0.2% Max. ±0.5%
 Ripple & Noise (20MHz): Max: 15mV rms.

FEATURES:

- High Efficiency up to 84%
- 2:1 Input Range
- I/O Isolation 1500VDC
- Industry Standard Pinout
- SMT Technology
- Short Circuit Protection
- MTBF > 1,000,000 Hours



Pin	Single output	Dual output
2	-Vin	-Vin
3	-Vin	-Vin
9	No Pin	Common
11	NC	-Vout
14	+Vout	+Vout
16	-Vout	Common
22	+Vin	+Vin
23	+Vin	+Vin



Part No.	Product No.	Manufacturer	Description	DCVout	DCVin	Current	DCVout	Current	Watts	Efficiency %
21451	MIW1015	MINMAX	DC to DC Dual Output Power Converters	+5VDC	4.5~9VDC	+250mA	-5VDC	-250mA	2~3W	72%
21452	MIW1016	MINMAX	DC to DC Dual Output Power Converters	+12VDC	4.5~9VDC	+125mA	-12VDC	-125mA	2~3W	75%
21453	MIW1017	MINMAX	DC to DC Dual Output Power Converters	+15VDC	4.5~9VDC	+100mA	-15VDC	-100mA	2~3W	75%
21454	MIW1025	MINMAX	DC to DC Dual Output Power Converters	+5VDC	9~18VDC	+250mA	-5VDC	-250mA	2~3W	77%
21455	MIW1026	MINMAX	DC to DC Dual Output Power Converters	+12VDC	9~18VDC	+125mA	-12VDC	-125mA	2~3W	80%
21456	MIW1027	MINMAX	DC to DC Dual Output Power Converters	+15VDC	9~18VDC	+100mA	-15VDC	-100mA	2~3W	80%
21457	MIW1035	MINMAX	DC to DC Dual Output Power Converters	+5VDC	18~36VDC	+250mA	-5VDC	-250mA	2~3W	79%
21458	MIW1036	MINMAX	DC to DC Dual Output Power Converters	+12VDC	18~36VDC	+125mA	-12VDC	-125mA	2~3W	82%
21459	MIW1037	MINMAX	DC to DC Dual Output Power Converters	+15VDC	18~36VDC	+100mA	-15VDC	-100mA	2~3W	82%



T E L : Taiwan: 886-3-5753170
 F A X : Taiwan: 886-3-5753172
 E-mail: Taiwan: sale@100y.com.tw

Shenzhen: 86-755-83298787
 Shenzhen: 86-755-83640655
 Shenzhen: 100y@163.com

Shanghai: 86-21-54151736
 Shanghai: 86-21-64605107
 Shanghai: 100y-1@163.com