



Power Supplies & UPS

DC/DC Dual Output Power Converters

Detailed product specifications are available on: us.100y.com.tw



Voltage set point accuracy: $\pm 2\%$ (max.)
 Line regulation: $\pm 0.2\%$ (max.)
 Load regulation: $\pm 0.5\%$ (max.) @20~100% load
 Efficiency: 76% (typical)
 Short circuit protection: continuous, auto-recovery
 Overload protections: 150~250%, auto-recovery

I/O isolation voltage: 1000VDC (min.)
 I/O isolation resistance: 100M Ω (min.) @500VDC
 Working temperature: -25°C to +60°C (no derating), +71°C@80% load
 Storage temperature: -25°C to +105°C
 Temp. Coefficient: $\pm 0.03\%/^{\circ}\text{C}$ (max.)

5W DC-DC Regulated Dual Output

Part No.	Product No.	Manufacturer	Description	DCVout	DCVin	Current	DCVout	Current	Watts
21232	DLW05A-05		DC to DC Dual Output Power Converters	+5VDC	9~18VDC	+500mA	-5VDC	-500mA	5W
21233	DLW05A-12		DC to DC Dual Output Power Converters	+12VDC	9~18VDC	+208mA	-12VDC	-208mA	5W
8413	DLW05A-15	MEAN WELL	DC to DC Dual Output Power Converters	+15VDC	9~18VDC	+167mA	-15VDC	-167mA	5W
21234	DLW05B-05		DC to DC Dual Output Power Converters	+5VDC	18~36VDC	+500mA	-5VDC	-500mA	5W
21235	DLW05B-12		DC to DC Dual Output Power Converters	+12VDC	18~36VDC	+208mA	-12VDC	-208mA	5W
11615	DLW05B-15	MEAN WELL	DC to DC Dual Output Power Converters	+15VDC	18~36VDC	+167mA	-15VDC	-167mA	5W
21236	DLW05C-05		DC to DC Dual Output Power Converters	+5VDC	36~72VDC	+500mA	-5VDC	-500mA	5W
21237	DLW05C-12		DC to DC Dual Output Power Converters	+12VDC	36~72VDC	+208mA	-12VDC	-208mA	5W
21238	DLW05C-15		DC to DC Dual Output Power Converters	+15VDC	36~72VDC	+167mA	-15VDC	-167mA	5W



MAU100 Series Dual Outputs

FEATURES:

- Efficiency up to 81%
- Miniature Package
- I/O Isolation 1000VDC
- SMT Technology
- Lost Cost
- MTBF > 2,000,000 Hours

SPECIFICATIONS:

Operating temperature: Ambient: -40°C~+85°C
 Case: -25°C~+90°C

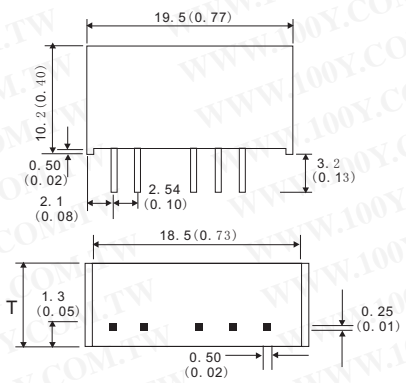
Storage temperature: -40°C~+125°C

Over load: 120%

Output short circuit: 0.5 second max.

Load regulation: Io=20% to 100% See model selection guide

Ripple & Noise (20MHz): 5mV rms.



Pin number	Single	Dual
1	+Vin	+Vin
2	-Vin	-Vin
4	-Vout	-Vout
5	No Pin	Common
6	+Vout	+Vout



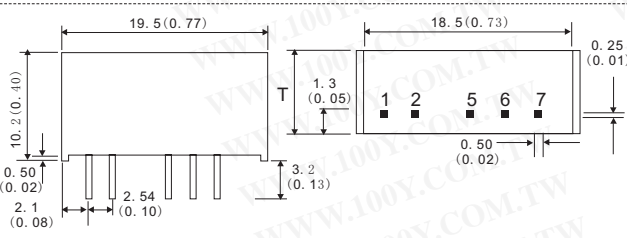
Part No.	Product No.	Manufacturer	Description	DCVout	DCVin	Current	DCVout	Current	Watts	Efficiency %
14172	MAU106	MINMAX	DC to DC Dual Output Power Converters	+5V	4.5~5.5Vin	+100mA	-5V	-100mA	1W	72%
21524	MAU107	MINMAX	DC to DC Dual Output Power Converters	+9V	4.5~5.5Vin	+56mA	-9V	-56mA	1W	77%
14173	MAU108	MINMAX	DC to DC Dual Output Power Converters	+12V	4.5~5.5Vin	+42mA	-12V	-42mA	1W	78%
21525	MAU109	MINMAX	DC to DC Dual Output Power Converters	+15V	4.5~5.5Vin	+34mA	-15V	-34mA	1W	79%
14174	MAU116	MINMAX	DC to DC Dual Output Power Converters	+12V	10.8~13.2Vin	+100mA	-12V	-100mA	1W	74%
21542	MAU117	MINMAX	DC to DC Dual Output Power Converters	+9V	10.8~13.2Vin	+56mA	-9V	-56mA	1W	79%
14175	MAU118	MINMAX	DC to DC Dual Output Power Converters	+12V	10.8~13.2Vin	+42mA	-12V	-42mA	1W	81%
21527	MAU119	MINMAX	DC to DC Dual Output Power Converters	+15V	4.5~5.5Vin	+34mA	-15V	-34mA	1W	79%
21544	MAU126	MINMAX	DC to DC Dual Output Power Converters	+5V	21.4~26.4Vin	+100mA	-5V	-100mA	1W	72%
21543	MAU127	MINMAX	DC to DC Dual Output Power Converters	+9V	21.4~26.4Vin	+56mA	-9V	-56mA	1W	76%
21518	MAU128	MINMAX	DC to DC Dual Output Power Converters	+12V	21.6~26.4Vin	+42mA	-12V	-42mA	1W	79%
21528	MAU129	MINMAX	DC to DC Dual Output Power Converters	+15V	21.6~26.4Vin	+34mA	-15V	-34mA	1W	80%
21545	MAU154	MINMAX	DC to DC Dual Output Power Converters	+5V	13.5~16.5Vin	+100mA	-5V	-100mA	1W	72%
21519	MAU155	MINMAX	DC to DC Dual Output Power Converters	+12V	13.5~16.5Vin	+42mA	-12V	-42mA	1W	80%
21529	MAU156	MINMAX	DC to DC Dual Output Power Converters	+15V	13.5~16.5Vin	+34mA	-15V	-34mA	1W	80%



MAU200 Series Dual Outputs

FEATURES:

- Efficiency up to 81%
- Miniature Package
- I/O Isolation 3000VDC
- SMT Technology
- Lost Cost
- MTBF > 2,000,000 Hours



Pin number	Single	Dual
1	+Vin	+Vin
2	-Vin	-Vin
5	-Vout	-Vout
6	No Pin	Common
7	+Vout	+Vout



Part No.	Product No.	Manufacturer	Description	DCVout	DCVin	Current	DCVout	Current	Watts	Efficiency %
21564	MAU206	MINMAX	DC to DC Dual Output Power Converters	+5V	4.5~5.5V	+100mA	-5V	-100mA	1W	72%

Operating temperature: Ambient: -40°C~+85°C Case: -25°C~+90°C
 Storage temperature: -40°C~+125°C
 Over load: 120%

Output short circuit: 0.5 second max.
 Load regulation: Io=20% to 100% See model selection guide
 Ripple & Noise (20MHz): 5mV rms.



T E L : Taiwan: 886-3-5753170
 F A X : Taiwan: 886-3-5753172
 E-mail: Taiwan: sale@100y.com.tw

Shenzhen: 86-755-83298787
 Shenzhen: 86-755-83640655
 Shenzhen: 100y@163.com

Shanghai: 86-21-54151736
 Shanghai: 86-21-64605107
 Shanghai: 100y-1@163.com