

Power Supplies & UPS

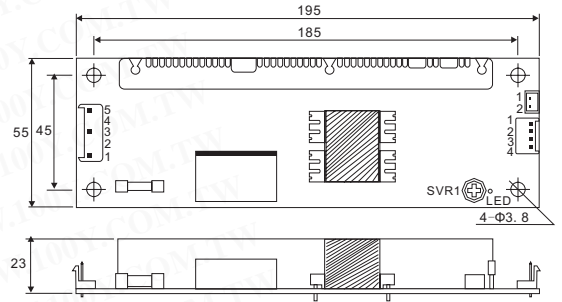
45-65W Single Output Switching Power Supply

Detailed product specifications are available on: us.100y.com.tw



FEATURES

- Universal AC input / Full range
- Protections: Short circuit/Over load/Over voltage
- Cooling by free air convection
- Small and compact size Built-in remote ON-OFF control
- LED indicator for power on
- 100% full load burn-in test
- Low profile: 23mm thickness
- 2 years warranty

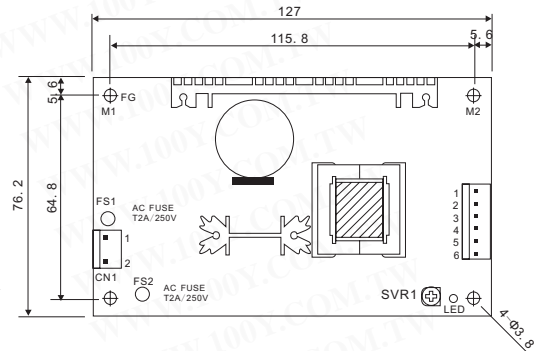


Part No.	Product No.	Manufacturer	Description	Output Volt.	Output Current	Tol.(±)
31283	LPS-50-12	MEAN WELL	MEAN WELL_50W Single Output Switching Power Supply	4.2A	12V	±2%
31285	LPS-50-15	MEAN WELL	MEAN WELL_50W Single Output Switching Power Supply	3.4A	15V	±2%
31286	LPS-50-24	MEAN WELL	MEAN WELL_50W Single Output Switching Power Supply	24V	2.1A	±1%
31281	LPS-50-3.3	MEAN WELL	MEAN WELL_50W Single Output Switching Power Supply	3.3V	10A	±3%
31287	LPS-50-48	MEAN WELL	MEAN WELL_50W Single Output Switching Power Supply	48V	1.1A	±1%
31282	LPS-50-5	MEAN WELL	MEAN WELL_50W Single Output Switching Power Supply	5V	10A	±3%



FEATURES

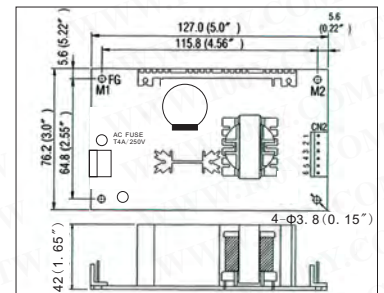
- Universal AC input / Full range
- Low leakage currents ≤ 0.3mA
- Protections: Short circuit/Over load/Over voltage
- Cooling by free air convection
- 100% full load burn-in test
- Fixed switching frequency at 45KHz
- 3 years warranty



Part No.	Product No.	Manufacturer	Description	Output Volt.	Output Current	Tol.(±)
31423	MPS-45-12	MEAN WELL	MEAN WELL_45W Single Output Medical Type	12V	3.7A	±2%
31424	MPS-45-13.5	MEAN WELL	MEAN WELL_45W Single Output Medical Type	13.5V	3.3A	±2%
31425	MPS-45-15	MEAN WELL	MEAN WELL_45W Single Output Medical Type	15V	3.0A	±2%
31426	MPS-45-24	MEAN WELL	MEAN WELL_45W Single Output Medical Type	24V	1.9A	±2%
31428	MPS-45-27	MEAN WELL	MEAN WELL_45W Single Output Medical Type	27V	1.7A	±2%
31408	MPS-45-3.3	MEAN WELL	MEAN WELL_45W Single Output Medical Type	3.3V	8.0A	±3%
31430	MPS-45-48	MEAN WELL	MEAN WELL_45W Single Output Medical Type	48V	1.0A	±2%
31421	MPS-45-5	MEAN WELL	MEAN WELL_45W Single Output Medical Type	5V	8.0A	±3%
31422	MPS-45-7.5	MEAN WELL	MEAN WELL_45W Single Output Medical Type	7.5V	5.4A	±3%



- AC input voltage range: 90~264VAC; 127~370VDC
- AC inrush current: Cold start, 20A at 115VAC, 40A at 230VAC
- DC adjustment range: CH1: ±10% rated output voltage
- Over load protection: 73~105W hiccup mode, auto-recovery
- Over voltage protection: CH1: 115%~135% rated output voltage
- Leakage current: Less than 0.3mA at 264VAC
- Setup, rise, hold up time: 800ms, 30ms, 20ms at full load and 230VAC
- Withstand voltage: I/P-O/P: 4KVAC, I/P-FG: 1.5KVAC, 1 minute
- Working temperature: -10~60°C (refer to output derating curve)
- Safety standards: UL2601-1, TUV EN60601-1, IEC601-1 approved
- EMC standards: EN55011 class B, EN61000-4-2, 3, 4, 5, 6, 8, 11, EN61000-3-2, 3, EN60601-1-2, ENV50204
- Connection: 2P, 6P/3. 96mm pitch, Molex P/N: 5277-02, 5273-06



FEATURES

- Universal AC input/Full range
- Medical safety approved
- Protections: Short circuit/Over load /Over voltage
- Low leakage current ≤ 0.3mA
- Approvals: UL/CUL/TUV/CB/CE
- Fixed switching frequency at 45KHz
- 100% full load burn-in test
- 3 year warranty



Part No.	Product No.	Manufacturer	Description	Output Volt.	Output Current	Tol.(±)
31466	MPS-65-12	MEAN WELL	MEAN WELL_65W Single Output Medical Type	12V	5.2A	±2%
31467	MPS-65-13.5	MEAN WELL	MEAN WELL_65W Single Output Medical Type	13.5V	4.7A	±2%
31468	MPS-65-15	MEAN WELL	MEAN WELL_65W Single Output Medical Type	15V	4.2A	±2%
28349	MPS-65-24	MEAN WELL	MEAN WELL_65W Single Output Medical Type	+24V	2.7A	+/-2%
31469	MPS-65-27	MEAN WELL	MEAN WELL_65W Single Output Medical Type	27V	2.4A	±2%



T E L : Taiwan : 886-3-5753170
 F A X : Taiwan : 886-3-5753172
 E-mail : Taiwan : us_sale@100y.com.tw

Shenzhen : 86-755-83298787
 Shenzhen : 86-755-83640655
 Shenzhen : 100y@163.com

Shanghai : 86-21-54151736
 Shanghai : 86-21-64605107
 Shanghai : 100y-1@163.com