



Power Supplies & UPS

5-40W Single Output Switching Power Supply

Detailed product specifications are available on: us.100y.com.tw

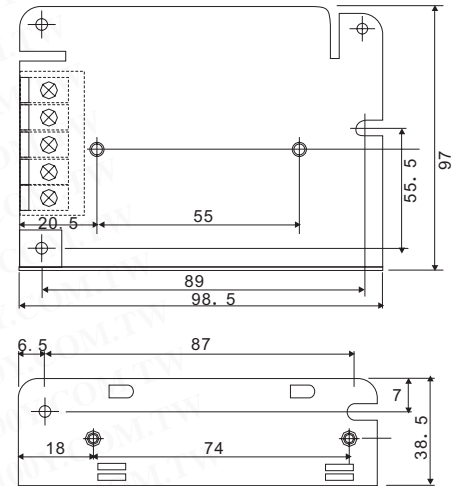


FEATURES

- Low cost, high reliability
- 105°C Output capacitor
- International AC input range
- High efficiency, low working temperature
- Soft-start circuit, limiting AC surge current
- Short circuit, overload, over voltage protected
- Compact size, light weight
- 100% full load burn-in test
- Built in EMI filter, low ripple noise

SPECIFICATION

Input voltage range: 85~264VAC 47~63Hz, 120~370VDC
 Inrush current: cold start 15A/115V 30A/230V
 Leakage current: <0.75mA/240VAC
 Overload protection: above 105%~150% type: pulsing hiccup shutdown
 reset: auto recovery
 Over voltage protection: 115%~135%
 Withstand voltage: I/P-O/P: 3KVAC I/P-FG: 1.5KVAC O/P-FG:
 0.5KVAC
 Weight: 0.37kgs



| Part No. | Product No. | Manufacturer | Description | Output Volt. | Output Current | Tol.(±) |
|----------|-------------|--------------|--|--------------|----------------|---------|
| 7525 | S-25-12 | MEAN WELL | 25W Single Output Switching Power Supply | 12VDC | 2.1A | +/-1% |
| 7538 | S-25-15 | MEAN WELL | 25W Single Output Switching Power Supply | 15VDC | 1.7A | +/-1% |
| 7526 | S-25-24 | MEAN WELL | 25W Single Output Switching Power Supply | 24VDC | 1.1A | +/-1% |
| 7524 | S-25-5 | MEAN WELL | 25W Single Output Switching Power Supply | 5VDC | 5A | +/-2% |

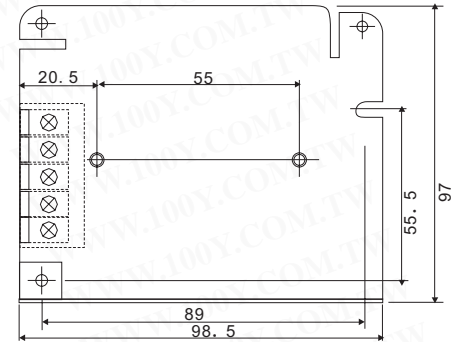
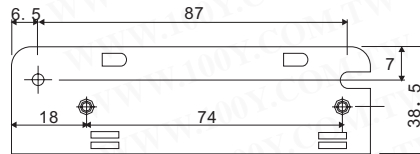


FEATURES

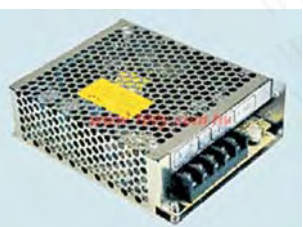
- Low cost, high reliability
- 105°C Output capacitor
- International AC input range
- High efficiency, low working temperature
- Soft-start circuit, limiting AC surge current
- Short circuit, overload, over voltage protected
- Compact size, light weight
- 100% full load burn-in test
- Built in EMI filter, low ripple noise

SPECIFICATION

Input voltage range: 85~132VAC 170~264VAC Selected by switch 47~63Hz; 240~370VDC
 Inrush current: cold start 18A/115V 36A/230V
 Leakage current: <0.5mA/240VAC
 Overload protection: above 105%~150% type: pulsing hiccup shutdown
 reset: auto recovery
 Withstand voltage: I/P-O/P: 1.5KVAC I/P-FG: 1.5KVAC O/P-FG:
 0.5KVAC
 Weight: 0.4kgs



| Part No. | Product No. | Manufacturer | Description | Output Volt. | Output Current | Tol.(±) |
|----------|-------------|--------------|--|--------------|----------------|---------|
| 11158 | S-35-12 | MEAN WELL | 35W Single Output Switching Power Supply | 12VDC | 3A | +/-1% |
| 7485 | S-35-15 | MEAN WELL | 35W Single Output Switching Power Supply | 15VDC | 2.4A | +/-1% |
| 11159 | S-35-24 | MEAN WELL | 35W Single Output Switching Power Supply | 24VDC | 1.5A | +/-1% |
| 11421 | S-35-5 | MEAN WELL | 35W Single Output Switching Power Supply | 5VDC | 7A | +/-1% |



FEATURES

- Low cost, high reliability
- 105°C Output capacitor
- International AC input range
- High efficiency, low working temperature
- Soft-start circuit, limiting AC surge current
- Short circuit, overload, over voltage protected
- Compact size, light weight
- 100% full load burn-in test
- Built in EMI filter, low ripple noise

SPECIFICATION

Input voltage range: 85~264VAC 47~63VAC 120~370VDC
 Inrush current: cold start 30A/115V 60A/230V
 Leakage current: <1mA/240VAC
 Overload protection: 105%~150% type: pulsing hiccup shutdown
 reset: auto recovery
 Withstand voltage: I/P-O/P: 3KVAC I/P-FG: 1.5KVAC O/P-FG:
 0.5KVAC
 Weight: 0.45kgs

| Part No. | Product No. | Manufacturer | Description | Output Volt. | Output Current | Tol.(±) |
|----------|-------------|--------------|--|--------------|----------------|---------|
| 21075 | S-40-12 | MEAN WELL | MEAN WELL_40W Single Output Switching Power Supply | 12V | 0~3.5A | ±1% |
| 21076 | S-40-15 | MEAN WELL | MEAN WELL_40W Single Output Switching Power Supply | 15V | 0~2.8A | ±1% |
| 21077 | S-40-24 | MEAN WELL | MEAN WELL_40W Single Output Switching Power Supply | 24V | 0~1.8A | ±1% |
| 12093 | S-40-5 | MEAN WELL | MEAN WELL_40W Single Output Switching Power Supply | 5V | 0~8.0A | ±2% |



T E L : Taiwan: 886-3-5753170
 F A X : Taiwan: 886-3-5753172
 E-mail : Taiwan: us_sale@100y.com.tw

Shenzhen: 86-755-83298787
 Shenzhen: 86-755-83640655
 Shenzhen: 100y@163.com

Shanghai: 86-21-54151736
 Shanghai: 86-21-64605107
 Shanghai: 100y-1@163.com