



Power Supplies & UPS

DC Switch Power Supply

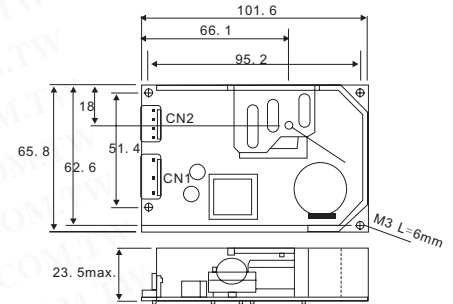
Detailed product specifications are available on: us.100y.com.tw

5-40W Single Output Switching Power Supply



FEATURES:

- Universal AC input / Full range
- Low leakage current 0.3mA
- Protections: Short circuit/Over load/Over voltage/Over temperature
- Fixed switching frequency at 100KHz
- Low cost
- High reliability
- 3 years warranty



Part No.	Product No.	Manufacturer	Description	Output Volt.	Output Current	Tol.(±)
31405	MPS-30-12	MEAN WELL	MEAN WELL_30W Single Output Medical Type	12V	2.5A	±3%
31406	MPS-30-15	MEAN WELL	MEAN WELL_30W Single Output Medical Type	15V	2.0A	±3%
31407	MPS-30-24	MEAN WELL	MEAN WELL_30W Single Output Medical Type	24V	1.2A	±3%
31409	MPS-30-27	MEAN WELL	MEAN WELL_30W Single Output Medical Type	27V	1.1A	±3%
31410	MPS-30-48	MEAN WELL	MEAN WELL_30W Single Output Medical Type	48V	0.6A	±2%
31404	MPS-30-5	MEAN WELL	MEAN WELL_30W Single Output Medical Type	5V	5.0A	±3%



FEATURES:

- Universal AC input/Full range (NES-100 AC input selectable by switch)
- Protections: Short circuit/OLP/OVP
- Cooling by free air convection
- Small size, high power density
- Low cost, high reliability
- 100% full load burn-in test
- 2 years warranty
- AC input voltage range: 85~264VAC universal input (120~370VDC)
- AC inrush current(max.): Cold start, 40A at 230VAC
- DC adjustment range: ±10% by potential meter for single output; CG1-5~+10% by potential meter for multiple output
- Over load protection: 110%~150% hiccup mode, auto-recovery
- Over voltage protection: 115%~135% rated output voltage, shut off
- Working temperature: -20~+60oC (refer to the derating curve for different models)
- Connection: Terminal block for input and output



Part No.	Product No.	Manufacturer	Description	Output Volt.	Output Current	Tol.(±)
29888	NES-15-12	MEAN WELL	MEAN WELL_15W Single Output Switching Power Supply	12V	0~1.3A	±1%
29889	NES-15-15	MEAN WELL	MEAN WELL_15W Single Output Switching Power Supply	15V	0~1.0A	±1%
29890	NES-15-24	MEAN WELL	MEAN WELL_15W Single Output Switching Power Supply	24V	0~0.7A	±1%
29891	NES-15-48	MEAN WELL	MEAN WELL_15W Single Output Switching Power Supply	48V	0~0.35A	±1%
29887	NES-15-5	MEAN WELL	MEAN WELL_15W Single Output Switching Power Supply	5V	0~3.0A	±2%
29893	NES-25-12	MEAN WELL	MEAN WELL_25W Single Output Switching Power Supply	12V	0~2.1A	±1%
29894	NES-25-15	MEAN WELL	MEAN WELL_25W Single Output Switching Power Supply	15V	0~1.7A	±1%
29896	NES-25-24	MEAN WELL	MEAN WELL_25W Single Output Switching Power Supply	24V	0~1.1A	±1%
29898	NES-25-48	MEAN WELL	MEAN WELL_25W Single Output Switching Power Supply	48V	0~0.57A	±1%
29892	NES-25-5	MEAN WELL	MEAN WELL_25W Single Output Switching Power Supply	5V	0~5.0A	±2%
29904	NES-35-12	MEAN WELL	MEAN WELL_35W Single Output Switching Power Supply	12V	0~3.0A	±1%
29913	NES-35-15	MEAN WELL	MEAN WELL_35W Single Output Switching Power Supply	15V	0~2.4A	±1%
29915	NES-35-24	MEAN WELL	MEAN WELL_35W Single Output Switching Power Supply	24V	0~1.5A	±1%
29917	NES-35-48	MEAN WELL	MEAN WELL_35W Single Output Switching Power Supply	48V	0~0.8A	±1%
29899	NES-35-5	MEAN WELL	MEAN WELL_35W Single Output Switching Power Supply	5V	0~7.0A	±2%



20W Output Switching Power Supply



Part No.	Product No.	Manufacturer	Description	Output Volt.	Output Current	Tol.(±)
40693	NFM-20-5	MEAN WELL	20W Output Switching Power Supply	5VDC	4.4A	+/-2%



- Universal AC input/ full range
- High reliability
- High efficiency, low working temp.
- Built in EMI filter, low ripple noise
- Compact size, light weight
- 100% full load burn-in test
- Short circuit/ over load / over voltage protected



- Input voltage.....85~264VAC; 120~370VDC
- Input frequency.....47-440Hz
- Inrush current.....Cold start, 25A/ 115V, 45A/ 230V
- Output voltage.....Refer to below table (10% ADJ.)
- Overload protection.....Above 150% output pulsing mode
- Over voltage protection.....115%~135%
- Setup, rise, hold up time.....150ms, 20ms, 17ms/ 115VAC
150ms, 20ms, 80ms/ 230VAC
- Withstand voltage.....I/P-O/P:3.0KVAC
- Working temperature.....-10°~50°@100%, +60°@60%
- Safety standard.....UL1950,TUV, EN60950 approved
- EMC standard.....EN50081-1, EN50082-1
- Connection.....4 industrial pin out

Part No.	Product No.	Manufacturer	Description	Output Volt.	Output Current	Tol.(±)
21096	OFM-0101	MEAN WELL	10W Switching Power Supply	5V	2A	+/-2%



T E L : Taiwan : 886-3-5753170
 F A X : Taiwan : 886-3-5753172
 E-mail : Taiwan : us_sale@100y.com.tw

Shenzhen : 86-755-83298787
 Shenzhen : 86-755-83640655
 Shenzhen : 100y@163.com

Shanghai : 86-21-54151736
 Shanghai : 86-21-64605107
 Shanghai : 100y-1@163.com