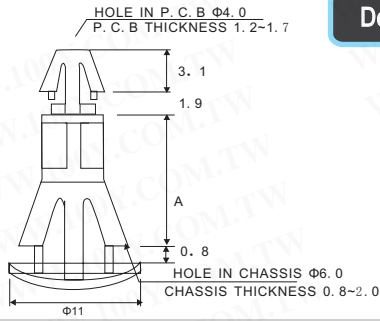


PCBs & cards

Pillars



Detailed product specifications are available on: us.100y.com.tw

Part No.	A	Package
RCF-5	5.0	2000
RCF-6	6.35	
RCF-8	8.0	1000
RCF-10	10.0	
RCF-12	12.7	
RCF-15	15.9	

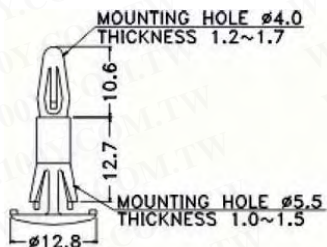
- Material: Nylon 66 (UL)
- Flame class: 94V-2
- Color: natural

Part No.	Product No.	Description
45958	RCF-10	PC SPACER SUPPORT
45959	RCF-12	PC SPACER SUPPORT
45960	RCF-15	PC SPACER SUPPORT
45955	RCF-5	PC SPACER SUPPORT
45956	RCF-6	PC SPACER SUPPORT
45957	RCF-8	PC SPACER SUPPORT



Part No.	Product No.	Description
45828	RCM-10	PC SPACER SUPPORT
45830	RCM-12	PC SPACER SUPPORT
45829	RCM-12A	PC SPACER SUPPORT
45831	RCM-14	PC SPACER SUPPORT
45832	RCM-16	PC SPACER SUPPORT
45833	RCM-18	PC SPACER SUPPORT
45834	RCM-19	PC SPACER SUPPORT
45835	RCM-22	PC SPACER SUPPORT
45836	RCM-24	PC SPACER SUPPORT
45837	RCM-25	PC SPACER SUPPORT
45822	RCM-3	PC SPACER SUPPORT
45838	RCM-30	PC SPACER SUPPORT
45824	RCM-3VO	PC SPACER SUPPORT
45825	RCM-5	PC SPACER SUPPORT
45826	RCM-6	PC SPACER SUPPORT
45827	RCM-8	PC SPACER SUPPORT

- Material: Nylon 66 (UL)
- Flame class: 94V-2
- Color: natural



Part No	Package
RCR-12.7	1000

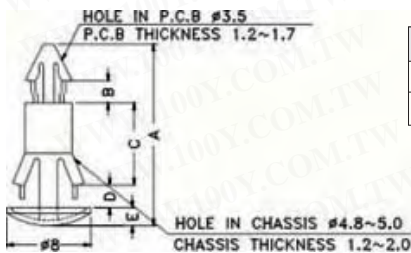
- Material: Nylon 66 (UL)
- Flame class: 94V-2
- Color: natural

Part No.	Product No.	Description
45929	RCR-12.7	PC SPACER SUPPORT



- Material: Nylon 66 (UL)
- Flame class: 94V-2
- Color: natural

Part No.	Product No.	Description
45754	RCS-16	PC SPACER SUPPORT
45751	RCS-6	PC SPACER SUPPORT



Part No.	A	B	C	D	E	Package
RCT-4.5	13.6	2.1	4.5	2.17	1.7	1000
RCT-8	17.0	2.1	7.9	2.17	1.7	

- Material: Nylon 66 (UL)
- Flame class: 94V-2
- Color: natural

Part No.	Product No.	Description
46000	RCT-4.5	PC SPACER SUPPORT
46003	RCT-8	PC SPACER SUPPORT

