



# PCBs & cards

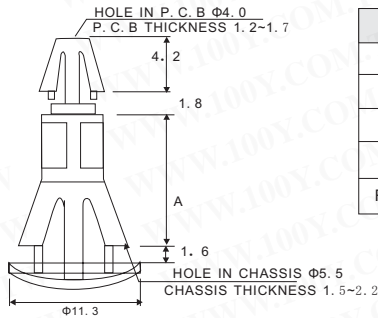
## Pillars

Detailed product specifications are available on: [us.100y.com.tw](http://us.100y.com.tw)



- Material: Nylon 66 (UL)
- Flame class: 94V-2
- Color: natural

Part No.	Product No.	Description
45883	RCA-10	PC SPACER SUPPORT
45884	RCA-12	PC SPACER SUPPORT
45885	RCA-14	PC SPACER SUPPORT
45886	RCA-16	PC SPACER SUPPORT
45875	RCA-2.5	PC SPACER SUPPORT
45876	RCA-3	PC SPACER SUPPORT
45877	RCA-4	PC SPACER SUPPORT
45878	RCA-5	PC SPACER SUPPORT
45879	RCA-6	PC SPACER SUPPORT
45880	RCA-7	PC SPACER SUPPORT
45881	RCA-8	PC SPACER SUPPORT
45882	RCA-9	PC SPACER SUPPORT

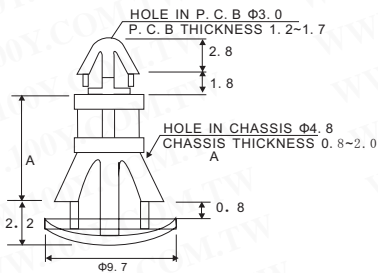


Part No.	A	Package
RCB-3	3.5	1000
RCB-5	5.0	
RCB-6	6.35	
RCB-8	8.0	
RCB-10	10.0	

Part No.	A	Package
RCB-12	12.7	1000
RCB-15	15.9	
RCB-19	19.0	
RCB-25	25.4	500
RCB-35	35.5	

- Material: Nylon 66 (UL)
- Flame class: 94V-2
- Color: natural/ Black

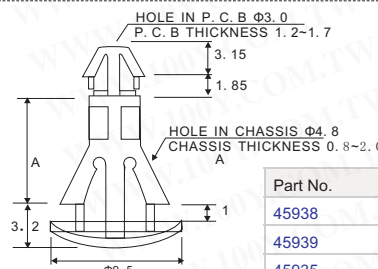
Part No.	Product No.	Description
45741	RCB-10	PC SPACER SUPPORT
45742	RCB-12	PC SPACER SUPPORT
45743	RCB-15	PC SPACER SUPPORT
45744	RCB-19	PC SPACER SUPPORT
45749	RCB-25	PC SPACER SUPPORT
45723	RCB-3	PC SPACER SUPPORT
45750	RCB-35	PC SPACER SUPPORT
45733	RCB-5	PC SPACER SUPPORT
45739	RCB-6	PC SPACER SUPPORT
45740	RCB-8	PC SPACER SUPPORT



Part No.	A	Package
RCC-5	5.0	2000
RCC-6	6.3	
RCC-8	8.0	1000
RCC-10	10.0	
RCC-12	12.7	

- Material: Nylon 66 (UL)
- Flame class: 94V-2
- Color: natural

Part No.	Product No.	Description
45891	RCC-10	PC SPACER SUPPORT
45892	RCC-12	PC SPACER SUPPORT
45888	RCC-5	PC SPACER SUPPORT
45889	RCC-6	PC SPACER SUPPORT
45890	RCC-8	PC SPACER SUPPORT



Part No.	A	Package
RCD-3	3.0	2000
RCD-6	6.3	
RCD-8	8.0	

Part No.	A	Package
RCD-10	10.0	2000
RCD-11	11.0	

Part No.	Product No.	Description
45938	RCD-10	PC SPACER SUPPORT
45939	RCD-11	PC SPACER SUPPORT
45935	RCD-3	PC SPACER SUPPORT
45936	RCD-6	PC SPACER SUPPORT
45937	RCD-8	PC SPACER SUPPORT

- Material: Nylon 66 (UL)
- Flame class: 94V-2
- Color: natural

