

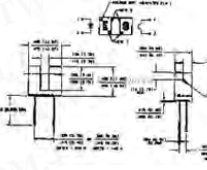



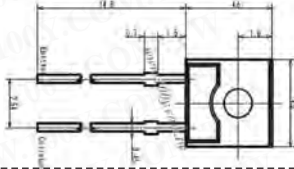




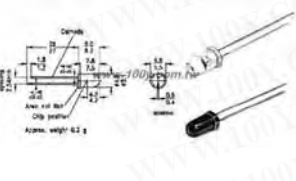
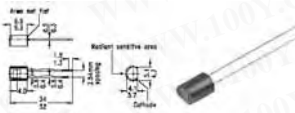


OPTOELECTRONICS & INDICATORS

Slotted, Through Scan

Detailed product specifications are available on: us.100y.com.tw

 <p>OPB745</p>	<p>FEATURES</p> <ul style="list-style-type: none"> ● Focused for maximum sensitivity ● Photodarling output ● Crosstalk dose not exceed specified I_{CEO} ● PC board mounting 	 <p>OPB815W</p>	<p>FEATURES</p> <ul style="list-style-type: none"> ● Non-contact switching ● 24' minimum, 26 AWG wire leads ● 0.375" (9.53mm) wide slot ● 0.430" (10.92mm) deep slot 	 <p>OPB862N55 OPB867N55</p> <p>FEATURES</p> <ul style="list-style-type: none"> ● 0.125" wide gap ● Choice of aperture ● Choice of opaque or IR transmissive shell material
 <p>OPB961N51</p>	 <p>OPB973N51</p>	 <p>OPB973T51</p>	<p>FEATURES</p> <ul style="list-style-type: none"> ● Choice of mounting configuration ● Choice of aperture ● Choice fo output configuration 	 <p>PT23GP11</p>

Part No.	Product No.	Manufacturer	Description	Input/ If	Input/ Vr	Output/ Vceo	Output/ Ic(mA)	Output Type
29285	OPB745	OPTEK	Reflective Object Sensor	40mA	2V	15V	250nA	
34340	OPB815W	BB	DEEP GAP SLOTTED OPTICAL SWITCH	20mA	2V	5V-30V	20mA	
28068	OPB862N55	OPTEK	Slotted Optical Switch	50mA	2V	30V	30mA	Phototransistor
28069	OPB867N55	OPTEK	Photologic Slotted Optical Switch	50mA	2V	30V	30mA	Phototransistor
18684	OPB961N51	OPTEK	Photologic Slotted Optical Switches	20mA	2V	4.75-5.25V	15mA	Buffered Open- Collector Output
40175	OPB973N51	OPTEK	Photologic Slotted Optical Switches					
19638	OPB973T51	OPTEK	Photologic Slotted Optical Switches	20mA	2V	4.75-5.25V	15mA	Buffered Open- Collector Output
39574	P T23GP11	K ODENSHI	Daylight sensor			10V	500 nA	10 nA typ

 <p>SFH203 SFH203FA SFH203P SFH213 SFH213FA SFH229 SFH309FA4 SFH313FA2</p>	 <p>SFH205 SFH205F</p>	 <p>SFH409-2 SFH486 SFH487-2</p>	 <p>SFH485P</p>
--	---	--	--

Part No.	Product No.	Manufacturer	Description	Input/ If	Input/ Vr	Output/ Vceo	Output/ Ic(mA)	Sensing Distance
34958	SFH203	SIEMENS	Silicon PIN Photodiode with Daylight Filter	1nA	1.3V	10V	2mA	850 nm
34960	SFH203FA	SIEMENS	Silicon PIN Photodiode with Daylight	80mA	1.3V	50V	1mA	
35007	SFH203P	SIEMENS	Silicon PIN Photodiode with Daylight Filter	0.003mA	50	350mV	0.8	
36038	SFH205	SIEMENS	Silizium-PIN-Fotodiode mit Tageslichtsperrfilter	100mA	10V	32V	2nA	60
35024	SFH205F	OSRAM	Silicon-PIN-Photodiode with Daylight Filter	100mA	10V	32V	2nA	
35026	SFH213	SIEMENS	Silizium-PIN-Fotodiode mit sehr kurzer Schaltzeit	80mA	1.3V	50V	1nA	
35028	SFH213FA	SIEMENS	Silicon PIN Photodiode with Very Short Switching Time	80mA	20V	50V	1nA	
35029	SFH229	SIEMENS	Silizium-PIN-Fotodiode mit sehr kurzer Schaltzeit	100mA	10V	20V	50pA	
35030	SFH309FA4	SIEMENS	Silicon NPN Phototransistor	4.5mA	25V	35V	15mA	
35087	SFH313FA2	SIEMENS	New: Silicon NPN Phototransistor	100mA	7V	10V	50mA	
35091	SFH409-2	SIEMENS	GaAs-IR-Lumineszenzdiode	100mA	5V	1.3V	100mA	
35096	SFH485P	SIEMENS	GaAIAs-IR-Lumineszenzdiode (880 nm)	100mA	3V	5V	2.5A	
35100	SFH486	SIEMENS	GaAIAs-IR-Lumineszenzdiode (880 nm)	100mA	5V	3V	100mA	
35102	SFH487-2	SIEMENS	GaAIAs Infrared Emitter (880 nm)	100mA	5V	3v	2.5A	

- We provide a wide range of products to development and maintenance engineers in all type of business
- If you cannot find the components you want on the catalogue, please call us.

Taiwan: 886-3-5753170

Shanghai: 021-54151736 Shenzhen: 0755-83298787

Centenary Materials

Waiting for your phone call



T E L : Taiwan: 886-3-5753170
F A X : Taiwan: 886-3-5753172
E-mail : Taiwan: us_sale@100y.com.tw

Shenzhen: 86-755-83298787
Shenzhen: 86-755-83640655
Shenzhen: 100y@163.com

Shanghai: 86-21-54151736
Shanghai: 86-21-64605107
Shanghai: 100y-1@163.com