



OPTOELECTRONICS & INDICATORS

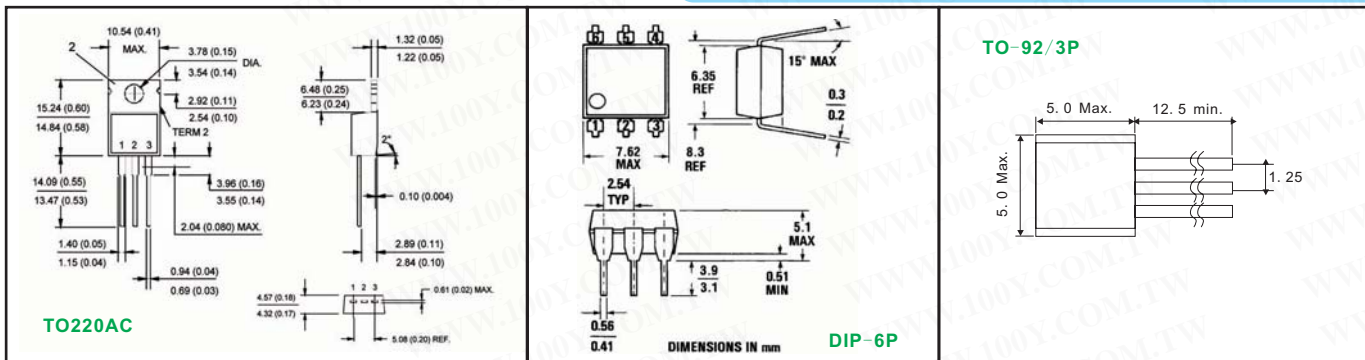
High Speed Optoisolators

Detailed product specifications are available on: us.100y.com.tw

Part No.	Product No.	Manufacturer	Description	Detector Ic	Detector Vceo	Emitter If	Emitter Vf	Isolation(Vrms)	Pins/Parking
33255	HCPL-0531	Agilent	Agilent Dual Channel,High Speed Optocouplers	16mA		25mA	1.5V	2500Vrms	8P/SO
33258	HCPL-0600	Agilent	High CMR, High Speed TTL Compatible Optocouplers	50mA	7V	20mA	15.V	2500Vrms	8P/SO
33267	HCPL-0601	Agilent	High CMR, High Speed TTL Compatible Optocouplers	50mA	7V	20mA	1.5V	2500Vrms	8P/SOIC
33268	HCPL-0630	Agilent	High CMR, High Speed TTL Compatible Optocouplers	50mA	7V	20mA	1.5V	2500Vrms	8P/SOIC
33271	HCPL-0631	Agilent	High CMR, High Speed TTL Compatible Optocouplers	50mA	7V	15mA	1.5V	2500Vrms	8P/SOIC
33278	HCPL-2200	Agilent	Low Input Current Logic Gate Optocouplers	25mA	20V	5mA	1.5V	2500 Vrms	8-Pin DIP
15570	HCPL-2211	Agilent	Very High CMR, Wide Vcc Logic Gate Optocoupler(=HP2211)						8P/DIP
33280	HCPL-2300	Agilent	8 MBd Low Input Current Optocoupler	25Ma	18V	5mA	1.3V	2500 Vrms	8-Pin DIP
33282	HCPL-2400	Agilent	20 MBd High CMR Logic Gate Optocouplers	25mA	10V	10mA	1.3V	2500Vrms	8-Pin DIP
33256	HCPL-2531	Agilent	Agilent Dual Channel,High Speed Optocouplers	16mA		25mA	1.5V	2500Vrms	8P/DIP
33273	HCPL-2601	Agilent	High CMR, High Speed TTL Compatible Optocouplers	50mA	7V	20mA	1.5V	2500Vrms	8-Pin DIP
33274	HCPL-2611	Agilent	High CMR, High Speed TTL Compatible Optocouplers	50mA	7V	20mA	1.5V	2500 Vrms	8P/DIP
33275	HCPL-2630	Agilent	High CMR, High Speed TTL Compatible Optocouplers	50mA	7V	20mA	1.5V	2500 Vrms	8-Pin DIP
33276	HCPL-2631	Fairchild	High CMR, High Speed TTL Compatible Optocouplers	50mA	7V	15mA	1.5V	2500 Vrms	8-Pin DIP
33285	HCPL-2730	Agilent	Dual Channel Low Input Current, High Gain Optocouplers	60mA		20 mA	1.4V	3750 Vrms	8-Pin DIP
33286	HCPL-2731	Agilent	Dual Channel Low Input Current, High Gain Optocouplers	60mA		20mA	1.4V	3750 Vrms	8-Pin DIP
28062	HCPL0631	HP	Dual Channel, High CMR,High Speed, TTL Compatible Optocoupler			7.5 mA	1.5V	2500Vrms	SOIC-8P
29371	IL300-F	Infineon	High Speed Optoisolators			60mA		5300Vrms	DIP/8P
24036	IL300-F-X001	Infineon	Linear Optocoupler, High Gain Stability, Wide Bandwidt h			10mA	1.5max	5300V RMS	8P/SOIC
33949	ILCT6	VISHAY	Optocoupler, Phototransistor Output, Dual Channel	1.0nA	65V			5300 Vrms	DIP-8
15565	PC922	SHARP	OPIC Photocoupler	1A	18V	25mA			8P/DIP
14412	PC923	SHARP	OPIC Photocoupler	40mA	15-30V	20mA	1.75V max	5000V rms	8P/DIP
21386	PC923	SHARP	High Speed Photocoupler for MOS-FET / IGBT Drive		35V	20mA			8P/SMD
13253	PC9D10	SHARP	OPIC, 2 CHANNEL, 10MB/S			15mA	1.75V	15mArms	8P/DIP
34534	PVG612S	IR	HEXFET® Power MOSFET Photovoltaic Relay	2A	60V	5mA	7V	4000V	6P/DIP
27441	QTC2530	QTC	Single Ch. , High Speed Optocoupler						
23872	SFH6186-3	Infineon	Optocoupler, Phototransistor Output, Low Input Current		55V			5300 V RMS	4P/SOIC
34477	SN74LS86AN	Fairchild	HIGH SPEED TRANSISTOR OPTOCOUPLES	16mA		25mA	1.5V	2500Vrms	8 Pin DIP

Phototriac,Photothyristor Coupler

Detailed product specifications are available on: us.100y.com.tw



Part No.	Product No.	Manufacturer	Description	Itriac	On state Volt. (V)	Emitter If	Emitter Vf	Isolation(Vrms)	I to trigger triac	Pins/Parking
35614	16TTS08	IR	PHASE CONTROL SCR	200mA	1.4V	16A	1.4A	800V		TO-220AC
35618	16TTS12	IR	PHASE CONTROL SCR		1.4V	16A	1.4V	1200V		TO-220AC
33804	4N40	QTC	PHOTO SCR OPTOCOUPLES		1.3V		1.1V	400V		6P/DIP
18424	CR02AM	POWER INT.	Lead-Mount,Phase Control SCR		400V					3P/TO-92

