



OPTOELECTRONICS & INDICATORS

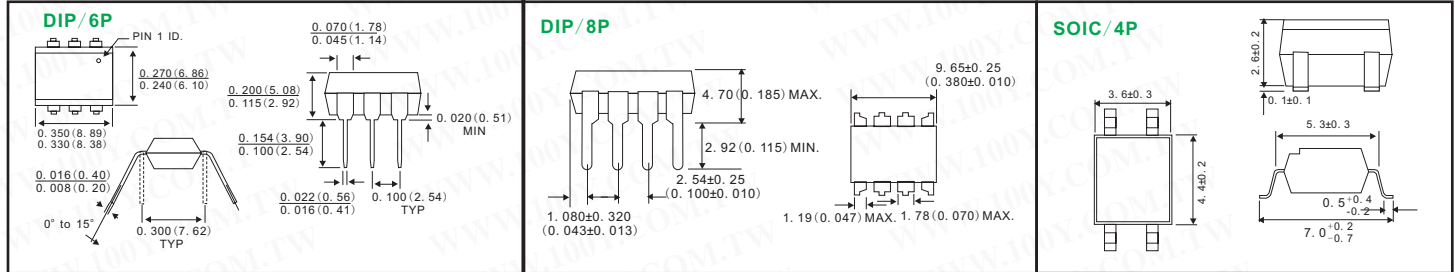
AC Input Optoisolators

Detailed product specifications are available on: us.100y.com.tw

| Part No. | Product No. | Manufacturer | Description | Emitter Vf | Emitter If | Detector I _{ceo} | Detector V _{ceo} | CTR(%) | Isolation(Vrms) | Pins/Packing |
|----------|--------------|--------------|---------------------------------------|------------|------------|---------------------------|---------------------------|---------|-----------------|--------------|
| 34383 | OPI1264B | OPTEK | OPTICALLY COUPLED ISOLATORS | 1.6A | 20mA | 200nA | 30v | 50-125% | 2V | |
| 8095 | PC814 | SHARP | High isolation-AC Input Optoisolators | 1.4V | 50mA | 100nA | 35V | 20~300% | 5000V | 4P/DIP |
| 19343 | PC814A | SHARP | AC Input Photocoupler | 1.2V | +50mA | 50mA | 35V | 20~300% | 5000V | 4P/DIP |
| 39403 | PC814XP1J00F | SHARP | High isolation-AC Input Optoisolators | 1.2V | 50mA | 100nA | 80V | 20~300% | 5000V | 4P/SMD |

Darlington Output Optoisolators

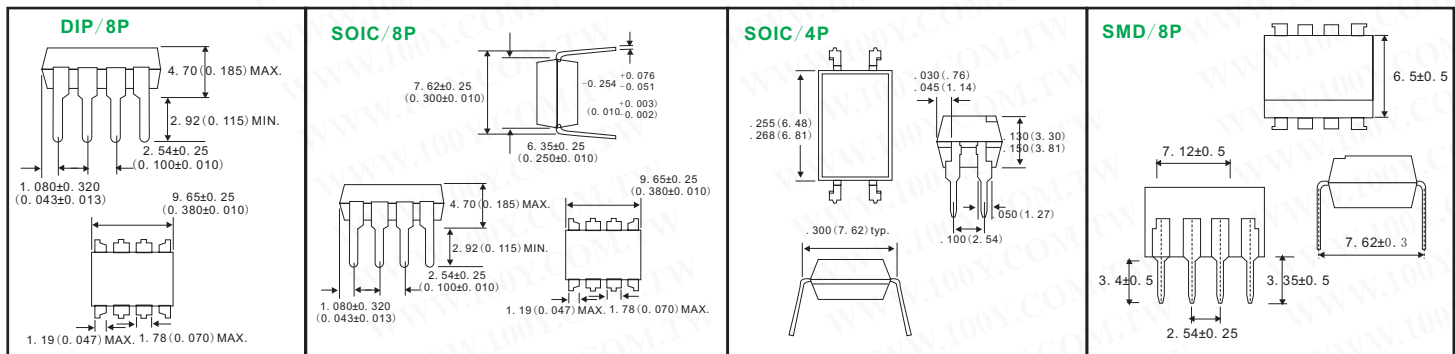
Detailed product specifications are available on: us.100y.com.tw



| Part No. | Product No. | Manufacturer | Description | CTR(%) | Detector I _c | Detector V _{ceo} | Emitter I _f | Emitter V _f | Isolation(Vrms) | Pins/Parking |
|----------|-------------|--------------|--|--------------|-------------------------|---------------------------|------------------------|------------------------|-----------------|--------------|
| 35795 | 4N | VISHAY | Optocoupler, Photodarlington Output, High Gain, With Base Connection | 500% | | 30V | 60mA | | | 6P-DIP |
| 35803 | 4N25 | IR | Industry Standard Single Channel 6 Pin DIP Optocoupler | 20% | 50nA | 30V | 100mA | 1.5V | 5300V | 6P/DIP |
| 7995 | 4N32 | Fairchild | High CTR-PHOTODARLINGTON OUTPUT | 500% | 150mA | 30V | 60mA | 1.2V | 2500AC | 6P-DIP |
| 8006 | 4N33 | Fairchild | High CTR-Darlington Output | 500% | 50mA | 10V | 10mA | 1.5V | 7500V | 6P/DIP |
| 35801 | 4N35 | VISHAY | Industry Standard Single Channel 6 Pin DIP Optocoupler | 100% | 50nA | 30V | | | 5300V | 6P/DIP |
| 35797 | 4N38 | VISHAY | Industry Standard Single Channel 6 Pin DIP Optocoupler | 10% | 50nA | 80V | | | 5300V | 6P/DIP |
| 35698 | 6N138 | HP | Low Input Current, High Gain Optocouplers | 300% min | 60mA | 7 | 20mA | 1.7V | 5300Vrms | 8P/DIP |
| 4140 | 6N138 | QTC | High Sensitivity, High Speed *OPIC Photocoupler | 300% min | 60mA | 7 | 20mA | 1.7V | 5300Vrms | 8P/DIP |
| 4141 | 6N139 | Fairchild | High Sensitivity, High Speed * OPIC Photocoupler | 400% min | 60mA | 18 | 20mA | 1.7V | 2500V | 8P/DIP |
| 16301 | H11B1 | QTC | Darlington Output-PHOTODARLINGTON OUTPUT | 500% min | 100mA | 25V | 60mA | 1.5V max | 5300 Vrms | 6P/DIP |
| 35443 | H11G1 | Fairchild | HIGH VOLTAGE PHOTODARLINGTON OPTOCOUPLES | 100mA(1000%) | 100nA | 100V | 60mA | 1.3V | 5300Vrms | 6P/DIP |
| 18057 | H11G1 | QTC | High Volt.Darlington | 100mA(1000%) | 100nA | 100V | 60mA | 1.3V | 5300Vrms | 6P/DIP |
| 33234 | H11G2 | ISOCOM | HIGH VOLTAGE DARLINGTON OUTPUT OPTICALLY COUPLED ISOLATOR | 1000% | 100 mA | 80V | 60mA | 1.5 V | 5300Vrms | 6P/DIP |
| 8035 | H11G3 | QTC | High Volt.Darlington | 200% | 100mA | 55V | 60mA | 1.2V | 3750Vrms | 6P/DIP |
| 23956 | PC452 | SHARP | Darlington phototransistor | | | 350V | 10mA | 1.4V | 3.75kV | 4P/SOIC |
| 34452 | PS2502-2 | NEC | High Isolation Volt. Photocoupler | 80-600% | 50mA | 80V | 10mA | 1.4V | 5000AC | 8P/DIP |
| 16597 | PS2831-4 | NEC | Output Darlington-Transistor Optocoupler | | 120mA | | | | 3750Vac | |

High Speed Optoisolators

Detailed product specifications are available on: us.100y.com.tw



| Part No. | Product No. | Manufacturer | Description | Detector I _c | Detector V _{ceo} | Emitter I _f | Emitter V _f | Isolation(Vrms) | Pins/Parking |
|----------|-------------|--------------|--|-------------------------|---------------------------|------------------------|------------------------|-----------------|--------------|
| 5380 | 6N137 | Fairchild | High CMR, High Speed TTL Compatible Optocouplers | 50mA | 7 | 20mA | 1.5 | 2500Vrms | 8P/DIP |
| 33245 | HCNW139 | Agilent | Low Input Current, High Gain Optocouplers | | 18 V | 0.5 mA | 0.8V | 5000Vrms | 8P/DIP |
| 23865 | HCNW4502 | Agilent | Single Channel, High Speed 1Mb/s Optocoupler | | | 1A | 1.68V | 3750Vrms | 8P/DIP |
| 33249 | HCPL-0201 | Agilent | Very High CMR, Wide Vcc Logic Gate Optocouplers | 25mA | 20V | 5mA | 1.7V | 2500Vrms | 8P/SO |
| 33251 | HCPL-0501 | Agilent | Single Channel, High Speed Optocouplers | 16mA | | 25mA | 1.5V | 2500Vrms | 8P/SO |
| 33253 | HCPL-0530 | Agilent | Agilent Dual Channel, High Speed Optocouplers | 16mA | | 25mA | 1.5V | 2500Vrms | 8P/SO |

