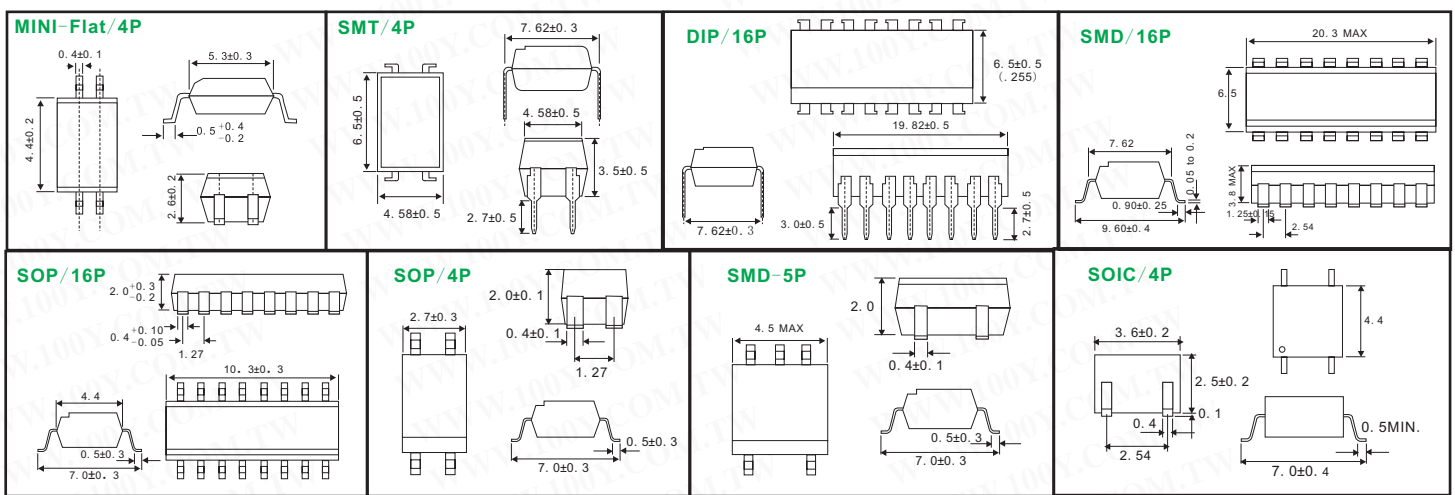




OPTOELECTRONICS & INDICATORS

Transistor Output Optoisolators

Detailed product specifications are available on: us.100y.com.tw



Part No.	Product No.	Manufacturer	Description	Emitter Vf	Emitter If	Detector (Vceo)	Detector Iceo	CTR(%)	Isolation(Vrms)	Pins/Packing
28921	PC357N2TJ00F	SHARP	SSOP Trans. Output Photocoupler	1.2V	50mA	35V	50mA	50~600% min	3750Vrms	Mini-flat
11304	PC357NT	SHARP	SMD Trans. Output Photocoupler	6Vr	50mA	35V	50mA	50~600% min	3750Vrms	4P/Mini-flat (SMT)
40881	PC367N2TJ00F	SHARP	Low Input Current Type Photocoupler	6Vr	10mA			200~400%	3750Vrms	4P/Mini-flat
40883	PC3Q711NIP0F	SHARP	SMD Trans. Output Photocoupler					200~500%		
40104	PC417	SHARP	Compact, Surface Mount Ultra-high Speed Response OPIC Photocoupler	1.97V	16mA	5V	2	60%	5V	Mini-flat package
42755	PC714V	SHARP	High Isolation Voltage Type, General Purpose Photocoupler	1.2V	50mA	35V	MAX. 10 - 7A at VCE = 20V	50 to 600%		DIP-6
29041	PC817A	SHARP	Transistor Output	1.2V	50mA	35V	50mA	80~160%	5000Vrms	4P-DIP
19344	PC817B	SHARP	Transistor Output	1.2V	50mA	35V	50mA	130~260%	5000Vrms	4P-DIP
41508	PC817C	SHARP	High Density Mounting Type Photocoupler	1.4V	20mA	35V	50mA	200 to 400	5000Vrms	4P/DIP
4109	PC817CX3	SHARP	Transistor Output	1.2	50mA	35	50mA	200~400%	5000Vrms	4P/DIP
22796	PC817X1	SHARP	High Density Mounting Type Photocoupler	50mA	1.2~1.4V				5kV	4P/DIP
22800	PC817X2	SHARP	High Density Mounting Type Photocoupler	50mA	1.2~1.4V				5kV	4P/DIP
32644	PC817X3NSZW	SHARP	Photocoupler Transistor Output	1.2	50mA	35	50mA	300~600%	5000Vrms	4P/DIP
39502	PC817X4J000F	SHARP	DIP 4P General Purpose Photocoupler							4P/DIP
17675	PC817XI	SHARP	High Density Mounting Type Photocoupler	1.2V	50mA	35	50mA	200~400%	5000Vrms	4P-SMT
40443	PC817X14	SHARP	General Purpose Photocoupler	1.2V	50mA	80	50mA	50~600%	5000Vrms	4P-SMT
19353	PC817XP	SHARP	Photocoupler Photocoupler	1.2V	50mA	35V	50mA	200~400%	5000Vrms	SMD
14569	PC827	SHARP	High Density Mounting Type Photocoupler	1.4V	50mA	35	100nA	50~600%	5000Vrms	8P/DIP
4106	PC847XJ0000F	SHARP	High isolation-Transistor Output	1.2V	50mA	35V	50mA	120%	5000Vrms	16P/DIP
17676	PC910	SHARP	Ultra-high Speed Response OPIC Photocoupler	1.6V	20mA	5.5V			2500	8P/DIP
13330	PS2501-1	NEC	High Isolation Volt. Photocoupler	1.4V	80mA	80V	50mA	80~600%	5000 Vr.m.s.	4P/DIP
23948	PS2501-2	NEC	High Isolation Volt. Photocoupler	1.4V		80V		80~600%	5000 Vr.m.s.	8P-DIP
13266	PS2501-4	NEC	High Isolation Volt. Photocoupler	1.4V	80mA	80V	50mA	80~600%	5000 Vr.m.s.	16P-DIP
20582	PS2501L-1-E3	NEC	High Isolation Volt. Photocoupler	1.4V	80mA	80V	50mA	200~400%	5000 Vr.m.s.	SMD-4P
17179	PS2502-1	NEC	High Isolation Volt. Photocoupler	1.4V	80mA	40V	400nA	200% min	5000V	DIP-4P
16847	PS2502-4	NEC	High Isolation Volt. Photocoupler	1.4V	80mA	40V	400nA	200% min	5000V	DIP-16
17178	PS2502L-1	NEC	High Isolation Volt. Photocoupler	1.4V	80mA	40V	400nA	200% min	5000V	SMD-4P
17177	PS2502L-4	NEC	High Isolation Volt. Photocoupler	1.4V	80mA	40V	400nA	200% min	5000V	SMD-16 (Lead Bending)
41078	PS2561-1-V-A(L)	NEC	High Isolation Volt. Photocoupler (Pb Free)	1.17V	80mA	80V	100nA	200~400%	5000V	4P-DIP
39543	PS2801-1	NEC	Photocoupler	6V	50mA	80V	50mA			4P/SOP
39547	PS2801-4	NEC	Photocoupler	6V	50mA	80V	50mA			16P/SOP
39725	PS2802-1	NEC	Photocoupler	6V	50mA	40V	90mA	200	6V	4P/SOP
39721	PS2802-4	NEC	Photocoupler	6V	50mA	40V	100mA	200	6V	SOP/16P
28594	PS8701	NEC	HIGH NOISE REDUCTION HIGH-SPEED ANALOG OUTPUT TYPE PHOTOCOUPLER			35V	8.0mA	20%	2500Vr.m.s.	5P/SMD
35223	SFH6156-2T	VISHAY	Optocoupler, High Reliability, 5300 VRMS	6V	60mA	7V	100mA	CTR 63 - 125 %	5300v	SMD-4
35235	SFH615A-2	Infineon	Optocoupler, High Reliability, 5300 VRMS	6V	60mA	7V	100mA	CTR 63 - 125 %	5300V	DIP-4
42750	SFH617A-3	VISHAY	Optocoupler, High Reliability, 5300 VRMS	1.25V	60mA	70 V	5.0nA	CTR 100 - 200 %	5300 VRMS	DIP-4
23959	TCDT1122G		Optocoupler with Phototransistor Output	1.6V	50mA		150nA	1.25%	400Vrms	6P/DIP
15327	TIL113	Fairchild	Optocoupler-Transistor Output	1.5V	100mA	30V	100nA	30~300%(Min)	5300V	6P/DIP
15329	TIL117	Fairchild	Optocoupler-Transistor Output	1.4V	100mA	30V	50nA	50%	5300V	6P/DIP
33214	TL281-4	TOSHIBA	TOSHIBA Photocoupler GaAs Ired & Photo?Transistor	1.15V	50mA	80V				16P/SOP
17688	TLP124BV	TOSHIBA	Transistor Output Optoisolators		1mA	0.5		1200	3750	SMD-4P
15895	TLP181GB	TOSHIBA	PHOTO-TRANSISTOR	1.3V	50mA	80V	50mA	50~600%	3750Vrms	4P/SOIC
23406	TLP181GB	TOSHIBA	PHOTO-TRANSISTOR	1.3V	50mA	80V	50mA	50%	3750	4P/SOIC



T E L : Taiwan : 886-3-5753170
 F A X : Taiwan : 886-3-5753172
 E-mail : Taiwan : us_sale@100y.com.tw

Shenzhen : 86-755-83298787
 Shenzhen : 86-755-83640655
 Shenzhen : 100y@163.com

Shanghai : 86-21-54151736
 Shanghai : 86-21-64605107
 Shanghai : 100y-1@163.com