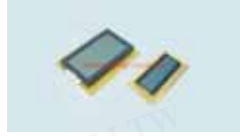




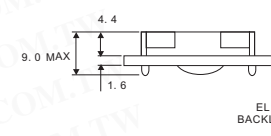
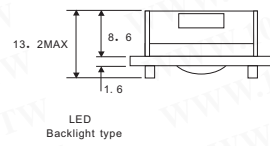
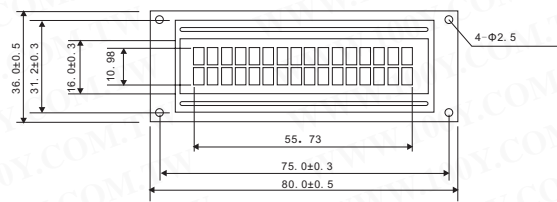
Graphic Module LCD

Detailed product specifications are available on: us.100y.com.tw

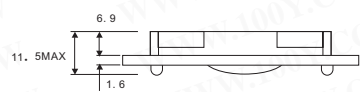
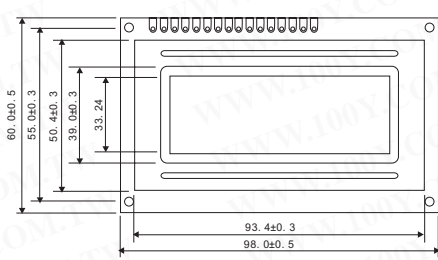
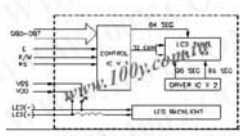


FEATURES

LCD MODE	TN/STN
CHARACTER FONTS:	5X8 DOTS (WITH CURSOR)
CONTROLLER:	Nt3881 OR EQUIVALENT
POWER SUPPLY FOR LCM:	DC+5V
LED BACKLIGHT INPUT:	DC+5V
EL BACKLIGHT INPUT:	AC90~100V (400~700Hz)
EL INVERTER:	SDEC-1001A (1001B)



Part No.	Product No.	Manufacturer	Description	Size	Screen size	Word size
39494	LMC-SSC2B16DLYY	SDEC	Graphic LCD 122*32 Dots	84*44*13.5	60*18.0	0.4*0.45

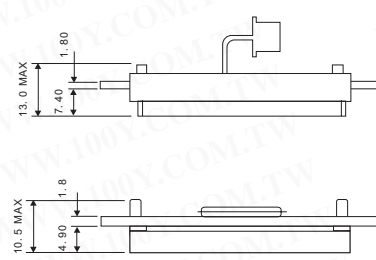
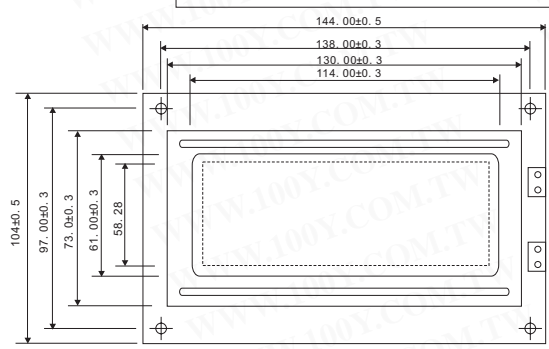


LCD Mode	TN/STN
Backlight type	Led Backlight
Character Fonts	8 Characters x 4Line
Power supply for LCM	DC+5V
Led Backlight input	DC+5V

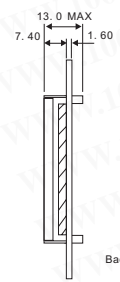
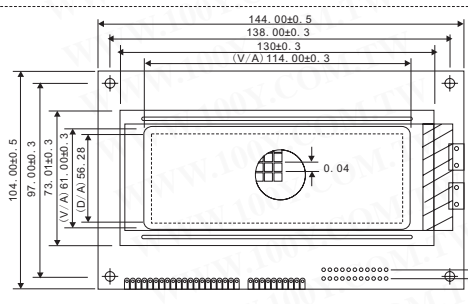
Part No.	Product No.	Manufacturer	Description	Size	Screen size	Word size
40720	LMG-SS12K64DLYY	SDEC	Led Backlight	98*60mm	CV/272*CV/A339	CD/A266.32*CD/A133.64



LCD TYPE	STN/FSTN
LCM BACKLIGHT TYPE	EL /FL/LED BACKLIGHT
LCM CONTROLLER IC	BUILT IN Lc7981 OR EQUIVALENT
POWER SUPPLY FOR LCM	DC+5.0V
LED BACKLIGHT INPUT	DC+0.5V
EL BACKLIGHT INPUT	AC 90~100V (400~700HZ)
EL INVERTER	SDEC-1003A
FL BACKLIGHT INPUT	AC 1KV (30KHZ)
FL INVERTER	SDEC-FL001 (5A)



Part No.	Product No.	Manufacturer	Description	Size	Screen size	Word size
1855	LMG-SS24B12DLYY	SDEC	240*128 Dots Graphic Module LCD	144*104*10.5	114*61	0.40*0.40



Part No.	Product No.	Manufacturer	Description	Size	Screen size	Word size
42913	LMG-SS24D12DLNW-E	SDEC	DOT MATRIX LIQUID CRYSTAL DISPLAY	144.0W × 104.0H × 13.0D mm	114.0W × 61.0H mm	0.40W × 0.40H mm

