

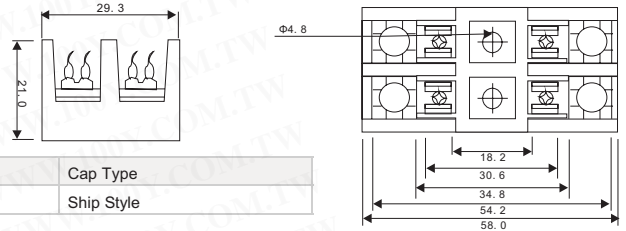


Open Type Fuseholders

Detailed product specifications are available on: us.100y.com.tw



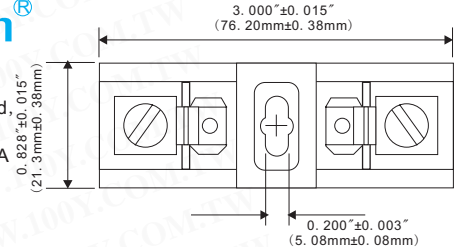
2P 30mm fuse
10A 250V



Part No.	Product No.	Description	Size	Cap Type
5938	0832	Fuse Holder 10A	2P	Ship Style



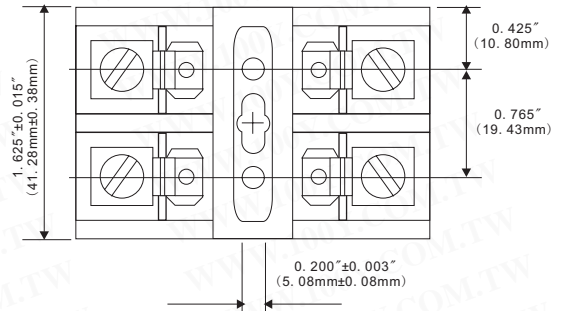
Type M supplementary fuseblocks
For use with any 13/32"x1 1/2" fuses (Bussmann KTK, FNQ, FNM, BAF, BAN, and AGU)
Ampere rating: 1/10 to 30A
Voltage rating: 600V
Withstand rating: 10,000 RMS Sym. or interrupting rating of the fuse used, whichever is lower.
Agency information: UL recognized, UL 512, Guide IZLT2, File E14853 CSA Certified, C22. 2 No. 39, class 6225-01, file 47235
UL Flammability: 94VO
Material: Thermoplastic
DIN-RAIL Adapters: DRA-1 and DRA-2



Part No.	Product No.	Manufacturer	Description	Size	Cap Type
12264	BB-BM6031SQ	Bussmann	Fuse Holder 30A-600V	1P	Ship Style



Type M supplementary fuseblocks
For use with any 13/32"x1 1/2" fuses (Bussmann KTK, FNQ, FNM, BAF, BAN, and AGU)
Ampere rating: 1/10 to 30A
Voltage rating: 600V
Withstand rating: 10,000 RMS Sym. or interrupting rating of the fuse used, whichever is lower.
Agency information: UL recognized, UL 512, Guide IZLT2, File E14853 CSA Certified, C22. 2 No. 39, class 6225-01, file 47235
UL Flammability: 94VO
Material: Thermoplastic
DIN-RAIL Adapters: DRA-1 and DRA-2



Part No.	Product No.	Manufacturer	Description	Size	Cap Type
37658	BB-BM6032SQ	Bussmann	Fuse Holder 10-30A-600V	2P	Ship Style
37660	BB-BM6033SQ	Bussmann	Fuse Holder 10-30A-600V	3P	Ship Style



Fuse Holder

Part No.	Product No.	Description
32943	BJ-CT04	Fuse Holder



Ampere rating: 1/10 to 600A
Voltage rating: 250V
Agency information: UL Listed, UL 512, Guide IZLT, File 14853
CSA Certified, C22. 2 No. 39, Class 6225-01, file 47235
Withstand rating: 10,000A RMS Sym, for use with class H fuses (NON and REN)
UL Flammability: 94VO
Materials: Thermoplastic



Part No.	Product No.	Manufacturer	Description	Size	Cap Type
35705	H25030-1S	Bussmann	Fuse Holder 30A-250V	1P	Ship Style

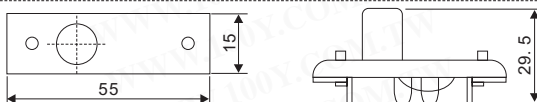


SPECIFICATIONS
Voltage rating: 250 Volts; 600Volts
Ampere rating: 0-600 amperes
Approvals: UL Listed (file No. E 14721)
CSA Certified (file No. LR73091)

FEATURES/BENEITS
Class H and Class R fuse blocks feature a one-piece fuse clip design for positive electrical contact and minimum heat rise. Side barriers provide isolation between poles, bases on most blocks are of molded phenolic or thermoplastic, UL rated at 150°C



Part No.	Product No.	Manufacturer	Description	Size	Cap Type
11211	LH25030-1S	Littelfuse	Fuse Holder 30A-250V	1P	Ship Style



Part No.	Product No.	Description	Size	Cap Type
14223	TFB-101N	Fuse Holder +10 A LED	1P	Ship Style

