



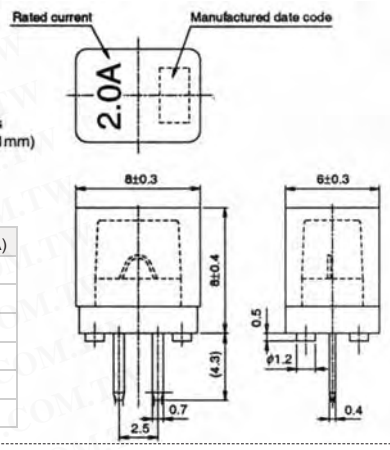
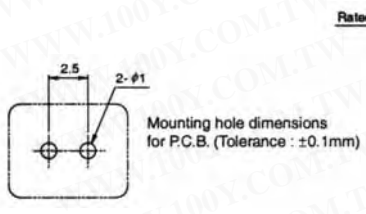
Daito Fuses

Daito_HP/HM/DM/LM Series Fuses

Detailed product specifications are available on: us.100y.com.tw



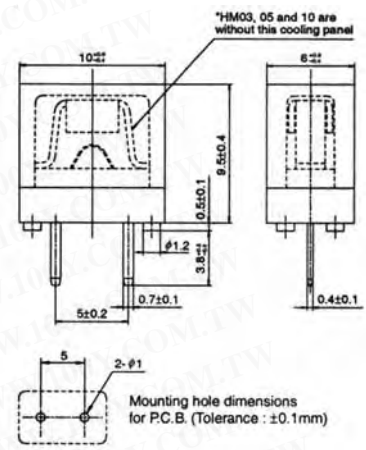
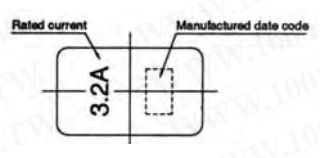
- Physical size: net weight 8x6x8.5mm 0.4g
- Color: transparent body type
- Package: 50pcs/stick
- Applicable fuseholders DMH DM2H



Part No.	Product No.	Manufacturer	Description	Amp. Rating	Volt. Rating	Dim. (mm)	IR (A)
35883	DM03	Daito	Daito-diamonds Normal Blow Fuses	0.3A	125V AC/DC	8*6*8.5Hmm	50A
35884	DM05	Daito	Daito-diamonds Normal Blow Fuses	0.5A	125V AC/DC	8*6*8.5Hmm	50A
10528	DM10	Daito	Daito-DM Series Micro Fuses For PCB	1A	125VAC/DC	8*6*8.5Hmm	50A
10529	DM16	Daito	Daito-DM Series Micro Fuses For PCB	1.6A	125VAC/DC	8*6*8.5Hmm	50A
12327	DM20	Daito	Daito-DM Series Micro Fuses For PCB	2A	125VAC/DC	8*6*8.5Hmm	50A
12328	DM32	Daito	Daito-DM Series Micro Fuses For PCB	3.2A	125VAC/DC	8*6*8.5Hmm	50A



- Physical size: net weight 10x6x10mm 0.7g
- Color: transparent body type
- Package: 50pcs/stick
- Applicable fuseholders HM1H HM2H

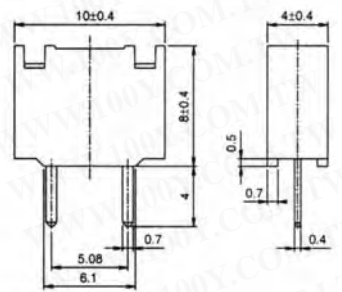
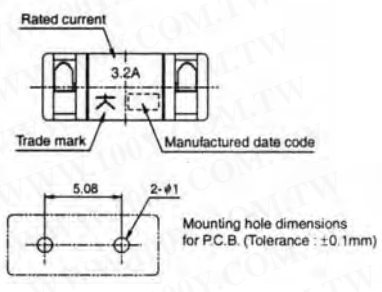


Part No.	Product No.	Manufacturer	Description	Amp. Rating	Volt. Rating	Dim. (mm)	IR (A)
28501	HM03	Daito	Daito-HM Series Micro Fuses For PCB	0.3A	250VAC/DC	10*6*10Hmm	50A
35891	HM05	Daito	Daito-diamonds Normal Blow Fuses	0.5A	250V AC/DC	10*6*10Hmm	50A
10280	HM10	Daito	Daito-HM Series Micro Fuses For PCB	1A	250VAC/DC	10*6*10Hmm	50A
35892	HM16	Daito	Daito-diamonds Normal Blow Fuses	1.6A	250VAC/DC	10*6*10Hmm	50A
35893	HM20	Daito	Daito-diamonds Normal Blow Fuses	2A	250VAC/DC	10*6*10Hmm	50A
35894	HM32	Daito	Daito-diamonds Normal Blow Fuses	3.2A	250VAC/DC	10*6*10Hmm	50A
35895	HM50	Daito	Daito-diamonds Normal Blow Fuses	5A	250VAC/DC	10*6*10Hmm	50A



LM03 LM32 LM50

- Physical size: net weight 10x4x8mm 0.4g
- Color: Black or transparent body type
- Package: 100pcs/stick
- Applicable fuseholders LM1H LM2H



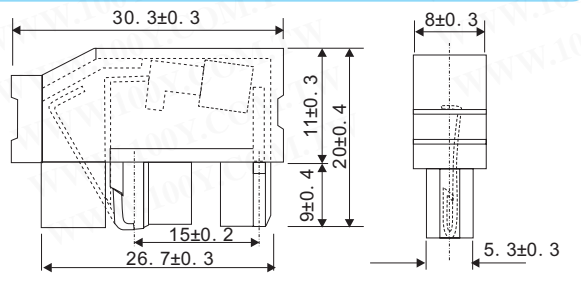
Part No.	Product No.	Manufacturer	Description	Amp. Rating	Volt. Rating	Dim. (mm)	IR (A)
17284	LM03	Daito	Daito-LM Series Micro Fuses For PCB	0.3A	48VAC/DC	10*4*8mm	50A
13057	LM05	Daito	Daito-LM Series Micro Fuses For PCB	0.5A	48VAC/DC	10*4*8mm	50A
19210	LM10	Daito	Daito-LM Series Micro Fuses For PCB	1A	48VAC/DC	10*4*8mm	50A
35897	LM13	Daito	Daito-LM Series Micro Fuses	1.3A	48V AC/D C	10*4*8mm	50A
35898	LM16	Daito	Daito-LM Series Micro Fuses	1.6A	48VAC/D C	10*4*8mm	50A
19211	LM20	Daito	Daito-LM Series Micro Fuses For PCB	2A	48VAC/DC	10*4*8mm	50A
19212	LM32	Daito	Daito-LM Series Micro Fuse For PCB	3.2A	48VAC/DC	10*4*8mm	50A
25939	LM40	Daito	Daito-LM Series Micro Fuses For PCB	4A	48VAC/DC	10*4*8mm	50A
17283	LM50	Daito	Daito-LM Series Micro Fuses For PCB	5A	48VAC/DC	10*4*8mm	50A

Daito_P4/P3 Series Fuses

Detailed product specifications are available on: us.100y.com.tw



- Physical size: net weight: 30.3x8x20mm 4g
- Color: dark green
- Package: 50Pcs/stick
- Applicable fuseholders: HPH-2S, 4S, 2P, 4P, 2V, 4V



Part No.	Product No.	Manufacturer	Description	Amp Rating	Working Volt.	Size(mm)
41311	HP32	Daito	Daito_Fuses	3.2A	250V	30.3*8*20mm

