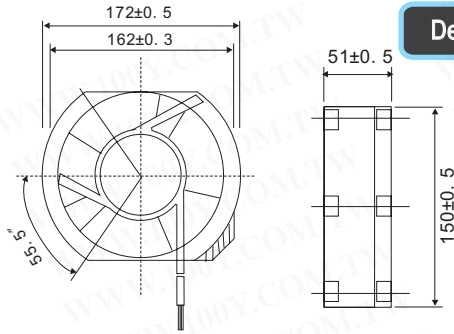




AC Axial Fan

Detailed product specifications are available on: us.100y.com.tw



Impedance protection
FULLTECH_AC Axial Fan



Unit: mm

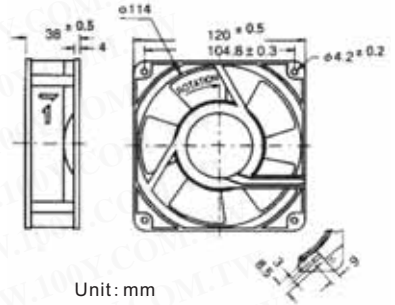
Impedance Protection

Part No.	Product No.	Manufacturer	Description	Air Flow(CFM)	Current(A)	Watts	Noise (dBA)	Volt.	R.p.m	Ball/Sleeve
41615	UF-12A23-H	FULLTECH	FULLTECH_AC fan	92-106	0.08-0.10	15-17	42-46	230V		
29505	UF-15P23H	FULLTECH	FULLTECH_AC Axial Fan					230V	2750-3100	
31766	UF-80A23-H	FULLTECH	FULLTECH_AC fan	24/30		14/12W		230V	2500/3000	Ball
31767	UF-80A23-L	FULLTECH	FULLTECH_AC fan	20-25		14/12		230V	1900-2400	



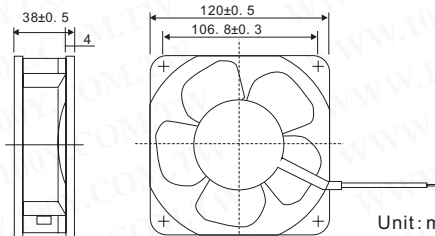
FEATURES

- Fram/Housing: aluminum die-casting or plastic
- Impeller: plastic 94V-0
- Bearing: ball bearing or sleeve bearing
- Moter: shaded pole or capacitor induction
- Air direction: lable side direction
- Connects: lead wire or terminal type
- Protection: Impedance protection or thermal protection
- Insulation resistance: above 100MΩ,DC500V
- Dielectric withstand voltage: AC 1500V (50/60Hz) one min.
- Operating temperature: ball bearing: -40°C~70°C Sleeve bearing: -20°C~70°C
- Life expectancy: ball bearing: 40,000hr (at ordinary temperature and humidity)
Sleeve bearing: 15,000hr, (at ordinary temperature and humidity)
- Safety: UL, CSA, VDE, CE, TUV are approved



Unit: mm

Part No.	Product No.	Manufacturer	Description	Air Flow(CFM)	Size(mm)	Current(A)	Watts	Noise (dBA)	Volt.	r.p.m	Ball/Sleeve
14671	UF12A12-H	FULLTECH	AC FAN	2.6/3	120*120*38mm	0.19/0.22	17/15	45/47	120VAC	2700/3100	Sleeve

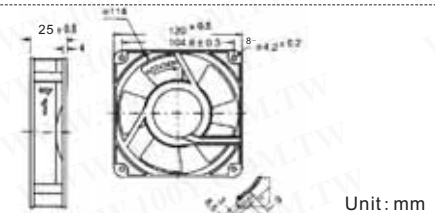


Impedance protection
AC Axial Fan



Unit: mm

Part No.	Product No.	Manufacturer	Description	Air Flow(CFM)	Size(mm)	Current(A)	Watts	Noise (dBA)	Volt.	r.p.m	Ball/Sleeve
35001	UF12A23-BTH0	FULLTECH	AC Axial Fan	2.1/2.3	120*120*38mm	0.07-0.09A	17/15	36/38	230V	2100/2300	Sleeve
39368	UF12A23-BTL	FULLTECH	AC Axial Fan	2.1/2.3	120*120*38mm	0.07-0.09A	17/15	36/38	230V	2100/2300	Sleeve



Impedance protection
AC Axial Fan



Unit: mm

Part No.	Product No.	Manufacturer	Description	Air Flow(CFM)	Size(mm)	Current(A)	Watts	Noise (dBA)	Volt.	r.p.m	Ball/Sleeve
42749	UF12B11-L	FULLTECH	AC Axial Fan	53/46	120*120*25	0.11A/0.14	11W	33DB/31DB	115V	2000/1600	Sleeve



"SUNON" 12VDC Axial Fan



Part No.	Product No.	Description	Size(mm)	Current(A)	Watts	Noise (dBA)	Volt.	r.p.m	Ball/Sleeve
41647	UP-15P23 BTH	"SUNON" 12VDC Axial Fan	230V	3100	0.23A	0.9W	170	50dBA	Sleeve Bearing

● We provide various product for your choice and help you develop infinite commercial chance!

[Http://us.100y.com.tw/](http://us.100y.com.tw/)

Centenary Materials

waiting for your phone call



T E L : Taiwan: 886-3-5753170
F A X : Taiwan: 886-3-5753172
E-mail : Taiwan: us_sale@100y.com.tw

Shenzhen: 86-755-83298787
Shenzhen: 86-755-83640655
Shenzhen: 100y@163.com

Shanghai: 86-21-54151736
Shanghai: 86-21-64605107
Shanghai: 100y-1@163.com