



Polyethylene Screw Terminal

Detailed product specifications are available on: us.100y.com.tw

Part No.	Product No.	Description	nom. Current (A)	Volt. Rating (r.m.s)
3650	PA8F-04P	Terminal Block	4	35*16.3*13.3
3649	PA8F-05P	Terminal Block	5	43*16.3*13.3
3651	PA8F-06P	Terminal Block	6	51*16.3*13.3
3653	PA8F-07P	Terminal Block	7	59*16.3*13.3
3652	PA8F-08P	Terminal Block	8	67*16.3*13.3
3654	PA8F-09P	Terminal Block	9	75*16.3*13.3
3655	PA8F-10P	Terminal Block	10	83*16.3*13.3
3656	PA8F-11P	Terminal Block	11	91*16.3*13.3
3648	PA8F-12P	Terminal Block	12	99*16.3*13.3

DIN Rail Mount Type Terminals + Interface Module

S+DK Series-DIN Rail Mount Terminal

Detailed product specifications are available on: us.100y.com.tw



DDK2.5



DDK2.5C



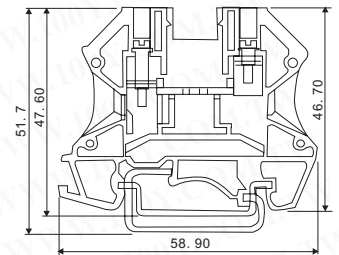
Approval	UR, VDE, FIMKO	
	UL	IEC
Technical data	UL	IEC
Rated voltage	300V	400V
Rated current	20A	24A
Wire range	2.5mm ²	
Solid wire (AWG)	22~12	
Standed wire (AWG)	22~12	
Insulation withstand voltage	6kV	
Torque (Lb-in)	3.5	
Screw	M2.5	
Wire strip length	6mm	

Part No.	Product No.	Manufacturer	Description	Thickness
17850	DDK2.5	DINKLE	S+DK Series-DIN Rail Mount Terminal -Double Deck	5.0mm
17851	DDK2.5C	DINKLE	S+DK Series-DIN Rail Mount Terminal-Cover Of Double Deck	5.0mm



- Rated (UL) :600V/25A
- (IEC) :500V/24A
- Suitable wire :22~12AWG (2.5mm²)
- Torque value :4kg-cm
- Material :polyamide, UL94 (V0)

- Screw size :M2.5
- Rail type :TS-35. TS-32
- Temperature : -40°C~+105°C
- Thickness :5.0mm

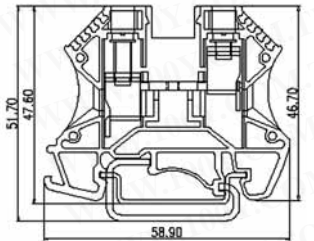


Part No.	Product No.	Description	Thickness
13942	DK2.5	S+DK Series-DIN Rail Mount Terminal	5.00mm



- Rated (UL) :600V/45A
- (IEC) :800V/41A
- Suitable wire :22~8AWG (1.5mm²)
- Torque value :4kg-cm
- Material :polyamide, UL94 (V0)

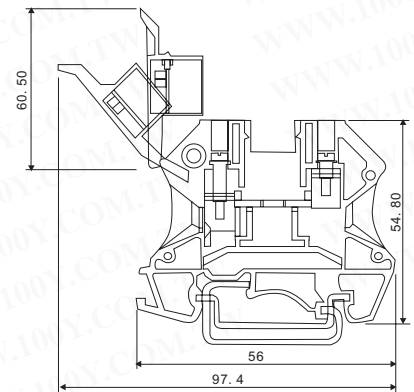
- Screw size :M2.5
- Rail type :TS-35. TS-32
- Temperature : -40°C~+105°C
- Thickness :8.0mm



Part No.	Product No.	Description	Thickness
13943	DK6	S+DK Series-DIN Rail Mount Terminal	8.00mm



Approval	UR, VDE, FIMKO	
	UL	IEC
Technical data	UL	IEC
Rated voltage	300V	400V
Rated current	6.3A	6.3A
Wire range	4mm ²	
Solid wire (AWG)	24~12	
Standed wire (AWG)	24~12	
Insulation withstand voltage	6kV	
Torque (Lb-in)	7	
Screw	M3	
Wire strip length	10~12mm	



Part No.	Product No.	Manufacturer	Description	Thickness
24042	FDK4LED	DINKLE	S+DK Series-DIN Rail Mount Terminal	8.00mm

