

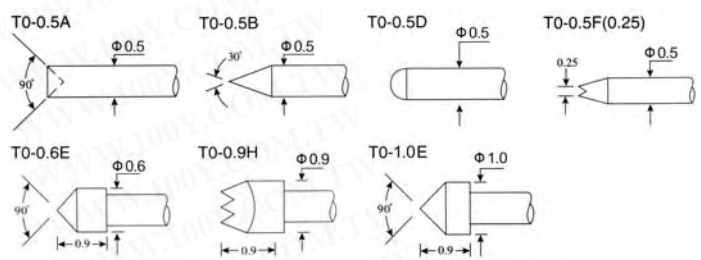
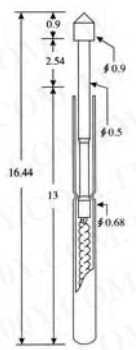


# Spring Probes

Detailed product specifications are available on: [us.100y.com.tw](http://us.100y.com.tw)



Recommended min center	1.27m/m
Mounting hole size	0.9m/m
Materials	Plunger: RH. plated be cu Barrel: au. plated PH. bronze
Full travel	2.54m/m
Spring pressure	128gms
Current rating	3A
Contact resistance	50milliohms



Part No.	Product No.	Manufacturer	Description	Recommended Min Cent	Mounting Hole Size	Full Travel	Spring Pressure	Current Rating	Contact Resistance	Length	End Diameter
10723	T0-0.5A-254	T.C.P	T-0 Bare Board Probes	1.27m/m	0.9m/m	2.54m/m	254gms	3A	50milliohm	16.44mm	0.68
10722	T0-0.5B-254		T-0 Bare Board Probes	1.27m/m	0.9m/m	2.54m/m	254gms	3A	50milliohm	16.44mm	0.68
12537	T0-0.5D-254		T-0 Bare Board Probes	1.27m/m	0.9m/m	2.54m/m	254gms	3A	50milliohm	16.44	0.68
12538	T0-0.5F-0.15-254		T-0Bare Board Probes	1.27m/m	0.9m/m	2.54m/m	254gms	3A	50milliohm	16.44	0.68
12502	T0-0.6E-254		T-0 Bare Board Probes	1.27m/m	0.9m/m	2.54m/m	254gms	3A	50milliohm	16.44mm	0.68
23762	T0-0.9E	T.C.P	T-0 Bare Board Probes	1.27m/m	0.9m/m	2.54m/m	128gms	3A	50milliohm	16.44mm	0.68
12750	T0-0.9H-254		T-0 Bare Board Probes	1.27m/m	0.9m/m	2.54m/m	128gms	3A	50milliohms	16.44mm	0.68
23763	T0-0.9T	T.C.P	T-0 Bare Board Probes	1.27m/m	0.9m/m	2.54m/m	128gms	3A	50milliohm	16.44mm	0.68
12524	T0-1.0E-254		T-0 Bare Board Probes	1.27m/m	0.9m/m	2.54m/m	254gms	3A	50milliohm	16.44mm	0.68

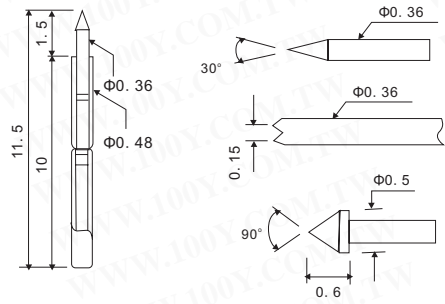


T030-0.36B

T030-0.36F



T030-0.5E



Recommended min center: 0.8m/m  
 Mounting hole size: 0.65m/m  
 Full travel: 1.5m/m  
 Spring pressure: 70gms

Part No.	Product No.	Manufacturer	Description	Recommended Min Cent	Mounting Hole Size	Full Travel	Spring Pressure	Length	End Diameter
17925	T030-0.36B	T.C.P	Spring Probes	0.8m/m	0.65m/m	0.65m/m	70gms	11.5	0.48
17926	T030-0.36F	T.C.P	Spring Probes	0.8m/m	0.65m/m	0.65m/m	70gms	11.5	0.48
17927	T030-0.5E	T.C.P	Spring Probes	0.8m/m	0.65m/m	0.65m/m	70gms	11.5	0.48

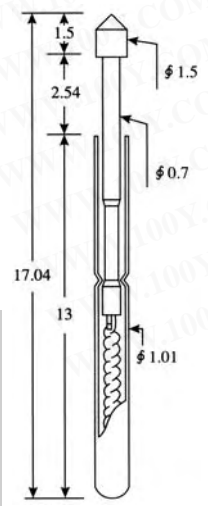
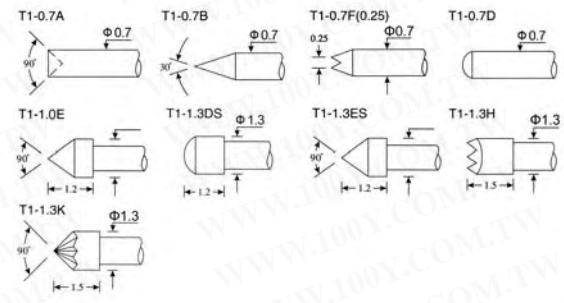


- Recommended min. center: 0.75 (.0295")
- Mounting hole size: 0.57 (.0225")
- Full travel: 1.5 (.059")
- Materials and finishes:  
 plunger: SK4, Rh plated  
 Barrel: phosphor bronze, gold plated  
 Spring: music wire, gold plated
- Current rating: 1A
- Contact resistance: 50mΩ

Part No.	Product No.	Manufacturer	Description	Mounting Hole Size	Full Travel	Spring Pressure	Length	End Diameter
17928	T040-0.5E	T.C.P	Spring Probes	0.6m/m	1.5m/m	45gms	11.5	0.39



Recommended min center	1.9m/m
Mounting hole size	1.4; 1.45m/m
Materials	Plunger: RH. plated be cu Barrel: au. plated brass
Full travel	2.54m/m
Spring pressure	128gms
Current rating	3A
Contact resistance	50milliohms



Part No.	Product No.	Manufacturer	Description	Recommended Min Cent	Mounting Hole Size	Full Travel	Spring Pressure	Current Rating	Contact Resistance	Length	End Diameter
12753	T1-0.7A	T.C.P	T-1 Bare Board Probes	1.9m/m	1.4;1.45m/m	2.54m/m	128gms	3A	50milliohms	17.04	1.01
12754	T1-0.7B(SK4)		T-1 Bare Board Probes	1.9m/m	1.4;1.45m/m	2.54m/m	128gms	3A	50milliohms	17.04	1.01
12755	T1-0.7D		T-1 Bare Board Probes	1.9m/m	1.4;1.45m/m	2.54m/m	128gms	3A	50milliohms	17.04	1.01
12756	T1-0.7F		T-1 Bare Board Probes	1.9m/m	1.4;1.45m/m	2.54m/m	128gms	3A	50milliohms	17.04	1.01
12536	T1-1.0E		T-1 Bare Board Probes	1.9m/m	1.4;1.45m/m	2.54m/m	128gms	3A	50milliohm	17.04mm	1.01
12541	T1-1.3DS		T-1 Bare Board Probes	1.9m/m	1.4;1.45m/m	2.54m/m	128gms	3A	50milliohm	17.04m/m	1.01m/m

