



Other Type Connectors

Detailed product specifications are available on: us.100y.com.tw

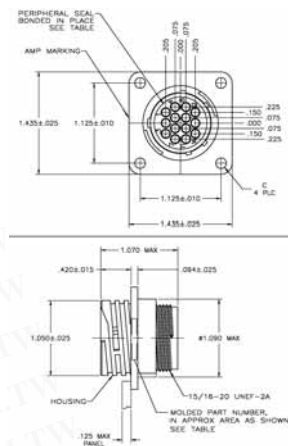


SEARCHABLE FEATURES

- Gender: receptacle
- Used with: Socket contacts
- Preloaded: No
- Terminate to: wire
- Shell size: 17
- Shell type: all plastic
- Product series: series 1
- Reverse Numbering: No
- Mount style: mounting holes
- Sealed: No
- VDE tested: No
- Standard or reverse gender: reverse

OTHER PROPERTIES

- Wire insulation diameter (mm): 2.54mm
- Panel attachment method: square flange
- Housing material: thermoplastic
- Housing color: black
- Housing material flammability rating: UL94V-0
- Keying: A



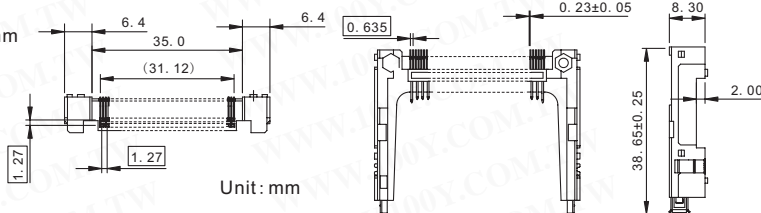
Unit: mm

Part No.	Product No.	Description	Pins
12831	0-206043-1	Receptacle Connector	14P



Memory Card Connectors Series

Compact flashy type II Card Stand Off 2.0mm Reserve Type



Unit: mm

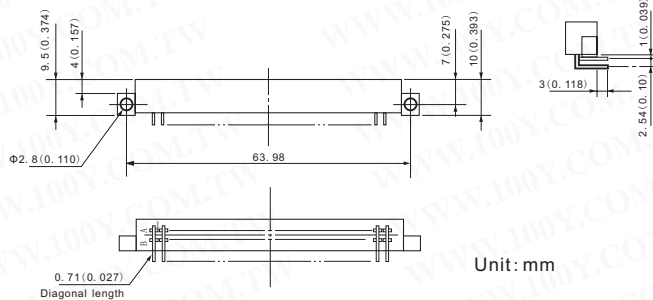
Part No.	Product No.	Manufacturer	Description	Type	Pins
14537	CFCMD-35T15W110	KINGFONT	Compact Flash Type II Stand Off 2.0mm Normal Type	0.635mm PITCH	50P



Part No.	Product No.	Manufacturer	Description
19491	CHM-6021	PLT	4P Housing
19490	CHM-6021A	PLT	4P Connector

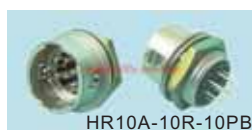


- Voltage Rating AC 250V
- Contact resistance: 15mΩ max



Unit: mm

Part No.	Product No.	Manufacturer	Description	Type	Pins
13192	FCN-3659040-AU	FUJITSU	40P 90° Double Rows Connector	90°	40P



HR10A-10R-10PB

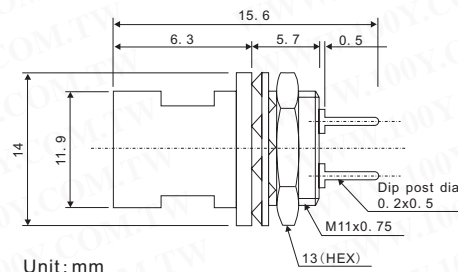


HR10A-10R-10SB



HR10A-10R-12SB

Part	Material	Finish
Shell	Zinc-alloy and brass	Satin-finished nickel plated
Insulation	Polyamide resin or PBT resin	(Blue or black)
Male terminal	Brass or bronze	Silver- or gold-plated
Female terminal	Beryllium or phosphor bronze	Silver- or gold-plated



Unit: mm

Part No.	Product No.	Manufacturer	Description	Type	Pins	Input Head/YES	Receive Head/YES
27741	HR10A-10R-10PB	HRS	CIRCULAR CONNECTOR	Solder Type	10P male	NO	YES
23323	HR10A-10R-10SB	HRS	CIRCULAR CONNECTOR	Solder Type	10P female	NO	YES
27742	HR10A-10R-12SB	HRS	CIRCULAR CONNECTOR	Solder Type	12P female	NO	YES

