



Digital Visual Interface

Detailed product specifications are available on: us.100y.com.tw

Part No.	Product No.	Description	Angle°	M/F Socket/ Head	Pins
13962	CA-24DVIPD-A	DVI PCB Mounting Connector	180°	Male	24P
13963	CA-29DVPI-A	DVI PCB Mounting Connector	180°	Female	29P



MECHANICAL

Insulator Material: Glass-filled thermoplastic, black, UL94V-0
 Shell Material: Steel
 Contact Material: Phosphor Bronze
 Contact Plating: Gold Flash

SPECIFICATIONS

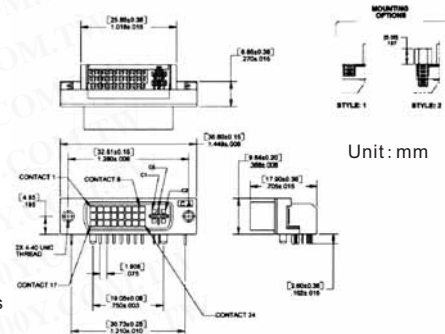
Meets: DDWG' S DVI specification

ENVIRONMENTAL

Temperature range: -20°C to +85°C

ELECTRICAL

Current Rating: 1.5AMP
 Insulation Resistance: 1000 Megohms Min
 Dielectric Withstanding: 500V AC (rms)
 Contact Resistance: 20 Milliohms max
 Consult factory for additional plating options



Unit: mm

Part No.	Product No.	Description	Angle°	M/F Socket/ Head	Pins
13961	CA-24DVISDR-A-2-Z	DVI PCB Mounting Connector	90°	Female	24P
13960	CA-29DVISIR-A	DVI PCB Mounting Connector	90°	Female	29P

Weidmuller_Fieldbus Foundation connectors FB Con

Detailed product specifications are available on: us.100y.com.tw



SPECIFICATIONS

- Operating temperature: -40°C to 85°C
- Class of protection: IP 66
- Enclosure material: high-quality aluminium alloy (AL-S112)
- Surface finish: painted, RAL 7001
- Profibus PA connection: tension spring clip, 0.5-1.5mm²
- Cable entry: M16 screwed cable gland
- Clamping range: 5.5-9.5mm
- Measuring instrument connector, M12x14-pole: 4 pole contact, brass; surface finish CuZnAu



Part No.	Product No.	Manufacturer	Description
32000	8564260000	Weidmuller	Weidmuller_Fieldbus Foundation

Other Type Connectors

Detailed product specifications are available on: us.100y.com.tw



TECHNICAL DATA

- Housing Material: Nylon, color-coded
- Contact Material: Brass, tin-plated
- Carry Capacity: according wire cross section
- Chemical properties: Has nylon solvent and chemical resistance properties

SEARCH FEATURES

- Brand: AMP
- RoHS/ELV compliance: RoHS compliant, ELV compliant
- Lead Free solder processes: Not relevant for lead free process
- Product type: cable connector/splice
- Wire range (mm [AWG]): 0.18-0.36²
- Number of tap wires: 1
- Tap wire range (mm²): 0.18-0.36



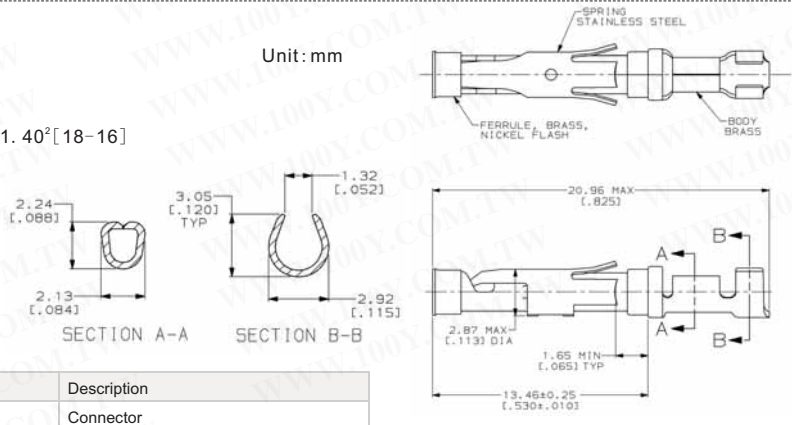
Part No.	Product No.	Manufacturer	Description	Type	Material
32107	0-0177766-1	AMP	TAP Cable Connector/Splice	Cable Connector/Splice	Nylon, Brass



SEARCHABLE FEATURES

- Pin/Socket: Socket
- High Current: No
- Packing Method: Loose Piece
- Wire Range (mm [AWG]): 0.80-1.40² [18-16]
- Contact Material: Copper Alloy
- Termination End Plating: Gold
- Product type: type III+
- Contact size: 16
- Terminate To: wire
- Insulation support: yes
- Wire termination type: solder

Unit: mm



OTHER Properties

- Pin Diameter (mm): 1.57
- Wire/ Cable type: Discrete wire
- Test Current (Amps.): 13.0
- Spring material: stainless steel
- Grade: commercial
- Used with: M series connectors, CPC connectors
- Extraction tool: 305183

Part No.	Product No.	Description
12905	0-066181-1	Connector

