



## FPC/FFC SMT90° ContactPoint Bottom Side Entry Connectors



### MATERIAL

- Housing: LCP with G. F. UL94V-0
- Actuator: PPS with GF. UL 94V-0
- Contact: phosphor bronze
- Mounting leg: brass

Detailed product specifications are available on: [us.100y.com.tw](http://us.100y.com.tw)

### FINISH

- Contact: tin/plated over nickel palting
- Mounting tab: tin/lead over nickel palting

### SPECIFICATION

- Current rating: 0.4A max
- Volotage rating: 50V max
- Dielectric withstanding voltage: 200Volts AC

Part No.	Product No.	Manufacturer	Description	Type	Contacts	Pitch (mm)
19721	47326-0342010N	TOP YANG	FPC-26 0.5 SMT Contact Point Bottom Side Entry Connector	SMT	26P	0.5



FPCTF-B50TTWC00



FPCTF-B40TTWC00

FPCTF-T50TTWC00

Part No.	Product No.	Description	Type	Contacts	Pitch (mm)
41147	FPCTF-B40TTWC00	0.5mm Pitch ZIF Mode Horizontal Type Top Entry	SMT 90°	40P	0.5
40505	FPCTF-B50TTWC00	0.5mm Pitch ZIF Mode Horizontal Type Top Entry	SMT 90°	50P	0.5
40508	FPCTF-T50TTWC00	0.5mm Pitch ZIF Mode Horizontal Type Top Entry	SMT 90°	50P TOP ENTRY TUBE	0.5

## Flat Flexible Cable



FFC-26P-1.0mm-120mmL

Detailed product specifications are available on: [us.100y.com.tw](http://us.100y.com.tw)

- Space between conductor (pic): 0.5mm, 0.8mm, 1.0mm, 1.25mm, 1.5mm, 2.0mm, 2.54mm
- Insulated material: PVC
- Operating temperature: 80°C, 105°C
- Operating voltage: 30V, 60V, ...

Part No.	Product No.	Description	Type	Contacts	Pitch/Length (mm)
40962	FFC-16P-0.5mm-200mmL	Soft ranked wire 80C/30V	F.F.C. AWM 2896	16P	0.5/200mm
40963	FFC-16P-0.5mm-250mmL	Soft ranked wire 80C/30V	F.F.C. AWM 2896	16P	0.5/250mm
40964	FFC-16P-0.5mm-300mmL	Soft ranked wire 80C/30V	F.F.C. AWM 2896	16P	0.5/300mm
17131	FFC-16P-1.0mm-220mmL	F.F.C Wire 80C/30V	F.F.C. AWM 2896	16P	1.0/220mm
40959	FFC-20P-0.5mm-200mmL	Soft ranked wire 80C/30V	F.F.C. AWM 2896	20P	0.5/200mm
40960	FFC-20P-0.5mm-250mmL	Soft ranked wire 80C/30V	F.F.C. AWM 2896	30P	0.5/100mm
40961	FFC-20P-0.5mm-300mmL	Soft ranked wire 80C/30V	F.F.C. AWM 2896	20P	0.5/300mm
17132	FFC-20P-1.0mm-220mmL	F.F.C Wire 80C/30V	F.F.C. AWM 2896	20P	1.0/220mm
36449	FFC-20P-1.0mm-400mmL	Soft ranked wire	F.F.C. AWM 2896	20P	1.0/400mm
39458	FFC-20P-1.0mm-500mmL	Soft ranked wire	F.F.C. AWM 2896	20P	1.0/500mm
17129	FFC-24P-0.5mm-220mmL	F.F.C Wire 80C/30V	F.F.C. AWM 2896	24P	0.5/220mm
17128	FFC-24P-0.5mm-250mmL	F.F.C Wire 80C/30V	F.F.C. AWM 2896	24P	0.5/250mm
22757	FFC-24P-0.5mm-350mmL	F.F.C Wire 80C/30V	F.F.C. AWM 2896	24P	1.0/350mm
20485	FFC-26P-1.0mm-120mmL	F.F.C Wire 80C/30V	F.F.C. AWM 2896	16P	1.0/120mm
23307	FFC-30P-0.5mm-100mmL	F.F.C Wire 80C/30V	F.F.C. AWM 2896	30P	1.0/100mm
17127	FFC-30P-0.5mm-250mmL	F.F.C Wire 80C/30V	F.F.C. AWM 2896	30P	0.5/250mm
41207	FFC-30P-0.5mm-40mmL	Soft ranked wire 30P-0.5mm-40mmL	F.F.C. AWM 2896	30P	0.5mm
17130	FFC-50P-0.5mm-200mmL	F.F.C Wire 80C/30V	F.F.C. AWM 2896	50P	0.5/200mm
28831	FFC-50P-0.5mm-200mmL	F.F.C Wire 80C/30V	F.F.C. AWM 2896	50P	0.5/200mm
15920	HV4*030A03000MM	Floppy Disk Drive Cable	FFC	30P	1.25mm

## Digital Visual Interface Digital Visual Interface



CA-24DVIPD-A



CA-29DVIPD-A

### MECHANICAL

Insulator Material: Glass-filled thermoplastic, black, UL94V-0  
Shell Material: Steel  
Contact Material: Brass  
Contact Plating: Gold Flash

### SPECIFICATIONS

Meets: DDWG' S DVI specification

### ENVIRONMENTAL

Temperature range: -20°C to +85°C

### ELECTRICAL

Current Rating: 1.5AMP

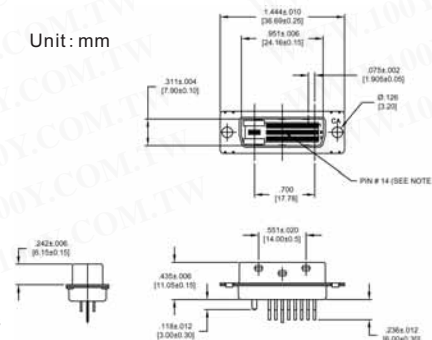
Insulation Resistance: 1000 Megohms Min

Dielectric Withstanding: 500V AC (rms)

Contact Resistance: 20 Milliohms max

Consult factory for additional plating options

Unit: mm



T E L : Taiwan: 886-3-5753170  
F A X : Taiwan: 886-3-5753172  
E-mail : Taiwan: [us\\_sale@100y.com.tw](mailto:us_sale@100y.com.tw)

Shenzhen: 86-755-83298787  
Shenzhen: 86-755-83640655  
Shenzhen: 100y@163.com

Shanghai: 86-21-54151736  
Shanghai: 86-21-64605107  
Shanghai: 100y-1@163.com