



FPC/FFC Connctors & Wires FPC/FFC SMT90° Contact Point Top Side Entry Connectors

Detailed product specifications are available on: us.100y.com.tw



SPECIFICATION

- Rated current: 0.3A/terminal (max. 5A at total terminal)
- Rated voltage: 60V AC/DC
- Insulation resistance: Min, 1,000MΩ (initial)
- Breakdown voltage: 150V AC for 1min
- Contact resistance: min, 90mΩ

Part No.	Product No.	Manufacturer	Description	Type	Contacts	Pitch (mm)
41500	AXK7L60227G	Panasonic	NARROW-PITCH CONNECTORS FOR BOARD-TO-FPC CONNECTION	socket	60	0.4mm



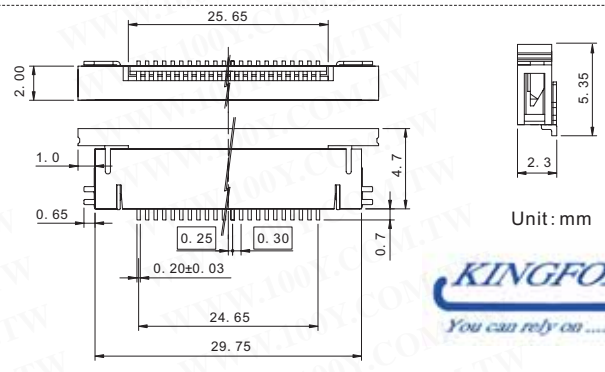
SPECIFICATIONS

Material & Finish

- Housing Material: Nylon 6T UL94V-0
Color: black
- Slider: PPA UL94V-0/Color: White

Electrical Performance

- Rated current: 0.5A
- Rated voltage: 50VDC
- Contact resistance: 30Ω max
- Insulation resistance: 100MΩ min
- Dielectric withstanding voltage: AC 250V/60sec
- Operating temperature: -30°C to +85°C



FPCTF-T50T1B000

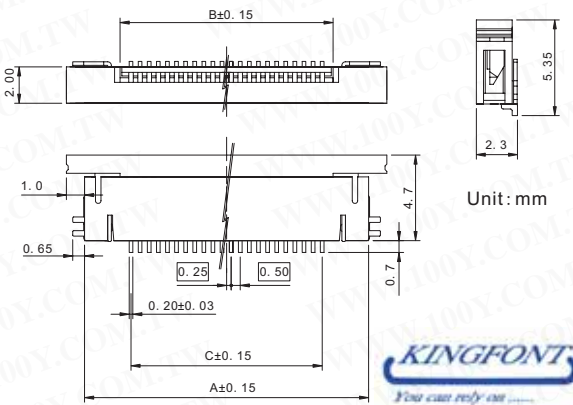
Part No.	Product No.	Manufacturer	Description	Type	Contacts	Pitch (mm)
29220	FPCTF-T16T1W000	KINGFONT	0.5mm Pitch ZIF Mode Horizontal Type Top Entry	SMT 90°	16P	0.5
29221	FPCTF-T20T1W000	KINGFONT	0.5mm Pitch ZIF Mode Horizontal Type Top Entry	SMT 90°	20P	0.5
29222	FPCTF-T24T1W000	KINGFONT	0.5mm Pitch ZIF Mode Horizontal Type Top Entry	SMT 90°	24P	0.5
18805	FPCTF-T26T1W000	KINGFONT	0.5mm Pitch ZIF Mode Horizontal Type Top Entry	SMT 90°	26P	0.5
29223	FPCTF-T30T1W000	KINGFONT	0.5mm Pitch ZIF Mode Horizontal Type Top Entry	SMT 90°	30P	0.5
12855	FPCTF-T50T1B000	KINGFONT	0.5mm Pitch ZIF Mode Horizontal Type Top Entry	SMT 90°	50P	0.5

FPC/FFC SMT90° Contact Point Bottom Side Entry Connectors

Detailed product specifications are available on: us.100y.com.tw



NO. OF CONTACT	DIM. A	DIM. B	DIM. C
16	12.6	8.5	7.5
20	14.6	10.5	9.5
24	16.6	12.5	11.5
26	17.6	13.5	12.5
30	19.6	15.5	14.5
50	29.6	25.5	24.5



- Rated current: 0.5A
- Rated voltage: 50VDC
- Contact resistance: 30Ω max (at 20m VDC, 100mA max)
- Insulation resistance: 1000MΩ min. (at 500VDC)
- Dielectric withstanding voltage: AC 250V/60sec (Leak current must be 1mA max.)
- Operating temperature: -30°C to +85°C

Part No.	Product No.	Manufacturer	Description	Type	Contacts	Pitch (mm)
12726	FPCTF-B16T1B000		FPC ZIF SMT 90° Side Entry Connector	SMT 90°	16P--Side Entry Connector	0.5mm
12732	FPCTF-B20T1W000		FPC ZIF SMT 90° Side Entry Connector	SMT 90°	20P--Side Entry Connector	0.5mm
12731	FPCTF-B24T1B000		FPC ZIF SMT 90° Side Entry Connector	SMT 90°	24P-- Side Entry Connector	0.5mm
12733	FPCTF-B26T1W000		FPC ZIF SMT 90° Side Entry Connector	SMT 90°	26P-- Side Entry Connector	0.5mm
12544	FPCTF-B30T1B000		FPC ZIF SMT 90° Side Entry Connector	SMT 90°	30P Side entry Connector	0.5
29273	FPCTF-B30T1W000	KINGFONT	0.5mm Pitch ZIF Mode Horizontal Type Top Entry	SMT 90°	30P	0.5
38712	FPCTF-B32T1W000	KINGFONT	0.5mm Pitch ZIF Mode Horizontal Type Top Entry	SMT 90°	32P	0.5
35713	FPCTF-B33T1W000	KINGFONT	0.5mm Pitch ZIF Mode Horizontal Type Top Entry	SMT 90°	33P	0.5
22559	FPCTF-B33T1WC00		FPC ZIF SMT 90° Side Entry Connector	SMT 90°	33P Side entry Connector	0.5
12854	FPCTF-B50T1B000		FPC ZIF SMT 90° Side Entry Connector	SMT 90°	50P- Side Entry Connector	0.5
29274	FPCTF-B50T1W000	KINGFONT	0.5mm Pitch ZIF Mode Horizontal Type Top Entry	SMT 90°	50P	0.5

