



## USB Connector Series

Detailed product specifications are available on: [us.100y.com.tw](http://us.100y.com.tw)

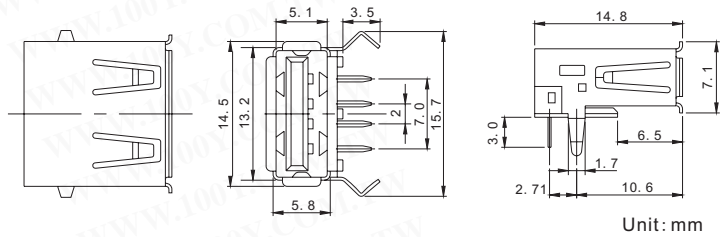


**MATERIAL**

- Housing: thermoplastic, UL94V-0 standard nylon 66
- Contact: phosphor bronze

**SPECIFICATION**

- Current rating: 1Amp
- Insulation resistance: 1,000 Megohms min
- Contact resistance: 20 millionms max
- Dielectric withstanding voltage: 500 VAC
- Temperature: -40°C~+105°C



Part No.	Product No.	Description
2353	USBAS-00401W003	USB CONN 4P A Type

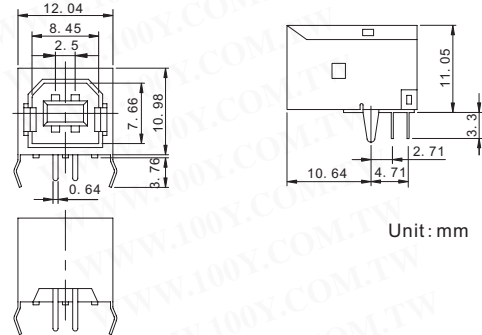


**MATERIAL**

- Housing: thermoplastic, UL94V-0
- Contact: copper alloy
- Shell: copper alloy, 100u" tin plated

**SPECIFICATION**

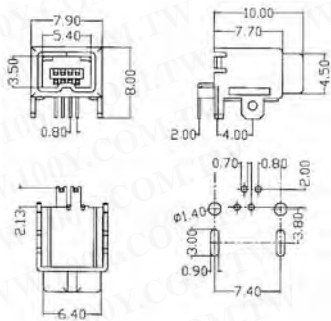
- Voltage: 30VAC (R. M. S)
- Current: 1.0A max. per pin
- Temperature: -55°C~+85°C
- Contact resistance: 30 millionhms max
- Insulation resistance: 1,000 megohms min
- Dielectric withstanding voltage: 500 VAC



Part No.	Product No.	Description
39295	USBBS-00401W003-G	USB CONN 4P B Type-RoHS

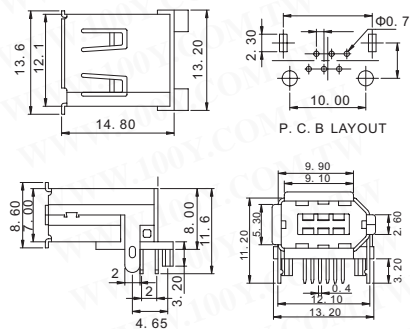
## IEEE 1394 Connector Series

Detailed product specifications are available on: [us.100y.com.tw](http://us.100y.com.tw)



- Voltage: 5.0V
- Current: 0.5A
- Contact resistance: terminal-50MΩ max
- Shell: 50mΩ max
- Temperature: -25°C to 85°C degrees C

Part No.	Product No.	Description
13965	312-SO4CR2	IEEE 1394 4PIN Socket SMT SMT



**MATERIAL**

- Shell: copper alloy
- Housing: thermoplastic UL94V-0 rated
- Contact: bronze

**ELECTRICAL CHARACTERISTICS**

- Current rating: 1Amp
- Insulation resistance: 1000 Megohms min  
500V DC for 1 minute
- Contact resistance: 20 millionhms max
- Dielectric withstanding: AC 500V for 1 minutes
- Operating temperature: -40°C to +105°C



Part No.	Product No.	Description
12082	IEECR-00603B003	IEEE-1394 DIP 6P 30u" GOLD PLATING

- We provide a wide range of products to development and maintenance engineers in all type of business
- If you cannot find the components you want on the catalogue, please call us.



Taiwan: 886-3-5753170

Shanghai: 021-54151736 Shenzhen: 0755-83298787

**Centenary Materials**

Waiting for your phone call



T E L : Taiwan: 886-3-5753170  
F A X : Taiwan: 886-3-5753172  
E-mail : Taiwan: us\_sale@100y.com.tw

Shenzhen: 86-755-83298787  
Shenzhen: 86-755-83640655  
Shenzhen: 100y@163.com

Shanghai: 86-21-54151736  
Shanghai: 86-21-64605107  
Shanghai: 100y-1@163.com